

# Rotary Joints



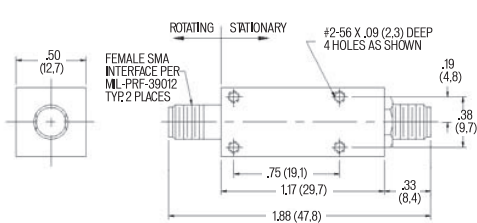
- Miniature, In-line
- Designed for MIL-E-5400 Class II
- Power: Average 100 watts at 1 GHz / Peak 500 watts

Part Number	Frequency (GHz)	Connectors	VSWR <sup>2</sup> Max. @ f(GHz)	Insertion Loss Max. (dB)	Starting Torque Max. (oz.-in.)	Continuous Rotational Speed (rpm)	Max. DC Current (Amps)	Outline
345	DC-18	SMA	1.20:1 (DC-10 GHz) 1.35:1 (10-18 GHz)	0.2	1.5	100	5	A
345W <sup>1</sup>		SMA		0.5	7.0	100	5	A
345C <sup>1</sup>		SMA		0.5	7.0	100	5	B
345F <sup>1</sup>		SMA		0.5	7.0	100	5	C
351	DC-40	2.92 mm <sup>3</sup>	1.30:1 (DC-10 GHz) 1.45:1 (10-20 GHz) 1.60:1 (20-30 GHz) 1.75:1 (30-40 GHz)	0.1 + 0.015f	5.0	250	3	D

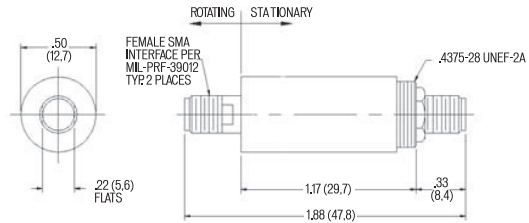
<sup>1</sup> Weatherized version.

<sup>2</sup> WOW (max. VSWR/min. VSWR) is 1.02 max. per 360°.

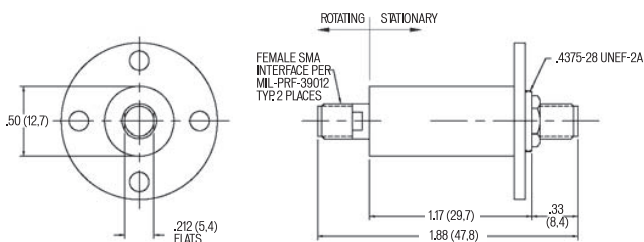
<sup>3</sup> 2.92 mm connectors compatible with standard SMA connectors.



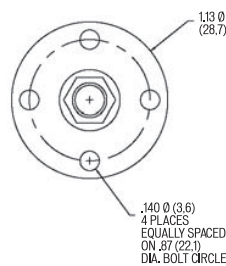
**A**



**B**



**C**



**D**

All dimensions shown in decimal inches (mm). Specifications subject to change without notice.  
For mounting instructions, additional specifications or other products, visit us online or contact the factory.

# Rotary Joints *continued*

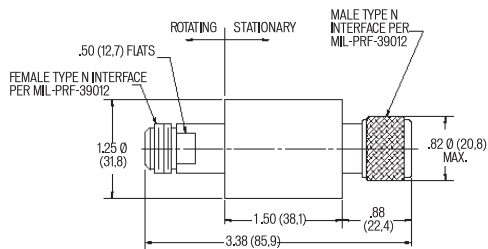


- Miniature, In-line
- Designed for MIL-E-5400 Class II
- Power: Average 100 watts at 1 GHz / Peak 10 kilowatts  
Except 344AF: 100 watts @ 18 GHz Average Power and 6 kwatts Peak

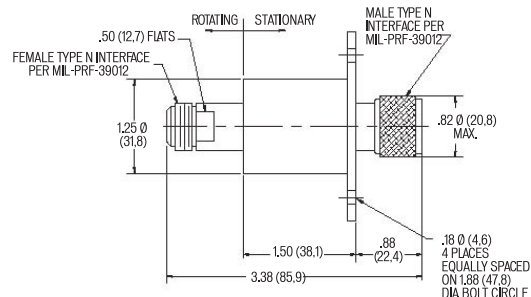
Part Number	Frequency (GHz)	Connectors	VSWR <sup>2</sup> Max. @ f(GHz)	Insertion Loss Max. (dB)	Starting Torque Max. (oz.-in.)	Continuous Rotational Speed (rpm)	Max. DC Current (Amps)	Outline
305W	DC - 12.4	N	1.15:1 (DC-6 GHz)	0.1 + 0.015f	8	500	10	E
305WF	DC - 12.4	N	1.30:1 (6-10 GHz)		8	500	10	F
344	DC - 12.4	N	1.50:1 (10-12.4 GHz)		7	500	10	G
344F	DC - 12.4	N			7	500	10	H
344AF	DC - 18	TNC	1.50:1 <sup>1</sup>	1.0	7	500	10	I

<sup>1</sup> WOW (max. VSWR/min. VSWR) is 1.02 max. per 360°

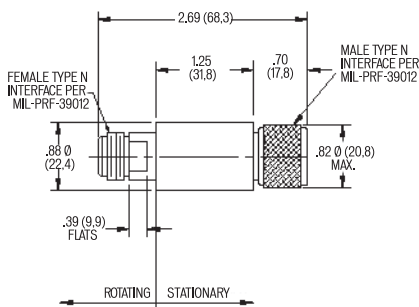
<sup>2</sup> WOW (max. VSWR/min. VSWR) is 1.01 max per 360°



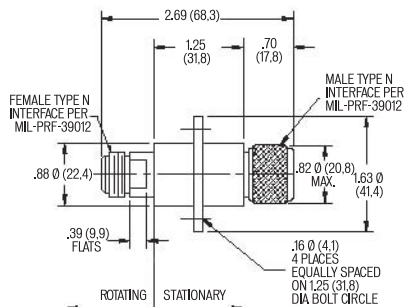
**E**



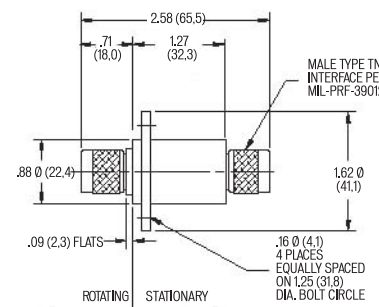
**F**



**G**



**H**



**I**

All dimensions shown in decimal inches (mm). Specifications subject to change without notice.  
 For mounting instructions, additional specifications or other products, visit us online or contact the factory.

Rev: 11/12/13