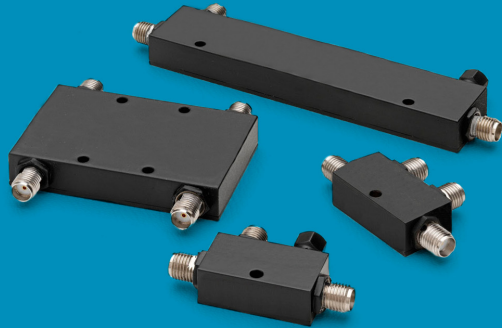


# Quadrature Hybrid Multi-Octave Band, 3 dB



- Up to 18:1 Bandwidths
- Models from .5 to 18 GHz
- SMA Connectors
- Meet MIL-E-5400 Class 3 or Equivalent
- Screenable to MIL-P-23971 or Equivalent

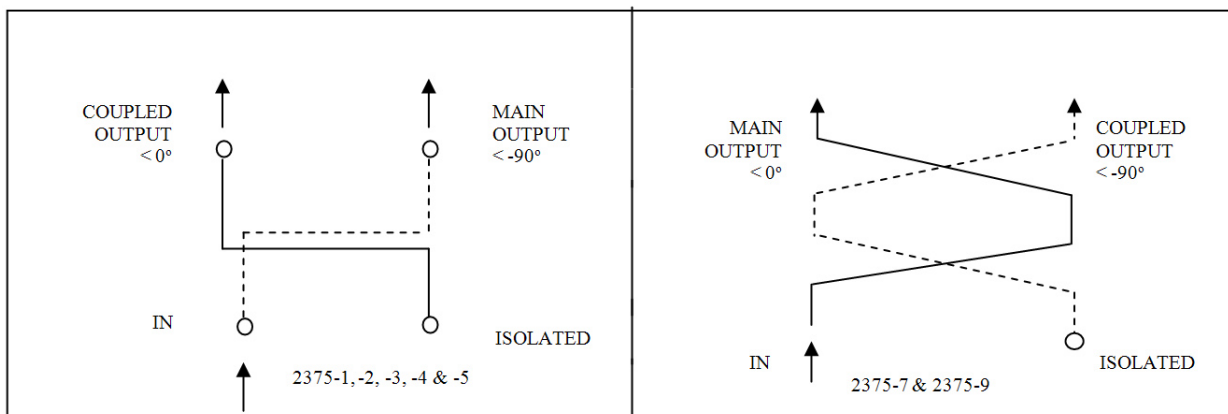
Frequency (GHz)	Loss <sup>1</sup> max (dB)	Unbalance <sup>2</sup> max (dB)	VSWR max	Isolation min (dB)	Deviation from Phase Quadrature typ	Model Number
.5 - 2.0	.40	1	1.15	24	± 2°	2375-1
1.0 - 4.0	.40	1	1.25	22	± 3°	2375-2
2.0 - 8.0	.40	1	1.30	20	± 5°	2375-3
4.0 - 12.4	.40	1	1.35	18	± 5°	2375-4
6.5 - 18.0	.60	1	1.35	16	± 4°	2375-5
1.0 - 18.0	.80 <sup>3</sup>	2.2	1.50	15	± 10°	2375-6
2.0 - 18.0	.60 <sup>4</sup>	2.2	1.45	20 <sup>5</sup>	± 8°	2375-7

Average power rating 50 watts, normalized at 1 GHz, 1.5 kW peak.

**NOTES:**

- <sup>1</sup> Maximum loss is the actual dissipative loss and reflective loss due to VSWR. It does not include coupling loss.
- <sup>2</sup> Unbalance is measured as the difference between the coupled and mainline output ports from the mean coupling at each frequency.
- <sup>3</sup> 1.2 dB 6-12 GHz...1.6 dB 12-18 GHz
- <sup>4</sup> 1 dB loss 6-12.4 GHz...1.25 dB loss 12.4-18 GHz
- <sup>5</sup> 16 dB minimum from 12.4-18 GHz

## Configurations



# Outline Drawings

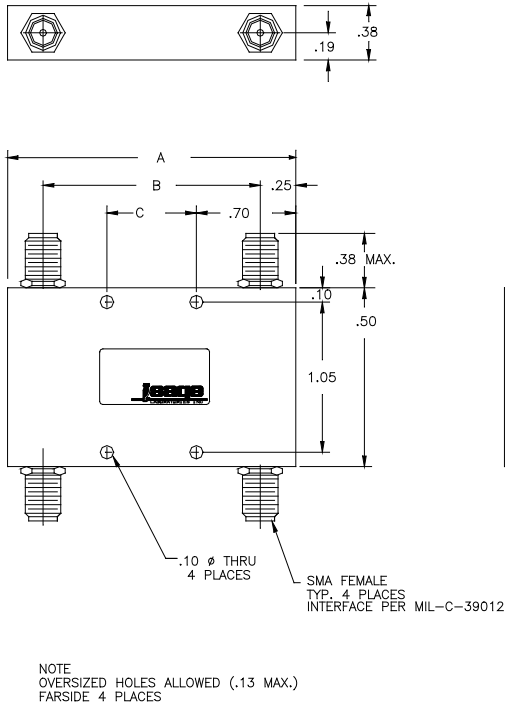


Figure 1

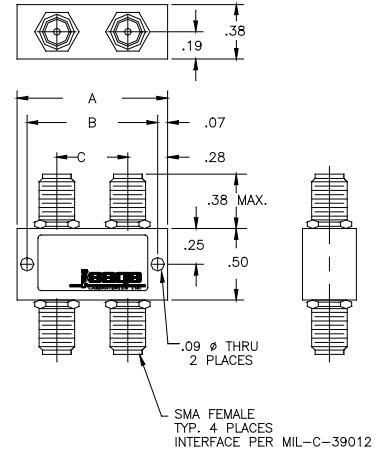


Figure 2

Model Numbers	See Figure	Dimensions (See Drawing)						Weights	
		A'	A (cm)	B"	B (cm)	C"	C (cm)	Ounces	Grams
.5 - 2.0	2	5.36	(13,61)	5.22	(13,26)	4.80	(12,19)	2.1	59
1.0 - 4.0	2	2.97	(7,54)	2.83	(7,19)	2.41	(6,12)	1.4	40
2.0 - 8.0	2	1.78	(4,52)	1.64	(4,17)	1.22	(3,10)	1.2	34
4.0 - 12.4	2	1.31	(3,33)	1.17	(2,97)	.75	(1,91)	0.7	20
6.5 - 18.0	2	1.06	(2,69)	.92	(2,34)	.50	(1,27)	0.5	14
1.0 - 18.0	1	2.53	(6,43)	2.03	(5,16)	1.13	(2,87)	2.3	65
2.0 - 18.0	1	2.03	(5,16)	1.53	(3,89)	.63	(1,60)	2.0	57

## MISCELLANEOUS

- <sup>1</sup> API Technologies "Standard Warranty and Order Terms and Conditions" apply to all orders.
- <sup>2</sup> All specifications subject to change without notice.
- <sup>3</sup> Check "Ordering and Availability Listing" for delivery and ordering information.
- <sup>4</sup> Contact our local Manufacturers Representative for pricing.