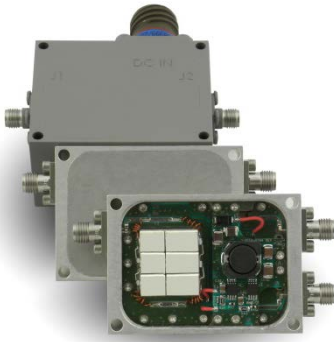


## Pre-Filtered GPS LNA (Low Noise Amplifier)

Designed to amplify GPS signals while protecting the GPS receiver by filtering out interferers



### Features

- Pre-Filtered
- Low Noise Figure, 1.8 dB Typical
- Wide Input Voltage Range
- Tested to many MIL-STD-810 & MIL-STD-461 Requirements
- Small Lightweight Hermetic Package
- Contact factory for custom configurations

### Applications

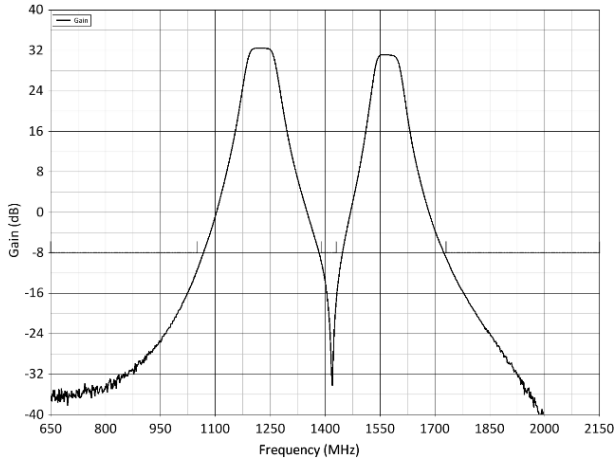
- Inline Booster
- Satellite Navigation
- Avionics
- Marine Navigation
- Survey/Mapping
- Military

The 312 series pre-filtered GPS LNA module is designed to amplify GPS signals while protecting the front end of the GPS receiver by filtering out interferers from an increasingly crowded EM spectrum. The module leverages API Technologies' core competencies in low-loss filter, amplifier and mechanical design that results in a module that maximizes out of band rejection while minimizing system noise figure and maintaining a small size. The pre-filtered GPS LNA is offered in a wide range of performance options including GPS band configuration, gain level, supply voltage, multiple outputs and input and output connectors.

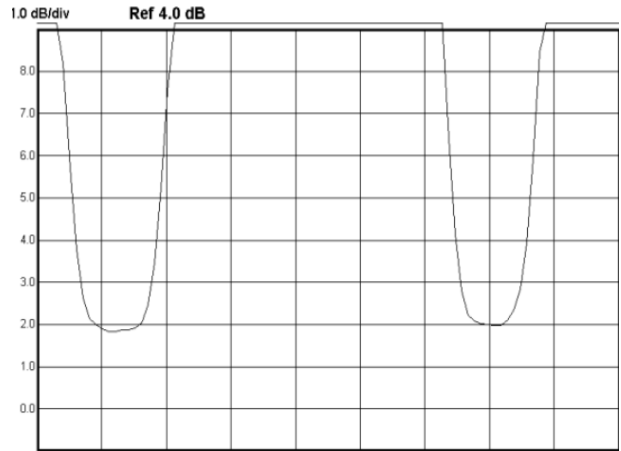
Parameter				Typical						Units			
Frequency Range				L1, L1/L2, L1/L5, L1/(L2-L5)						N/A			
Gain $\pm$ 3dB				16	19	22	25	28	31	34	37	40	dB
Input P1dB				-7	-7	-7	-7	-8	-8	-9	-12	-15	dBm
Output IP3				+4	+7	+10	+12	+15	+17	+19	+20	+20	dBm
				Minimum		Typical		Maximum					
Noise Figure						1.8		2.5		dB			
Rejection										dBc			
L1	L2	L5	(L2-L5)	-40		-45							
$f \leq 1410$ MHz	$f \leq 1050$ MHz	$f \leq 1050$ MHz	$f \leq 1050$ MHz										
$f \geq 1730$ MHz	$f \geq 1410$ MHz	$f \geq 1280$ MHz	$f \geq 1410$ MHz										
Input Return Loss				-9.5		-17.7				dB			
Output Return Loss				-9.5		-14.0				dB			
Group Delay Variation						$\pm 2.0$				ns			
Supply Voltage										VDC			
Standard				+4.8						+36			
Low-Voltage				+3.0						+5			
Supply Current (Icc)										mA			
$\leq 25$ dB Gain Option						50				55			
$\geq 28$ dB Gain Option						68				75			

## Typical Performance Graphs

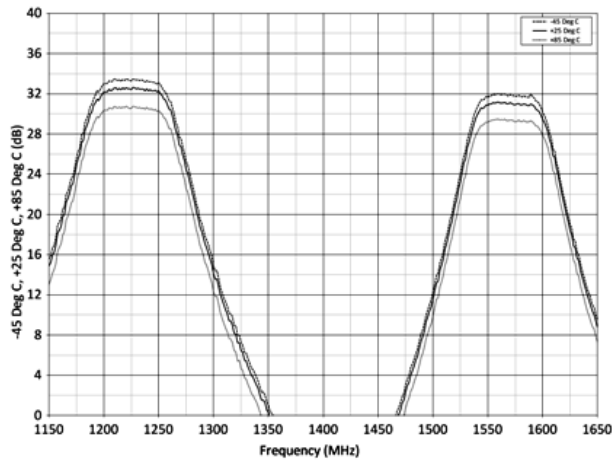
### Gain



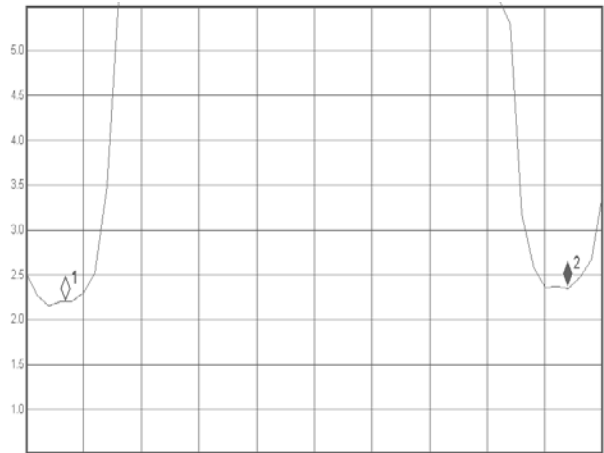
### Noise Figure at +25°C



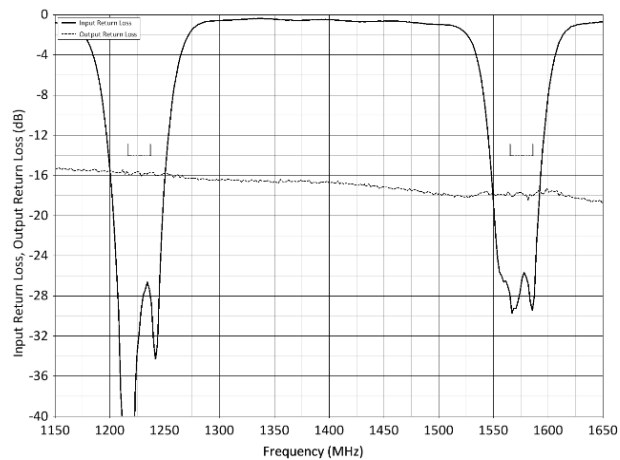
### Gain Variation over Temperature



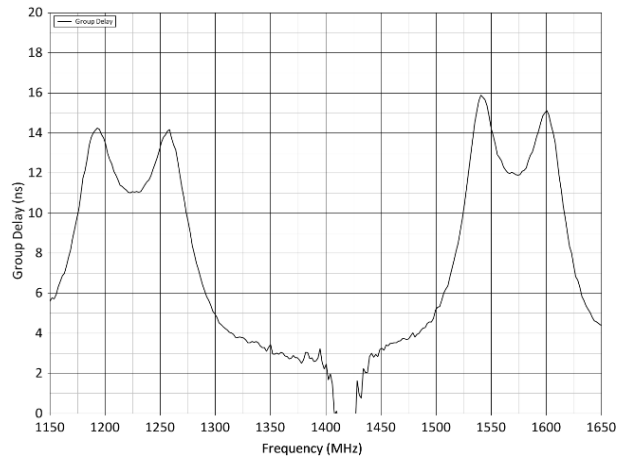
### Noise Figure at +85°C



### Return Loss



### Group Delay

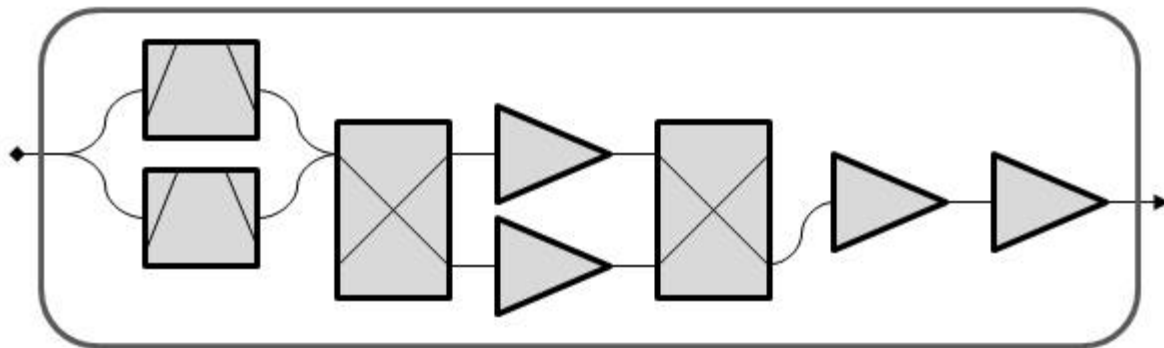


## Environmental Conditions

Acceleration	MIL-STD-810D	Method 513.3 Helicopter Category
Altitude	MIL-STD-810F	Method 500.4 Class II
Shock	MIL-STD-810F MIL-STD-810D	Method 516.5 Procedures I, V, VI Method 416.5 Procedure V
Vibration	MIL-STD-810F	Method 514.6 Procedure I, Categories 13 (Propeller) & 14 (Helicopter)
Explosive Atmosphere	MIL-STD-810F	Method 511.4 Procedure I
Humidity	MIL-STD-810F	Method 507.4 Figure 507.4-1
Salt Fog	MIL-STD-810D	Method 509.2
Sand and Dust	MIL-STD-810F	Method 510.4 Procedures I, II
Electrical Bonding	MIL-STD-464	Section 5.10
Electrostatic Discharge ESD <sup>1</sup>	DO-160D	Section 25
Indirect Lightning Strike <sup>1</sup>	DO-160D	Section 22, Waveforms K & WF3
EMI	MIL-STD-461E	CE101, CE102, CE106, CS101, CS103, CS104, CS105, CS114, CS115, CS116, RE101, RE102, RS101, RS103 <sup>2</sup>

1. Conditions met only with coaxially biased option.

## Functional Block Diagram



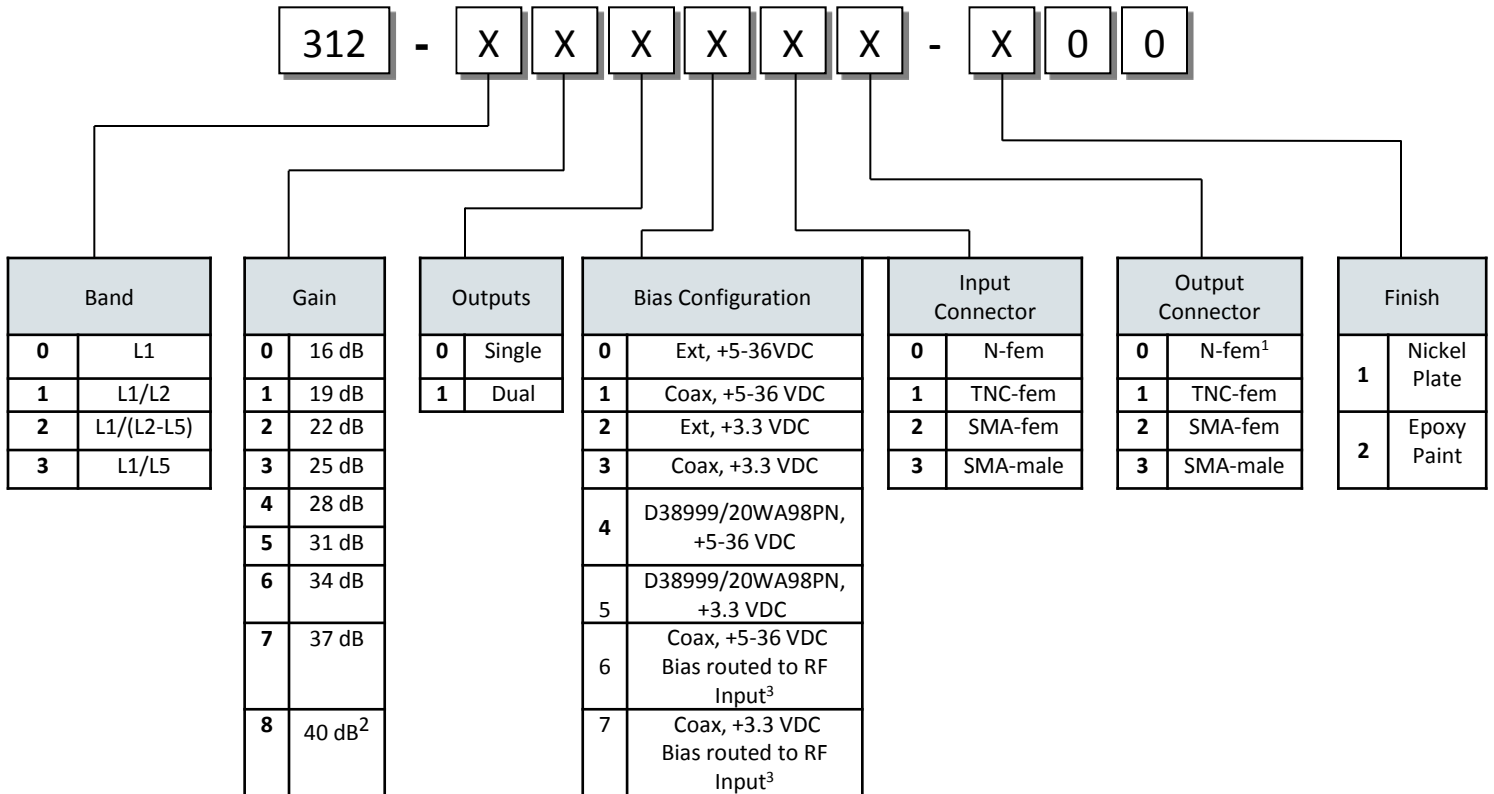
## Absolute Maximum Ratings

Supply Voltage	+5-36 VDC +3.3 VDC	+40 VDC +6 VDC
RF Input Power, CW		+5 dBm
Storage Temperature		-40 to +125 °C
Operating Temperature		-40 to +85 °C
ESD Sensitivity		Class 1B



**ELECTROSTATIC SENSITIVE  
DEVICE. OBSERVE PROPER  
HANDLING PRECAUTIONS**

## Ordering Information



<sup>1</sup> Dual output configuration is not available with Type-N RF connectors in standard package

<sup>2</sup> 312-X81XXX-X00 40 dB gain, dual output model is not available

<sup>3</sup> This bias option presents the supplied DC input voltage to the center pin of the RF input connector. This option is useful in applications where the user desires to source current to devices before the GPS LNA. The maximum current that can be sourced to the center pin using this option is 150 mA

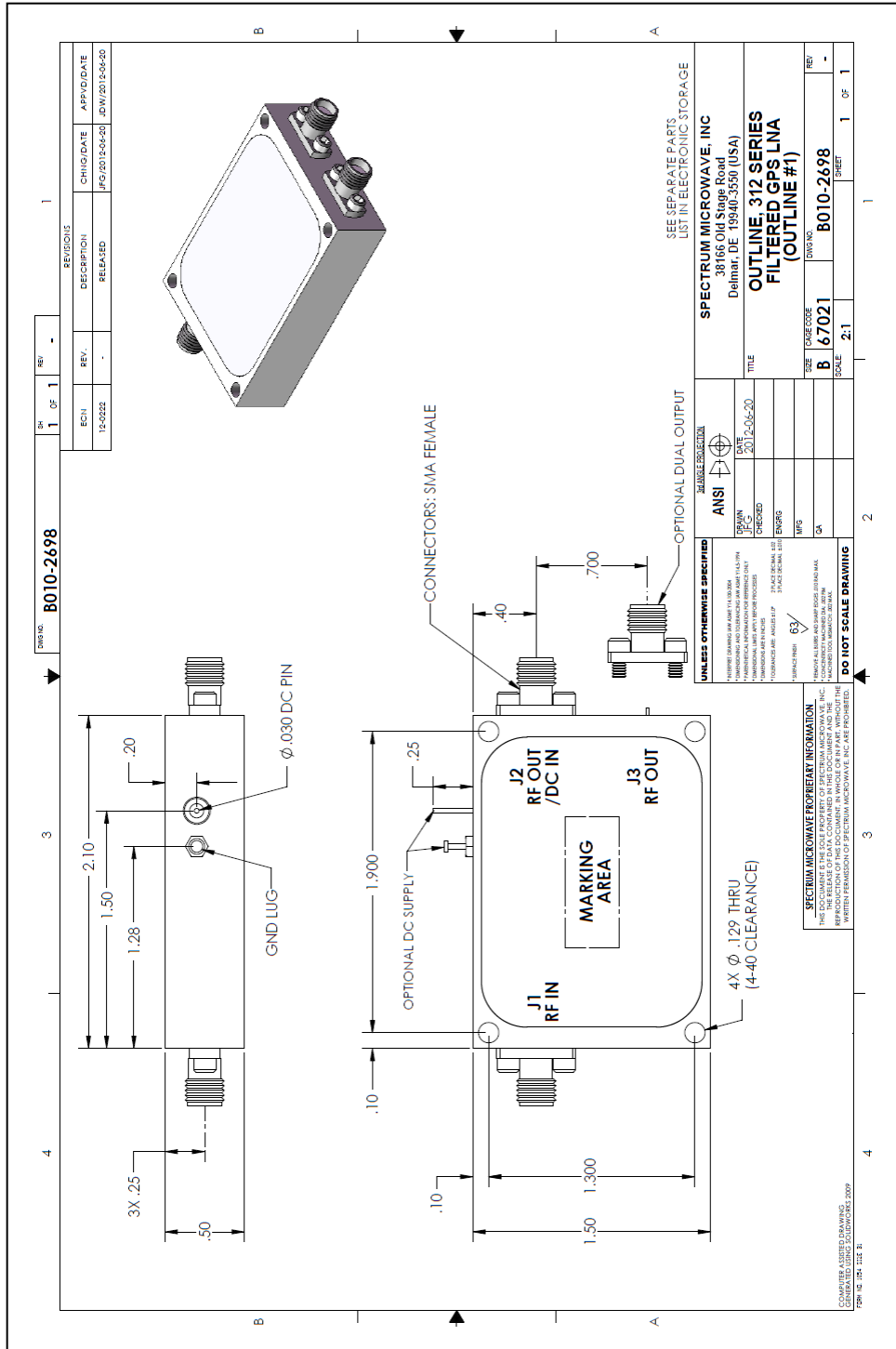
## Outline Information

Outline	Bias Configuration	Input / Output Connectors	Notes
Outline 1	0,1,2,3	2	All bias configurations except 4 with SMA Female RF connector types
Outline 2	0,1,2,3	0,1,3	All bias configurations except 4 with TNC Type N, or SMA Male RF connector types
Outline 3	4	All	Bias configuration 4 with all RF connector types

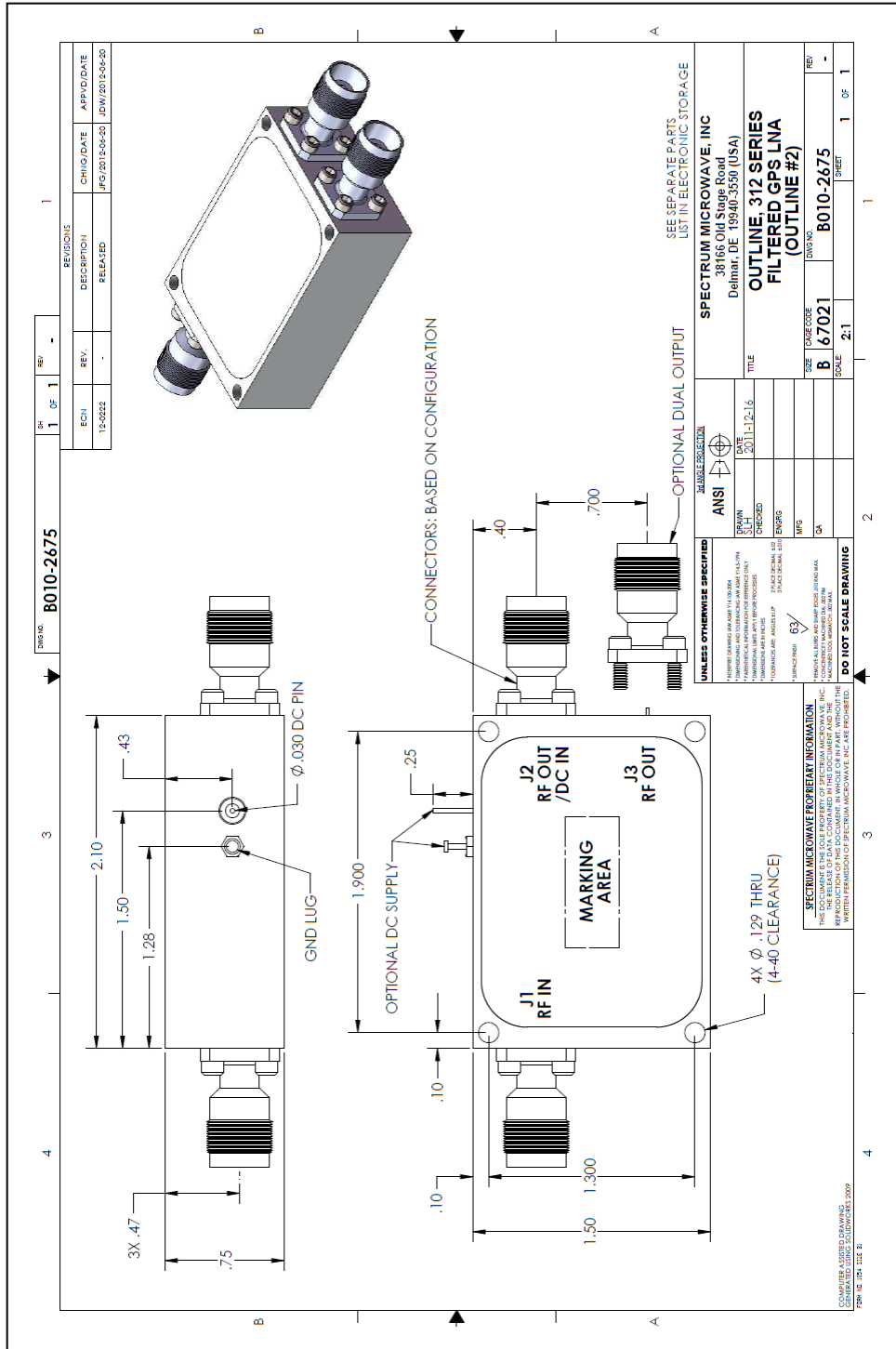
*Specifications are subject to change without notice*

## Outline Drawing 1

Weight: 47 grams typical



Outline Drawing 2



## Outline Drawing 3

