

RF AMPLIFIER

MODEL *BXMP1002*

Medium Power Amplifier

Available as: FPMP1002, 4 Pin .5" Sq. Flatpack
 WPMP1002, 8 Pin .5" Sq. Surface Mount - Gullwing
 BXMP1002, SMA Connectorized Housing

Features

- High Output Power: +30.5 dBm Typical
- High Third Order Intercept: +45 dBm Typical
- Operating Temp. - 55 °C to +85 °C
- Environmental Screening Available

Typical Intermodulation Performance at 25 °C

Second Order Harmonic Intercept Point +60 dBm (Typ.)
 Second Order Two Tone Intercept Point +54 dBm (Typ.)
 Third Order Two Tone Intercept Point +45 dBm (Typ.)

Specifications

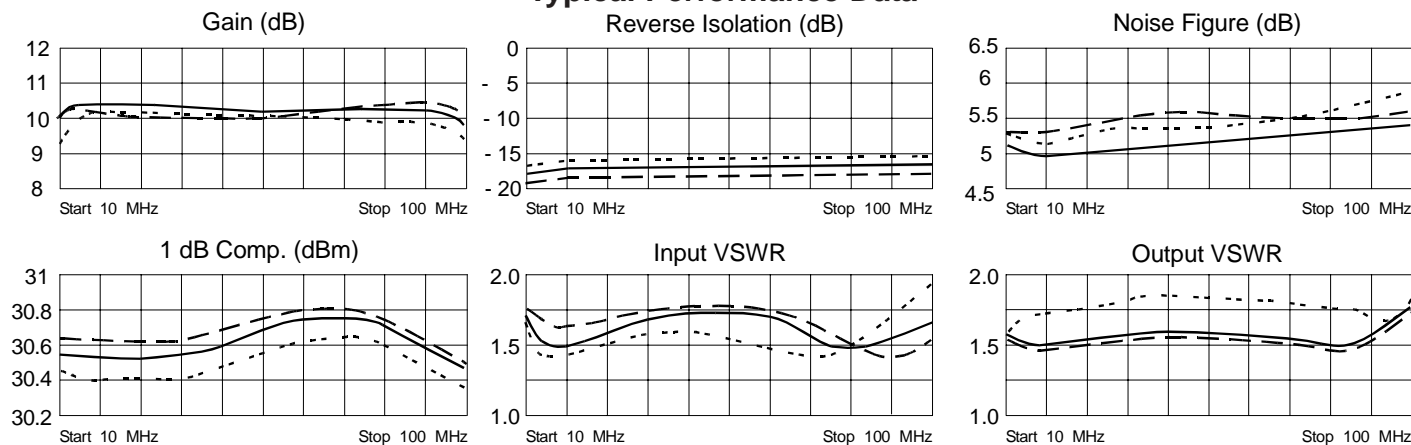
CHARACTERISTIC	TYPICAL Ta= 25 °C	MIN/MAX Ta = -55 °C to +85 °C
Frequency	10 - 100 MHz	10 - 100 MHz
Gain (dB)	10	8.5
Power @ 1 dB Comp. (dBm)	+30.5	+30 Min.
Reverse Isolation (dB)	-17	-16 Max.
VSWR In	1.8:1	2.0:1 Max.
Out	1.8:1	2.0:1 Max.
Noise figure (dB)	5.5	6.0 Max.
Power Vdc	+15	+15
mA	320	365

Maximum (No Damage) Ratings

Ambient Operating Temperature -55°C to + 100 °C
 Storage Temperature -62°C to + 125 °C
 Case Temperature + 125 °C
 DC Voltage + 18 Volts
 Continuous RF Input Power + 20 dBm
 Short Term RF Input Power 500 Milliwatts (1 Minute Max.)
 Maximum Peak Power 0.5 Watt (3 µsec Max.)

Note: Care should always be taken to effectively ground the case of each unit.

Typical Performance Data



Legend ——— + 25 °C - - - - + 85 °C ······ -55 °C



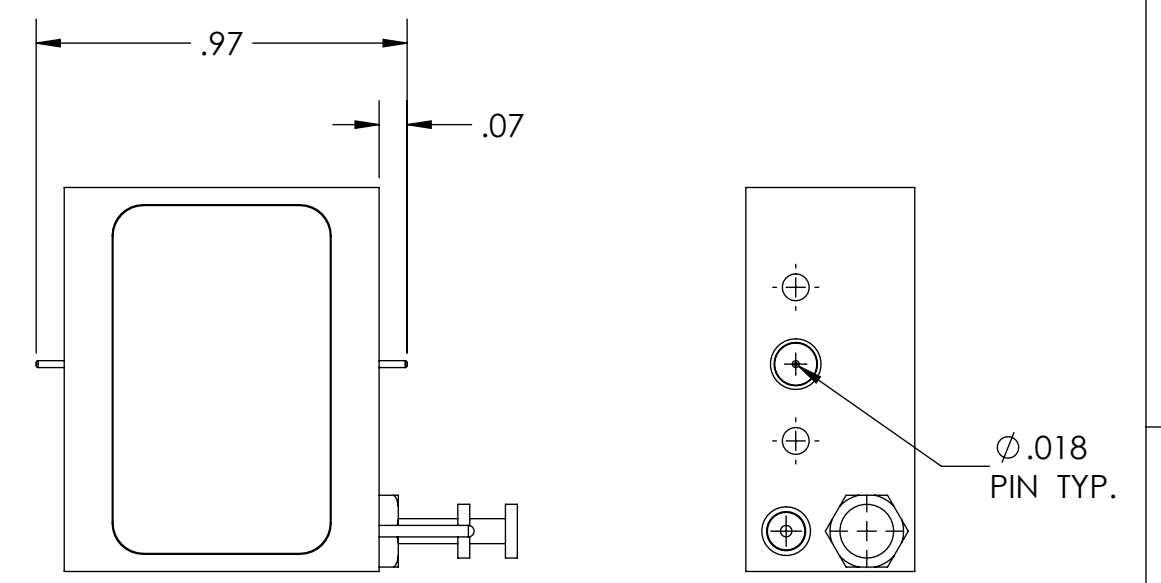
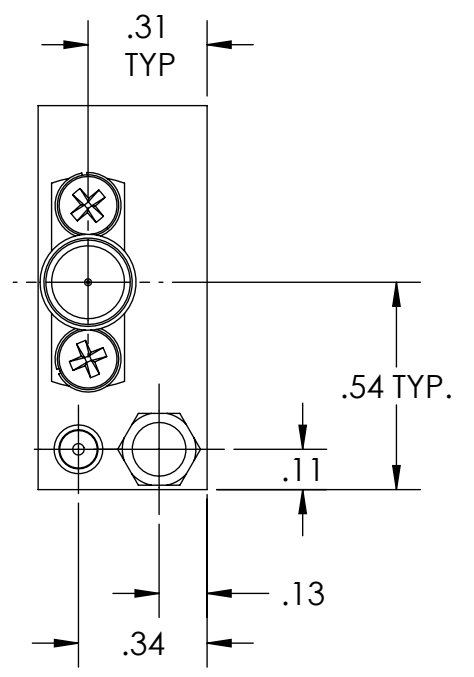
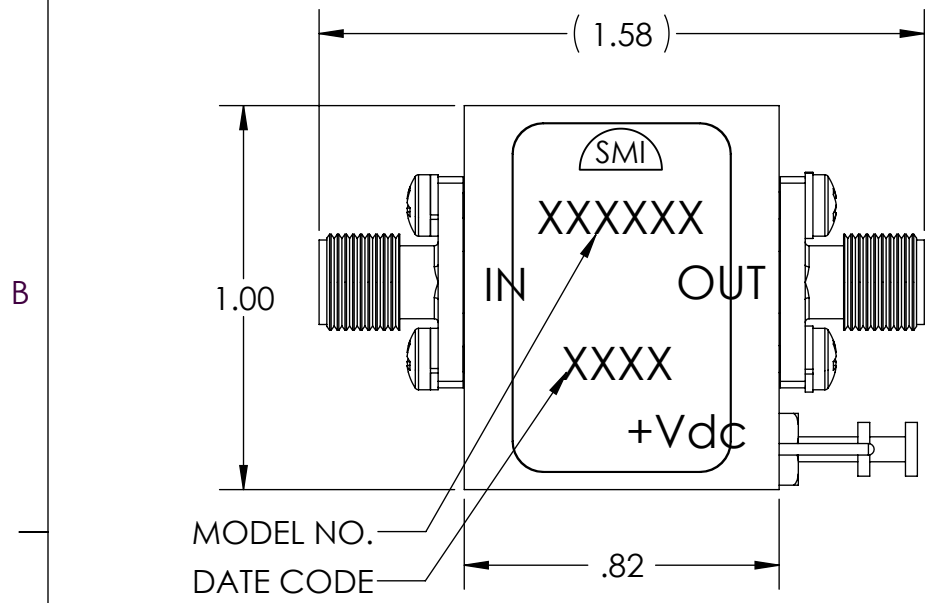
Spectrum Microwave · 2144 Franklin Drive N.E. · Palm Bay, Florida 32905 · PH (888) 553-7531 · Fax (888) 553-7532

www.spectrummicrowave.com Spectrum Microwave (Europe) · 2707 Black Lake Place · Philadelphia, Pa. 19154 · PH (215) 464-4000 · Fax (215) 464-4001

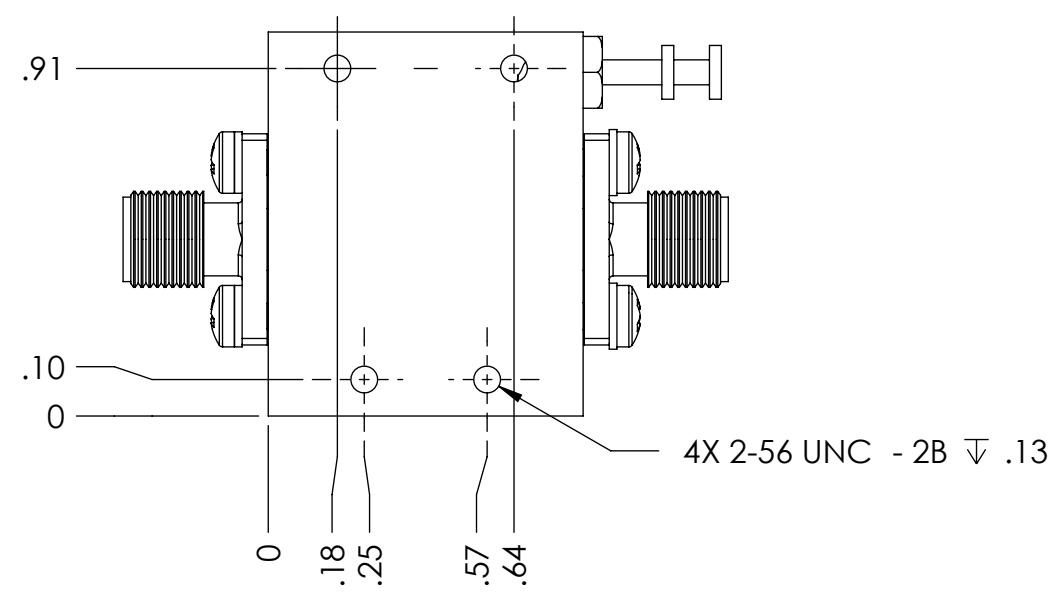
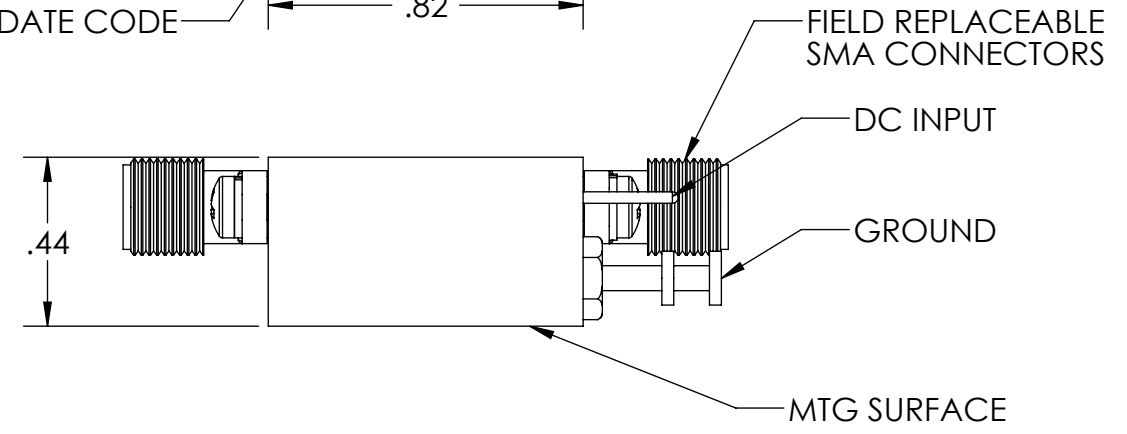
NOTES:

1. HOUSING: 70/30 CN/NI ELECTRONIC GRADE

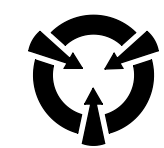
REVISIONS				
ECN	REV.	DESCRIPTION	CHNG/DATE	APPVD/DATE
XXXX	P1	PRELIMINARY RELEASE	2013/06/24	-



WITHOUT SMA CONNECTORS



CAUTION



THIS ASSEMBLY CONTAINS PARTS SENSITIVE TO DAMAGE BY ELECTROSTATIC DISCHARGE (ESD). USE ESD PRECAUTIONARY PROCEDURES WHEN TOUCHING, REMOVING OR INSERTING

SEE SEPARATE PARTS LIST IN ELECTRONIC STORAGE

SPECTRUM MICROWAVE PROPRIETARY INFORMATION
THIS DOCUMENT IS THE SOLE PROPERTY OF SPECTRUM MICROWAVE, INC. THE RELEASE OF DATA CONTAINED IN THIS DOCUMENT AND THE REPRODUCTION OF THIS DOCUMENT, IN WHOLE OR IN PART, WITHOUT THE WRITTEN PERMISSION OF SPECTRUM MICROWAVE, INC ARE PROHIBITED.

UNLESS OTHERWISE SPECIFIED		3rd ANGLE PROJECTION	
		ANSI	
DRAWN	WAR	DATE	2013/06/24
CHECKED			
ENGRG	PH	DATE	2013/06/24
MFG			
QA			

SPECTRUM MICROWAVE, INC 2707 Black Lake Place Philadelphia, PA 19154-1008 (USA)			
TITLE OUTLINE, H1L			
SIZE	CAGE CODE	DWG NO.	REV
B	60979	088-00386	P1
SCALE:	2:1	SHEET	1 OF 1

DO NOT SCALE DRAWING