



C SERIES

FEATURES

- Up to 18:1 Bandwidth with Flat Coupling
- Models From 1 to 18 GHz
- SMA Connectors
- Meet MIL-E-5400 Class 3 or Equivalent
- Screenable to MIL-C-15370 or Equivalent

SPECIFICATIONS

Frequency (GHz)	Coupling (dB)	Flatness ² (dB)	VSWR ² max	Loss ³ max (dB)	Directivity (dB)		Model Number
					to 12.4 GHz	12.4 to 18 GHz	
1-12.4	6 ± 1	± .5	1.30/1.40	.9	20	—	C112-6
1-12.4	10 ± 1	± .4	1.30/1.40	.7	20	—	C112-10
1-12.4	16 ± 1 ¹	± .4	1.30/1.40	.7	20	—	C112-16
1-12.4	20 ± 1	± .4	1.30/1.40	.7	20	—	C112-20
1-18	6 ± 1	± .5	1.40/1.50	1.2	15	12	C118-6
1-18	10 ± 1	± .5	1.40/1.50	1.0	15	12	C118-10
1-18	16 ± 1 ¹	± .5	1.40/1.50	.8	15	12	C118-16
1-18	20 ± 1	± .5	1.40/1.50	.8	15	12	C118-20
2-18	6 ± 1	± .5	1.35/1.45	1.0	20	17	C218-6
2-18	10 ± 1	± .5	1.35/1.45	.8	20	17	C218-10
2-18	16 ± 1 ¹	± .4	1.35/1.45	.6	20	17	C218-16
2-18	20 ± 1	± .4	1.35/1.45	.5	20	17	C218-20
.5-18	10 ± 1	± .8	1.40/1.40	1.2	20	15	C0518-10

Power Handling:

Average incident 100 W at 1 GHz
Peak is 1.5 kW

Average reflected Coupling	(W)
-6	2
-10	5
-20	25
-30	25

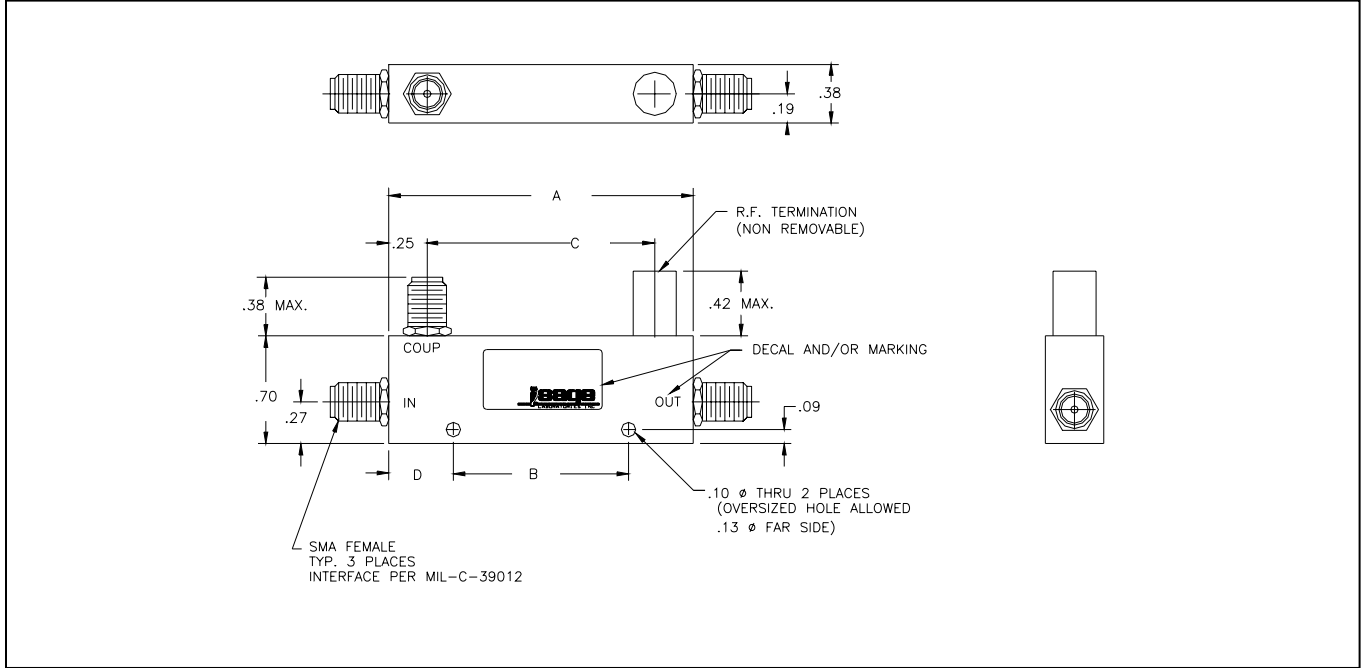
Peak is 1.5 kW

NOTES:

1. Referenced to the main line output port for use as a leveling coupler.
2. Flatness specifies the maximum coupling variation within the coupling range
3. Loss is the actual dissipated and reflected loss. It does NOT include coupling loss.



OUTLINE DRAWING



Model Numbers	Dimensions (See Drawing)						Weights			
	A"	A (cm)	B"	B (cm)	C"	C (cm)	D"	D (cm)	Ounces	Grams
C112, 118	3.43	(8,71)	2.31	(5,87)	2.93	(7,44)	.56	(1,42)	1.6	45
C218	1.98	(5,03)	.95	(2,41)	1.48	(3,76)	.51	(1,30)	1.1	31
C0518	4.50	(11,43)	3.00	(7,62)	4.00	(10,16)	.75	(1,91)	2.1	59

MISCELLANEOUS:

1. Spectrum Microwave "Standard Warranty and Order Terms and Conditions" apply to all orders.
2. All specifications subject to change without notice.
3. Check "Ordering and Availability Listing" for delivery and ordering information.
4. Contact our local Manufacturers Representative for pricing.

Specification Revision - 070810

