

Low Loss Cross Band Rx & Tx Combiner Panel

Features

- Multiple DAS feeding assembly configurations are available
- Ideal for combining multiple sectors of one network carrier
- 100% compliant with neutral host requirements

API's low PIM, low power DAS combining tray is designed to meet customers' neutral host needs and improve coverage and optimize network capacity. This solution is ideal for combining multiple sectors of one network carrier to increase capacity, or for combining multiple carriers in a neutral-host system. Multiple DAS feeding assembly configurations are available to meet system requirements.

Technical Specifications

RF Electrical	Technical Specifications	
Operating Frequency Band	Uplink RX 1 1710-1755 MHz RX 2 1850-1910 MHz	Downlink TX 1 1930-1990 MHz TX 2 2110-2155 MHz
Insertion Loss (DL/UL)	1.0 dB +/- 0.5 dB	
Return Loss (VSWR)	-18 dB (1.3:1)	
Max Power	80 Watts per port	

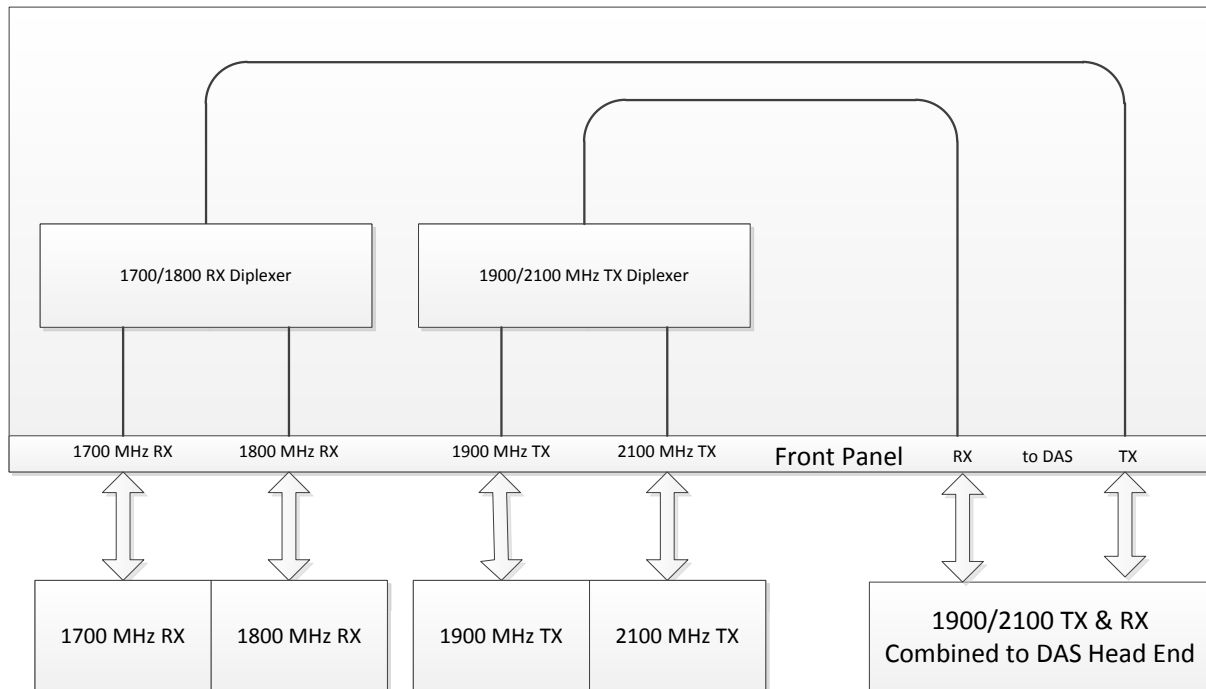
Mechanical	Specification
Connectors	Type "N" Female
Dimensions	1 RU in Standard 19" rack
Operational Temp	0 °C to + 50 °C
Environmental	Indoor application
Mounting	Rack (front or rear mount ears)
Housing Material	Aluminum
Finish	Black Paint

Front Panel:



Low Loss Cross Band Rx & Tx Combiner Panel

Block Diagram:



Combiner Panel Installation Instructions (installed in conjunction with DAS Grooming Tray):

- Mount Low Power Combiner Shelf directly Above PCS/AWS Grooming Shelf
- Connect the output of PCS/AWS DAS Grooming Tray into corresponding inputs (lower connector row) on Low Power Combiner Shelf using included Jumper assemblies
- Route Output (upper connectors) from the Low Power Combiner shelf to the DAS Head End equipment
- Repeat the installation as above for the other remaining Grooming and Low Power Combiner shelves