

## SMR 800 DAS Conditioning Tray

2 BTS/6 DAS, with fixed and variable attenuation, UL & DL test ports, MIMO or SISO capable



### Features

- This product allows either SISO or MIMO operation to be selected based upon which ports are terminated.
- Adjustment range of 0 to 30 dB with 1 dB increments.
- Passive DAS assembly without external power requirements.
- Each downlink (DL) and uplink (UL) is adjustable without intrusive connections to the system.
- Test or monitor ports are located on the front panel.

API's SMR 800 DAS Interface Tray is designed to manage two SMR800 duplex inputs and provide independent simplex outputs.. Our DAS Interface Tray standardizes the connection between the BTS and the DAS head-end equipment by improving the uplink signal with minimal impact to the receive signal. API's low PIM DAS Interface Tray also provides integrated variable step attenuation in the UL and DL paths for each input with an adjustment range of 30 dB in 1 dB increments.

### Technical Specifications

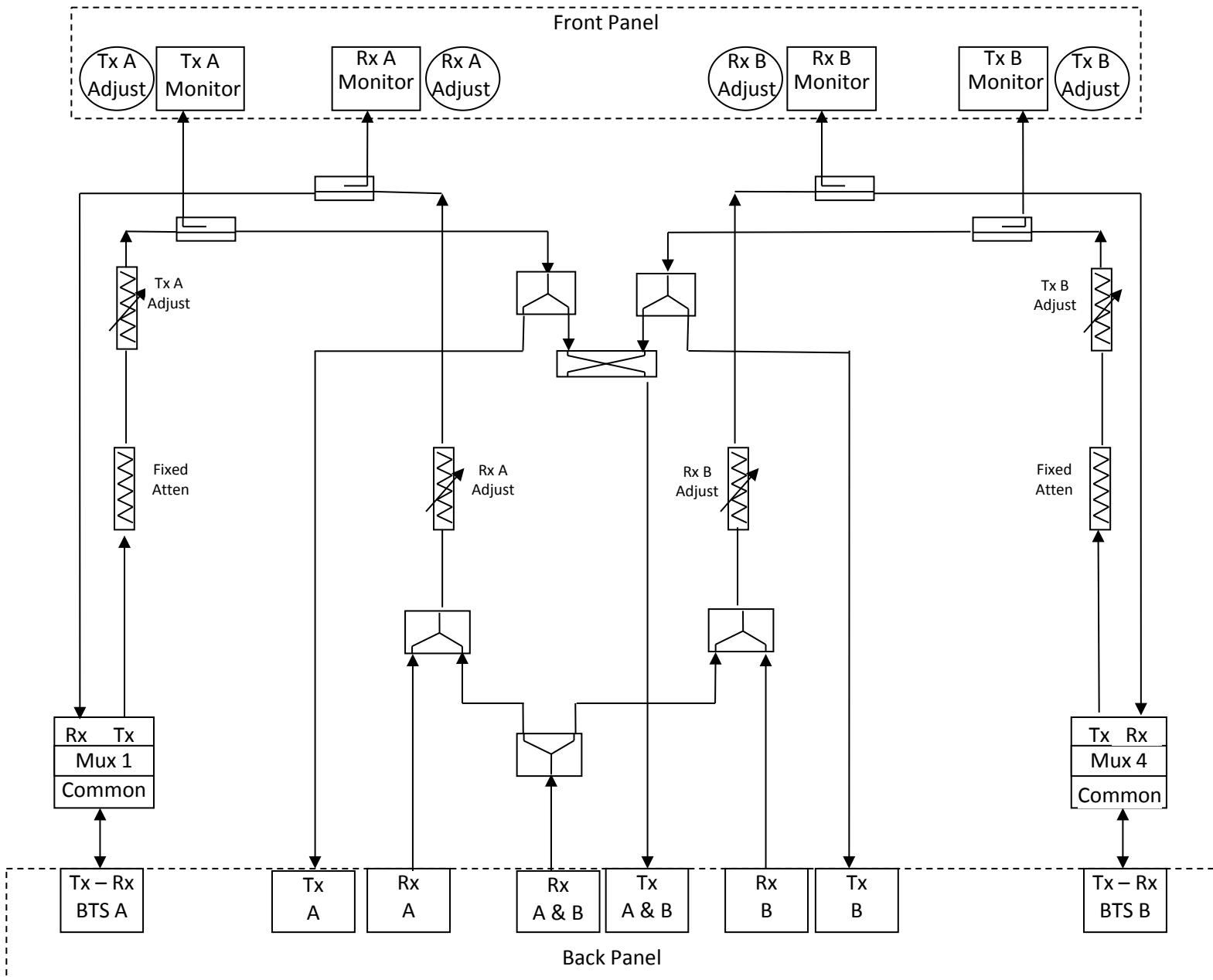
RF Electrical	Typical Specifications	
Frequency Range: SMR1 / SMR2	Channel 1 UL: 806 – 824 MHz DL: 851 – 869 MHz	Channel 2 UL: 806 – 824 MHz DL: 851 – 869 MHz
DL (TX) Loss	"A" + 7.25 to "A" +37.25 dB in 1 dB steps (High Power attenuator installed. Attenuation level "A" per customer request)	
UL (RX) Loss	7.25 to 37.25 dB in 1 dB steps	
Input power	Maximum +30 dBm + "A" or 80 Watts whichever is least per Input Port	
Return Loss (VSWR)	-18 dB (1.3:1)	
PIM3	≥ -153 dBc	

Mechanical	Specification
Number of DAS Output Connections	6 Each: 3 Tx – A, B, & A+B 3 Rx – A, B, & A+B
Number of BTS Input Connections	2 Each: 1 – BTS A 1 – BTS B
Number of LMU Connections	2 Each: Tx1 Monitor (N-F) Tx2 Monitor (N-F)
Dimensions	Standard 2 RU 19" rack mount Actual dim: 20.00" (D) 19.00" (W) 3.50" (H)
Operational Temp	-15°C to +40°C
Finish	White Epoxy Paint (Rack Panel only)
Mounting	2 RU Rack (front mount ears)

# SMR 800 DAS Conditioning Tray

2 BTS/6 DAS, with fixed and variable attenuation, UL & DL test ports, MIMO or SISO capable

## Functional Block Diagram



# SMR 800 DAS Conditioning Tray

2 BTS/6 DAS, with fixed and variable attenuation, UL & DL test ports, MIMO or SISO capable

## Mechanical Outline

