



HC2700 LCC Series

+10V, 0V, and $\pm 10V$ Leadless Chip
Carrier Precision Voltage References
JEDEC- Compatible

FEATURES

- 2700 Type Reference in Standard LCC Packages
- JEDEC-Compatible 28 Pin LCC Style Package
- +10, -10, + / -10Volt Ranges
- New Kelvin Sense Connections
- Initial Accuracy to 2.5mV
- Temp. Coefficients to 3ppm
- Short Circuit Protected
- Industrial and Mil Temp. Ranges
- Surface Mount and Reflow-Solderable

DESCRIPTION

The new HC2700LCC Series packages the HC2700, HC2701 and HC2702 in a 28 pin JEDEC compatible leadless chip carrier. The HC2700LCC series combines the standard features of the HC2700 series in LCC packages with a new flexible pin out. This new pin out offers, uncommitted feedback resistors and zener ground points, which allows for Kelvin sensing at the output voltage and reference ground. This provides improved performance at greater distances from the HC2700LCC. In addition, feedback resistors and a resistor divider has been included in the LCC substrate design, allowing any unique reference voltage to be trimmed in accordance with your specification. Please contact the factory with your special requirements.

APPLICATIONS

- High Accuracy A/D and D/A Converters
- Precision Test and Measurement Systems
- Calibration Standards
- High Resolution Servo Systems
- Co-fired Ceramic Substrate Mounting
- Single and Multilayer Mother Board Mounting System
- Harsh Military/Aerospace Enviroments Requiring Full Mil Processing
- MIL-STD-883 Compliant

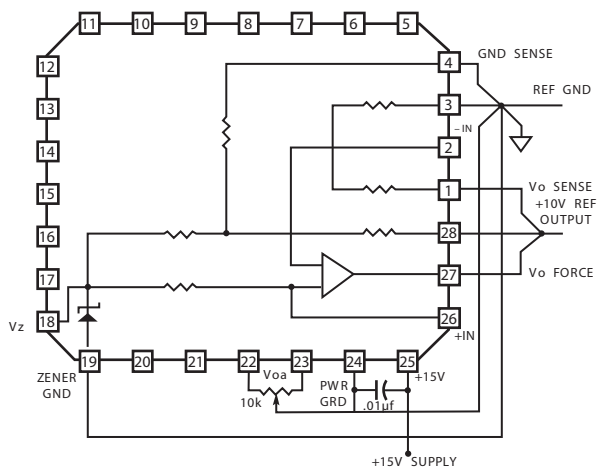
STANDARD PART SELECTION GUIDE

Part Number	Output Voltage	Initial Acc.Mv	TC ppm/C	Temperature Range in °C
HC2700JLCC	+10	+/-5.0	+/-10	-25 to 85
HC2700LLCC	+10	+/-2.5	+/-3	-25 to 85
HC2700SLCC	+10	+/-5.0	+/-3	-55 to 125
HC2700ULCC	+10	+/-2.5	+/-3	-55 to 125
HC2701JLCC	-10	+/-5.0	+/-10	-25 to 85
HC2701 LLCC	-10	+/-2.5	+/-3	-25 to 85
HC2701SLCC	-10	+/-5.0	+/-3	-55 to 125
HC2701 ULCC	-10	+/-2.5	+/-3	-55 to 125
HC2702JLCC	+10,-10	+/-5.0	+/-10	-25 to 85
HC2702LLCC	+10,-10	+/-2.5	+/-3	-25 to 85
HC2702SLCC	+10,-10	+/-5.0	+/-3	-55 to 125
HC2702ULCC	+10,-10	+/-2.5	+/-3	-55 to 125

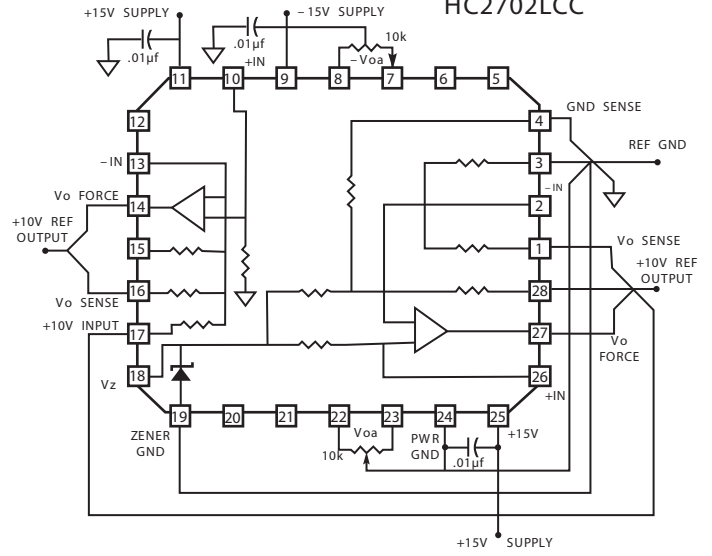
For detailed specifications refer to HC2700 series data sheet.

PACKAGE PINOUTS AND CONNECTION DIAGRAMS

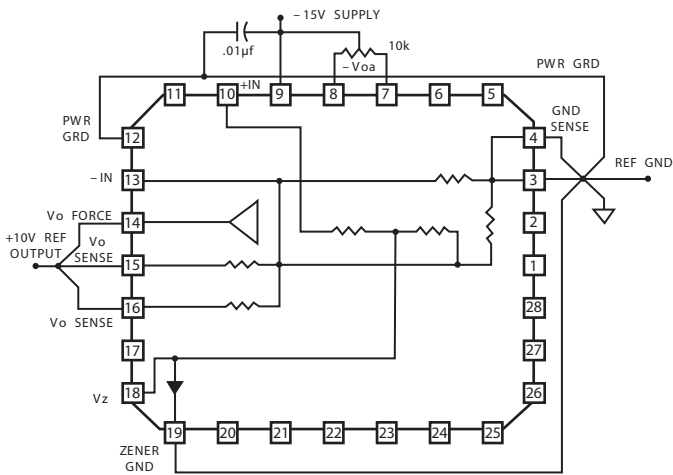
HC2700LCC



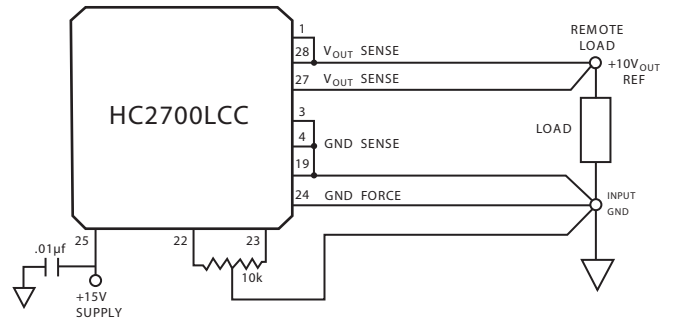
HC2702LCC



HC2701LCC

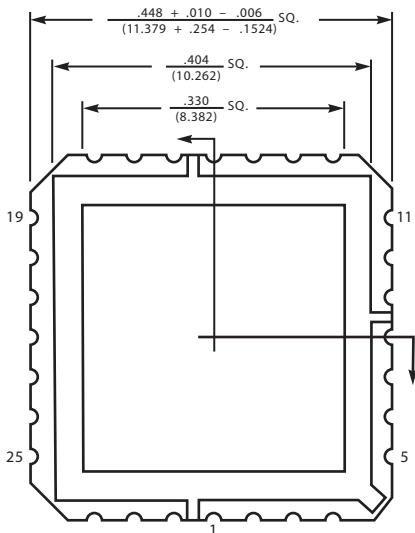


REMOTE OUTPUT APPLICATION

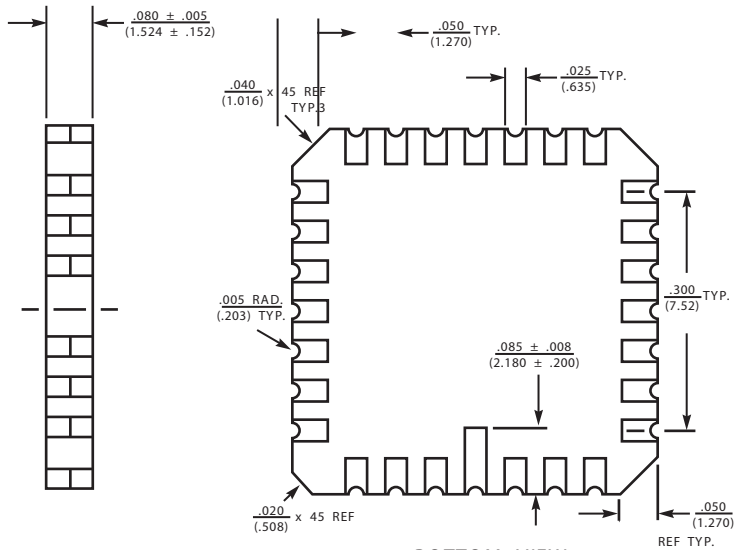


*Use a multi-turn low TC potentiometer

28 PIN LCC PACKAGE



TOP VIEW



BOTTOM VIEW