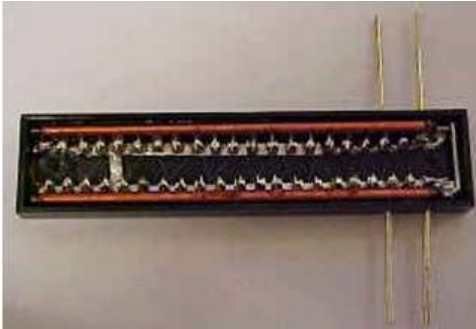


# Lumped Constant Delay Lines



## Key Features

- **Frequency Range:** DC to 150 MHz
- **Delay:** 10 nSec to 5000 nSec
- **Insertion Loss:** 5%
- **Stability:** 70 ppm/degC
- **Distortion:** 5%
- **Package Size:** DIL to 2 sq; Dependent on frequency and amount of delay

API Technologies' complete line of Lumped Constant Delay Lines are offered in semi-standard or custom designs to meet unique specifications. Active buffered and passive fixed and variable designs are available.

Many interface options are offered including DIP, SIP Leaded and SMD. Packaging options include low cost, plastic encapsulated or hermetically welded and package size is dual in-line to 2 sq.

These delay lines are ideal for applications where high performance and reliability is required. Excellent for usage in clock synchronization, timing pulse generation, target generation, and video delay.

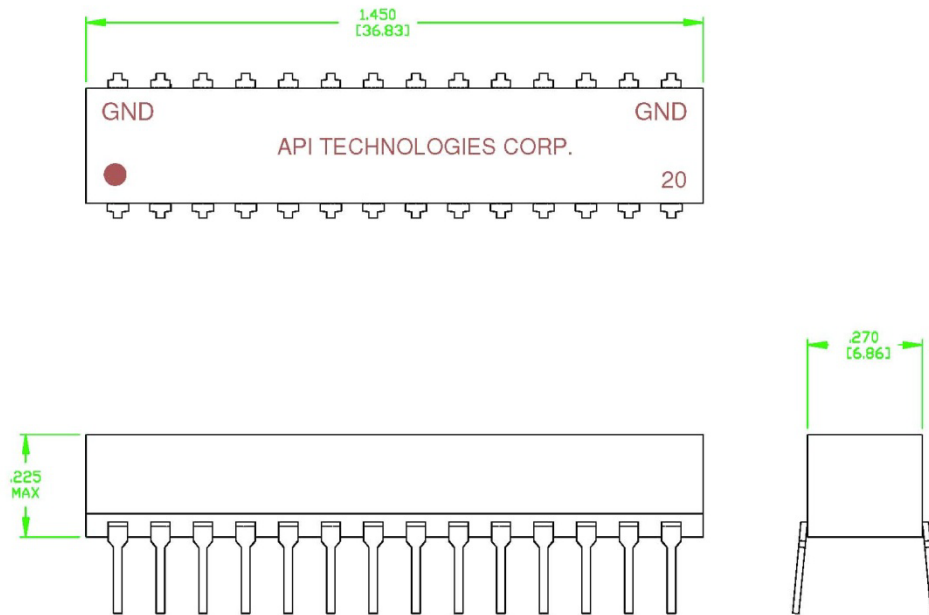
## Technical Specifications

Parameter	Unit	Typical	Min/Max
Frequency Range	MHz		0 - 150
Delay	nSec		10 - 5000
Insertion Loss	%	5	1 - 20
Temp Stability	PPM/degC	70	100
Impedance	Ohms	50	10 - 500
Distortion	%	5	15
Rise Time	%delay (Passive)	15	25
DC resistance	Ohms	1	2

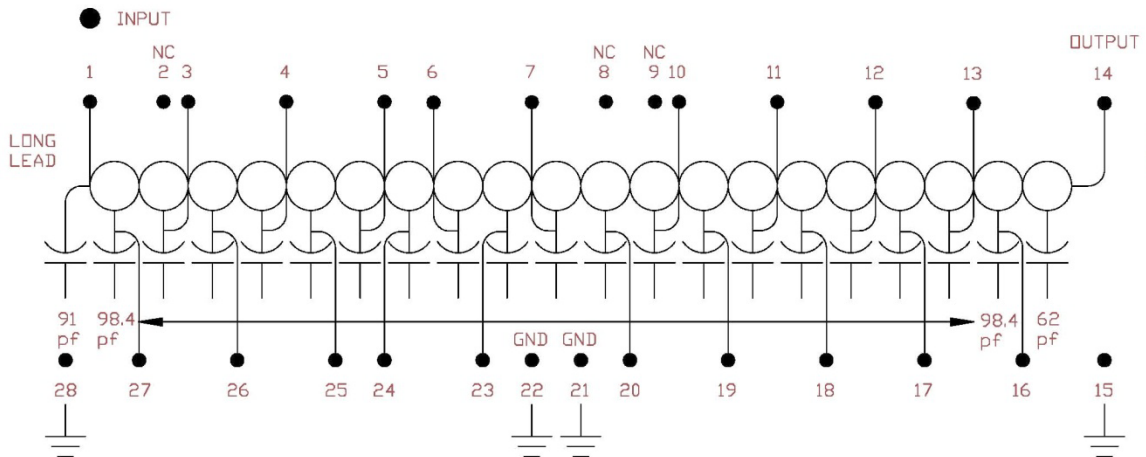
## Maximum Ratings

Maximum (No Damage) Ratings	
Storage Temperature(C)	-65 -150
Operating Temperature(C)	-55 - 125
Input Drive @ 25°C(V peak passive)	<=25

\* Typical values are measured at 25°C, but not guaranteed.



**Typical Outline Drawing**



**Typical Schematic**