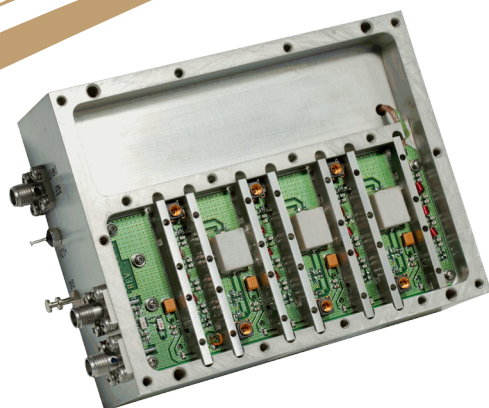


FEATURES

- Ultra Low Phase Noise: -151 dBc/Hz
- Multiple RF Outputs
- Automatic Reference Sensing
- DC Voltage Regulation
- Low Current Consumption
- Fully Customizable



These low-phase noise Multiplied PLOs provide the flexibility in the desired output frequency by utilizing a series of x2 multipliers. With an output range of 80 to 1600 MHz, these passive multiplier designs can be configured for most military airborne and ground based applications. With unparalleled phase noise performance of -151 dBc/Hz (at 100 kHz offset), the model BXMF1033 is capable of utilizing either its internal or an external 10 MHz reference. These Multiplied PLOs incorporate unique features including: DC Voltage Regulation, Automatic Reference Sensing, Low Current Consumption and Multiple RF Outputs.

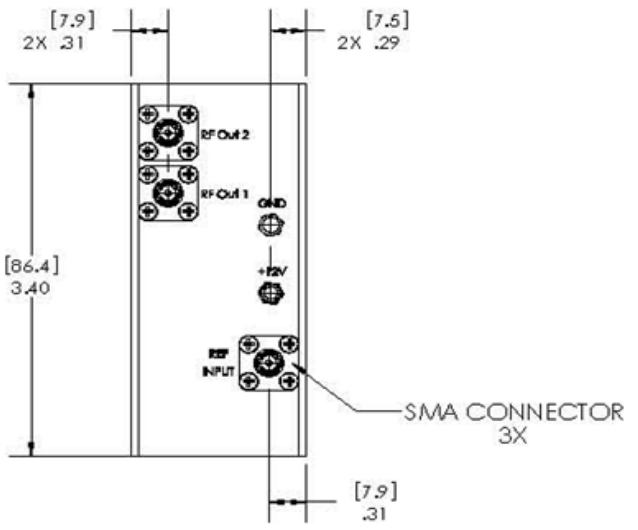
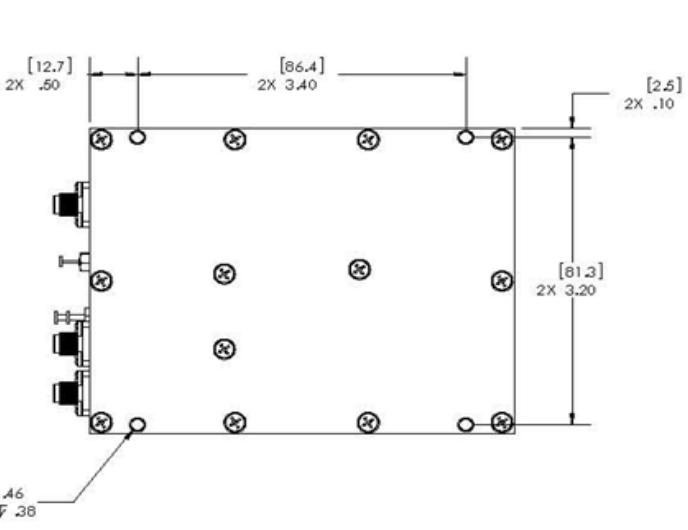
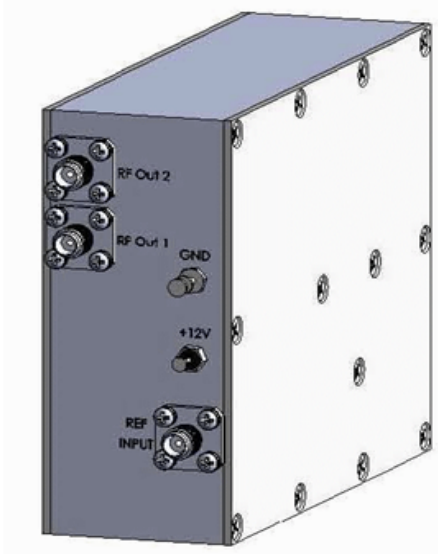
Parameter	Typical	Min. / Max.
Output Frequency	1600 MHz	1600 MHz
Output Power Level	+6 dBm	+6 dBm
External Reference	10 MHz	10 MHz
Phase Noise at 1 kHz Offset	-131 dBc/Hz	—
Phase Noise at 10 kHz Offset	-149 dBc/Hz	—
Phase Noise at 100 kHz Offset	-151 dBc/Hz	—
Harmonics	-60 dB	—
Spurious	-70 dBc	—
Input VSWR	1.75:1	2.0:1
Output VSWR	1.75:1	2.0:1
Supply Voltage	+12 volts	+12 volts
Supply Current	310 mA	310 mA
Housing Size	5.20" L x 4.00" W x 1.00" H	
RF Connectors	SMA Female	
Operating Case Temp. (Min./Max. Values)	0°C to +70°C (typical values measured at +25°C)	

Maximum (No Damage) Ratings	
Storage Temperature	-65°C to +125°C
Operating Temperature (Case)	-55°C to +85°C
DC Voltage @ 25°C	+18 VDC

Multiplied Phase Locked Oscillator

1600 MHz
Model BXMF1033

Outline Drawing



Rev 3.28.12