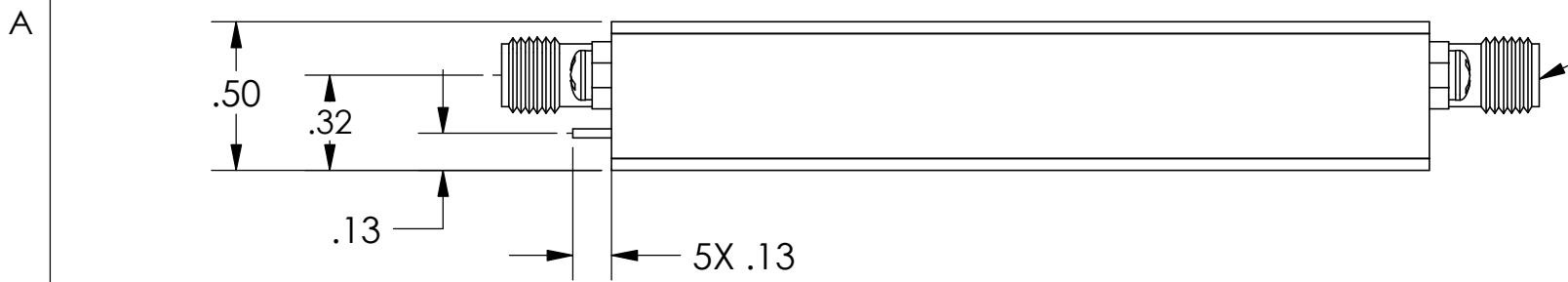
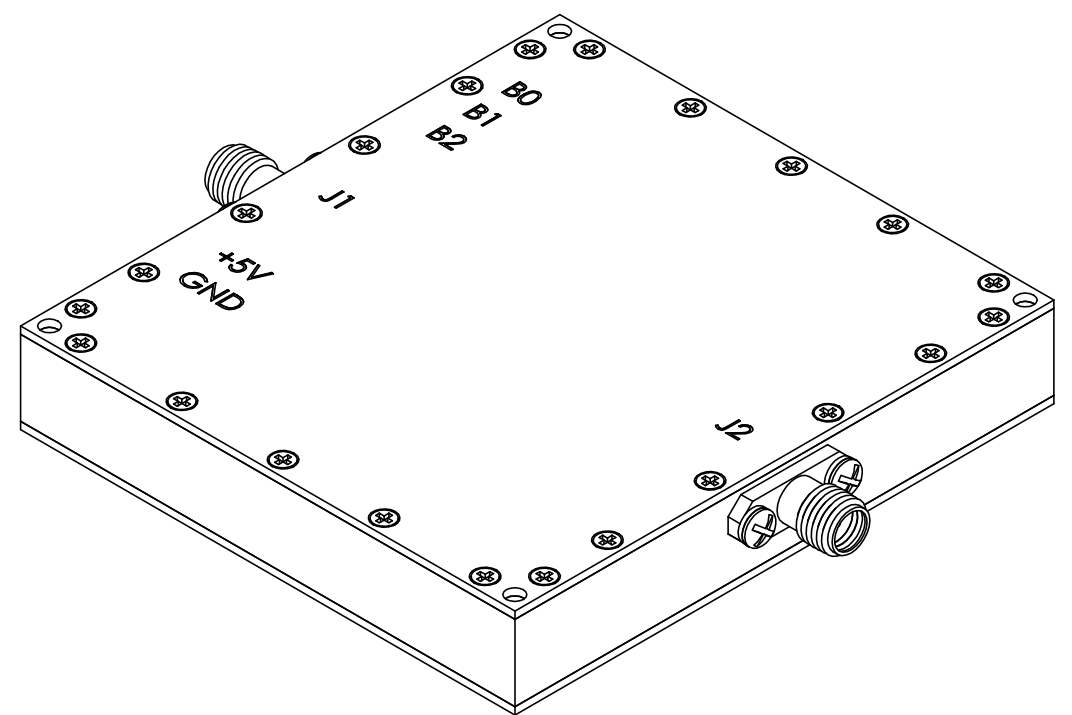
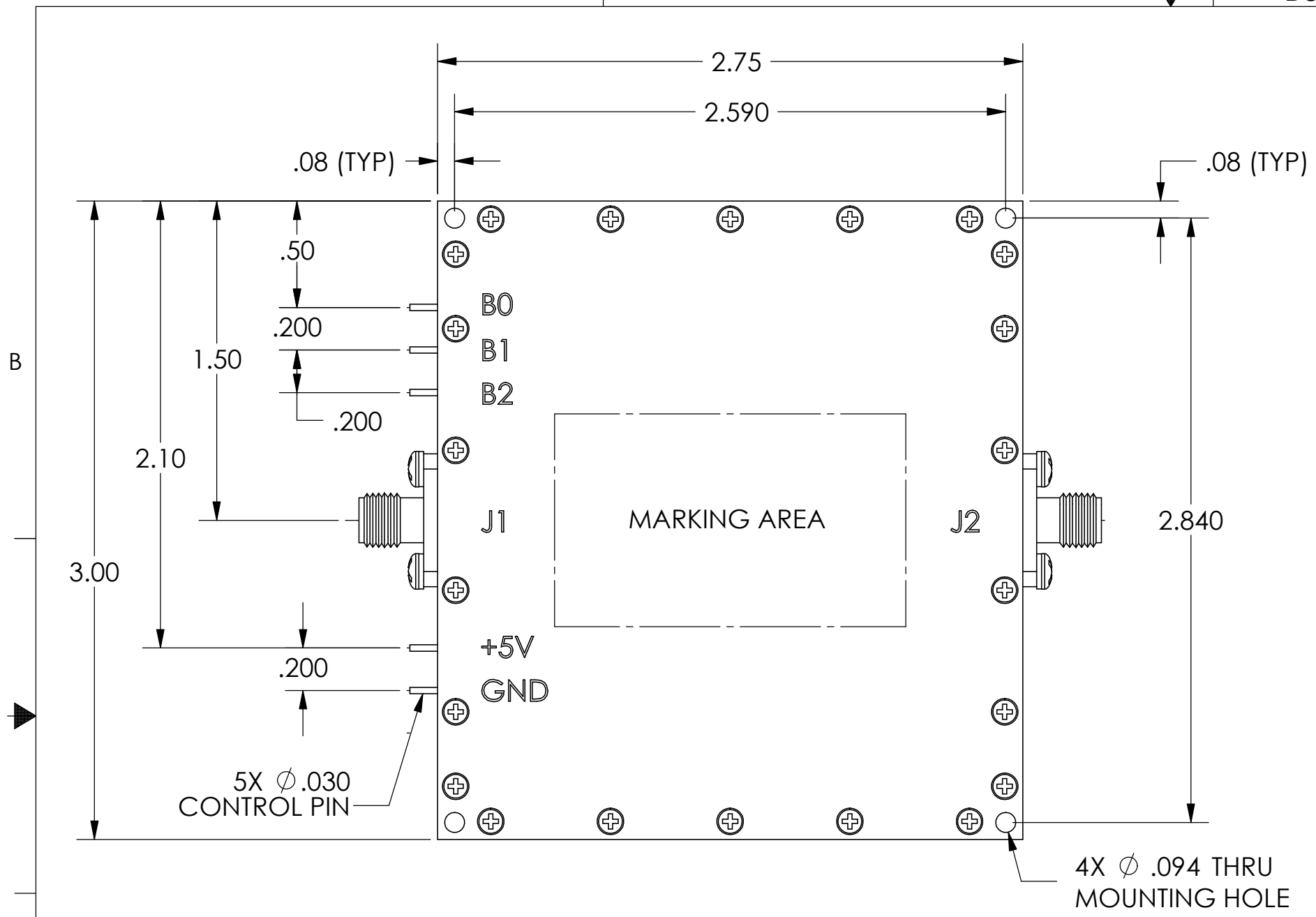


REVISIONS				
ECN	REV.	DESCRIPTION	CHNG/DATE	APPVD/DATE
10-0486	P1	INITIAL RELEASE.	SLH/2012-08-23	TPR/2012-08-23
N/A	P2	ADD 5X .13 PIN LENGTH AND 2X (TYP) TO MTG. HOLE DIMENSIONS.	SLH/2012-09-11	JPS/2012-09-11



2X SMA-FEMALE CONNECTOR

SEE SEPARATE PARTS LIST IN ELECTRONIC STORAGE

1. FINISH: SILVER
COMPUTER ASSISTED DRAWING
GENERATED USING SOLIDWORKS 2009
FORM NO. 1054 SIZE B1

SPECTRUM MICROWAVE PROPRIETARY INFORMATION
THIS DOCUMENT IS THE SOLE PROPERTY OF SPECTRUM MICROWAVE, INC. THE RELEASE OF DATA CONTAINED IN THIS DOCUMENT AND THE REPRODUCTION OF THIS DOCUMENT, IN WHOLE OR IN PART, WITHOUT THE WRITTEN PERMISSION OF SPECTRUM MICROWAVE, INC ARE PROHIBITED.

UNLESS OTHERWISE SPECIFIED
* INTERPRET DRAWING IAW ASME Y14.100-2004
* DIMENSIONING AND TOLERANCING IAW ASME Y14.5-1994
* PARENTHETICAL INFORMATION FOR REFERENCE ONLY
* DIMENSIONAL LIMITS APPLY BEFORE PROCESSES
* DIMENSIONS ARE IN INCHES
* TOLERANCES ARE: ANGLES ±1.0° 2 PLACE DECIMAL ±.02 3 PLACE DECIMAL ±.010
* SURFACE FINISH 63
* REMOVE ALL BURRS AND SHARP EDGES .010 RAD MAX.
* CONCENTRICITY MACHINED DIA: .002 FIM
* MACHINED TOOL MISMATCH: .002 MAX.
DO NOT SCALE DRAWING

3rd ANGLE PROJECTION
ANSI
DRAWN SLH
CHECKED
ENGRG TPR
MFG
QA
DATE 2012-08-23
2012-08-23

SPECTRUM MICROWAVE, INC
38166 Old Stage Road
Delmar, DE 19940-3550 (USA)
TITLE
OUTLINE, SWITCHED FILTER BANK
SIZE **B** CAGE CODE **67021** DWG NO. **B010-2620** REV **P2**
SCALE: **3:2** SHEET **1** OF **1**