

PROPRIETY NOTICE
 THIS DWG IS THE PROPERTY OF SPECTRUM MICROWAVE INC. NEITHER RECEIPT NOR POSSESSION THEREOF CONFERS OR TRANSFERS ANY RIGHT IN OR LICENSE TO USE ANY DESIGN OR TECHNICAL INFORMATION HEREON NOR ANY RIGHT TO REPRODUCE THIS DWG IN WHOLE OR IN PART WITHOUT THE WRITTEN CONSENT OF SPECTRUM MICROWAVE INC. IT IS ISSUED ONLY ON THE EXPRESS CONDITION THAT ITS TECHNICAL CONTENT WHETHER PATENTED OR NOT WILL BE RESPECTED

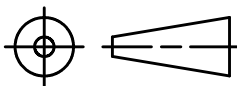
REVISIONS				
ECN	REV	DESCRIPTION	CHNG/DATE	APVD/DATE
201322	F.2	UPDATE TO NEW NUMBER	JM6/23/2009	JM6/23/2009

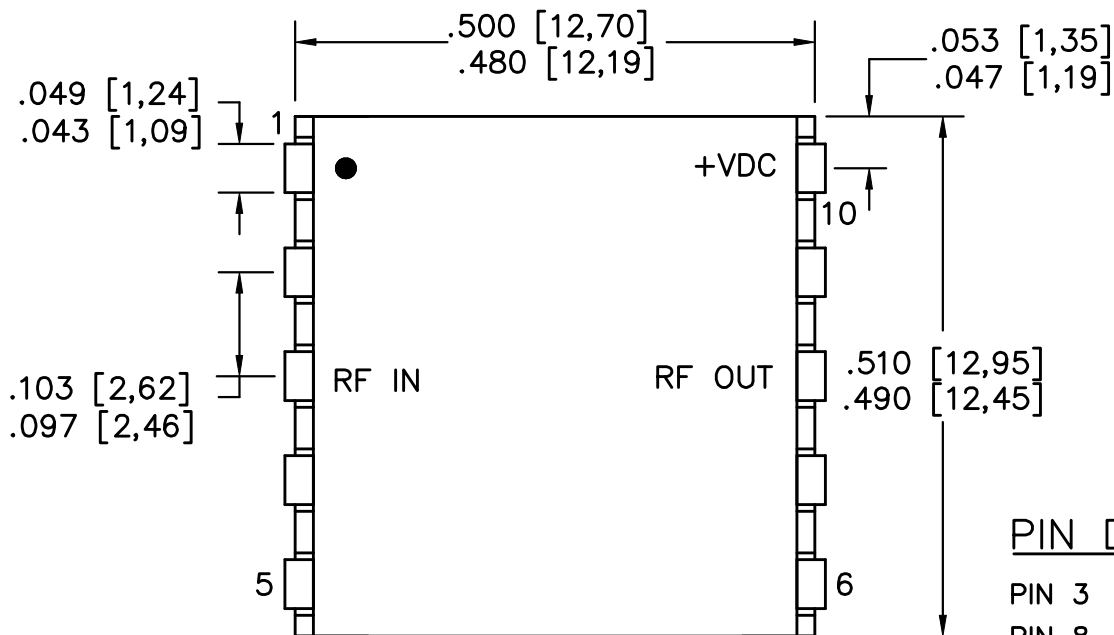
NUMBER WAS E52-19422 NO CHANGE TO FORM, FIT AND FUNCTION

TOLERANCES (INCHES)		CONTRACT NO.	
.XX = ± .02	X/X = ± 1/32	DRAWN	DATE
.XXX = ± .005	X' = ± 1' 0'	M. GOSSELIN	95-10-19
MATERIAL	PROC ENGRG	ENGRG	
		G.R. CALLAWAY	95-11-27
FINISH	MFG	C. ROSENWALD	95-11-30
	QA	T. KECK	95-11-30

SPECTRUM MICROWAVE, INC 2144 Franklin Drive N.E. Palm Bay, Florida 32905		
TITLE OUTLINE DRAWING		
SIZE	CAGE CODE	DWG. NO.
A	55027	080-10117-0001
SCALE:	5/1	APPROX WT
		SHEET 1 OF 3

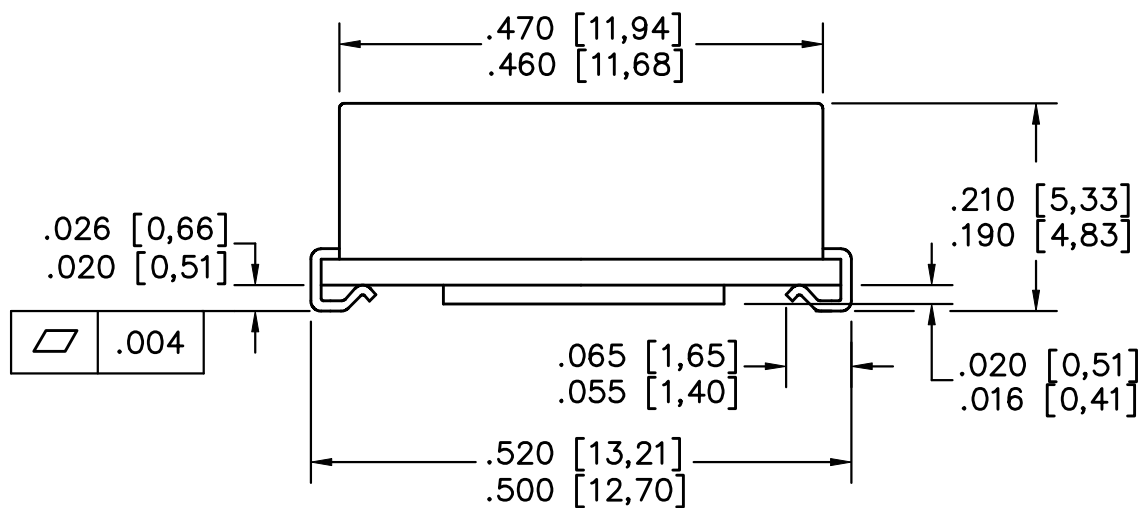
NOTES: UNLESS OTHERWISE SPECIFIED,

1. INTERPRET DWG PER ASME Y14.100.
2. INTERPRET THIRD ANGLE PROJECTION  (ISO-A).
3. DIMENSIONS ARE IN INCHES [MM].
4. INTERPRET DIMENSIONING SYMBOLS PER ASME Y14.5M.
5. DO NOT SCALE THIS DRAWING.
6. ALL PRINTED PATTERN TOLERANCES: ± 0.001 .
7. ALL DRILLED FEATURES: ± 0.002 .

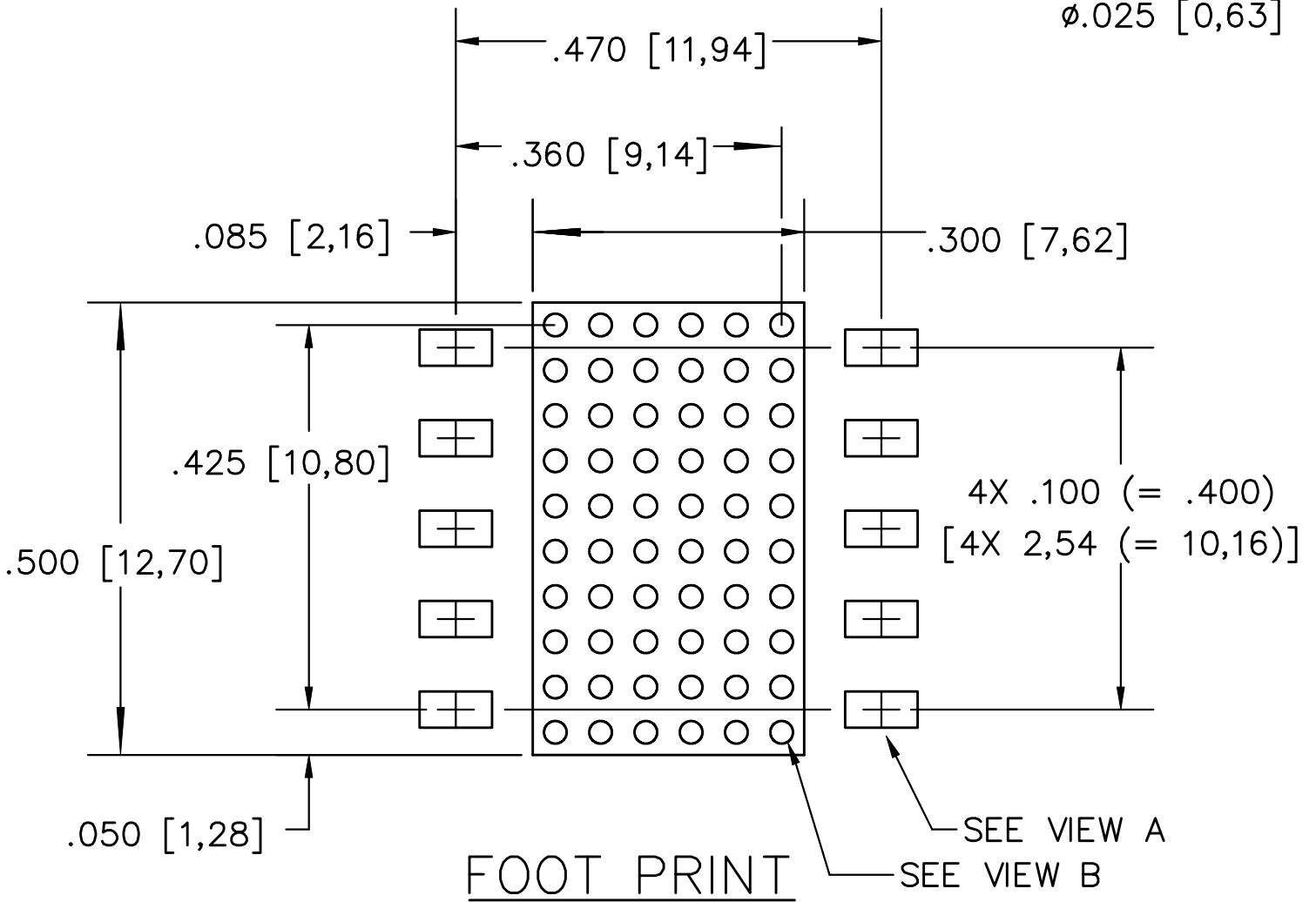
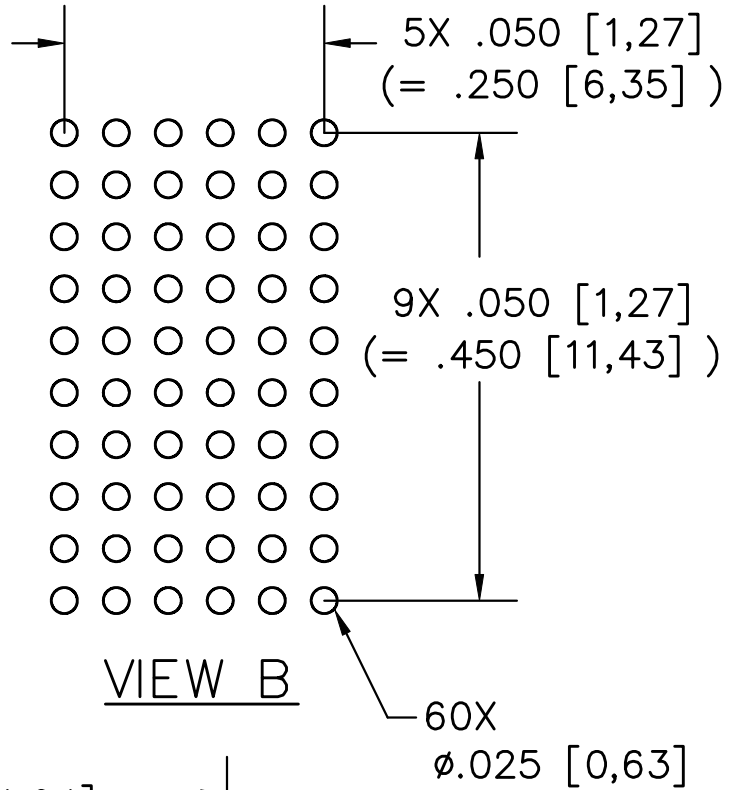
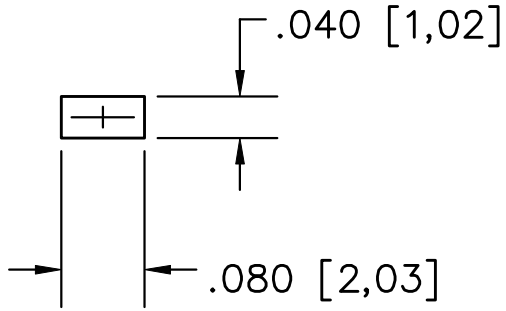


PIN DESIGNATIONS:

- PIN 3 RF INPUT
- PIN 8 RF OUTPUT
- PIN 10 DC VOLTAGE
- ALL OTHERS GROUND



SPECTRUM MICROWAVE, INC TITLE OUTLINE DRAWING	SIZE A	CAGE CODE 55027	DWG NO. 080-10117-0001
	SCALE: 5/1	REV F.2	SHEET 2 OF 3



SPECTRUM MICROWAVE, INC

SIZE

CAGE CODE

DWG NO.

TITLE

A

55027

080-10117-0001

OUTLINE DRAWING

SCALE:

5/1

REV

F.2

SHEET

3

OF

3