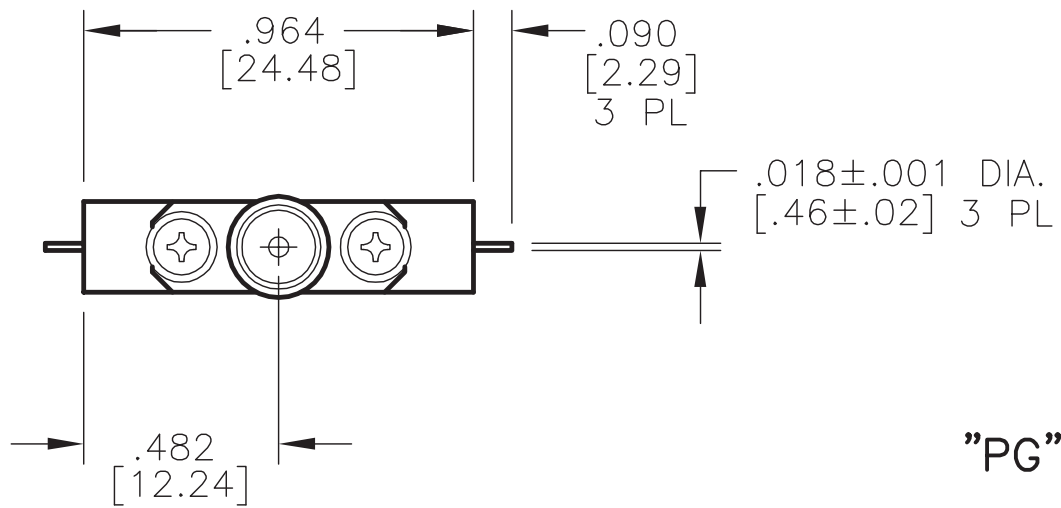
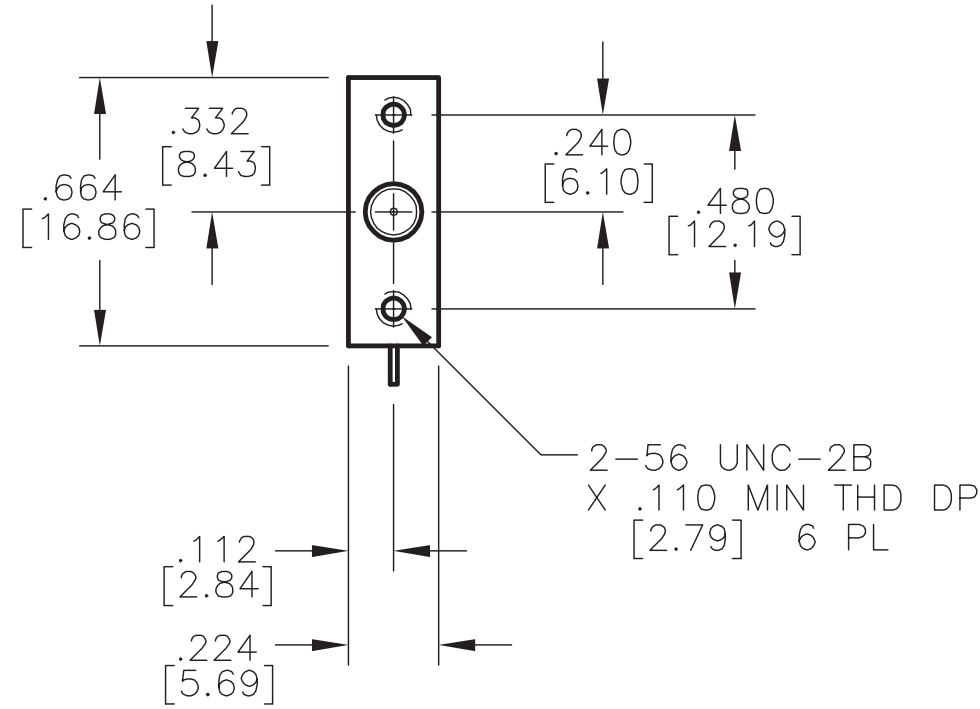
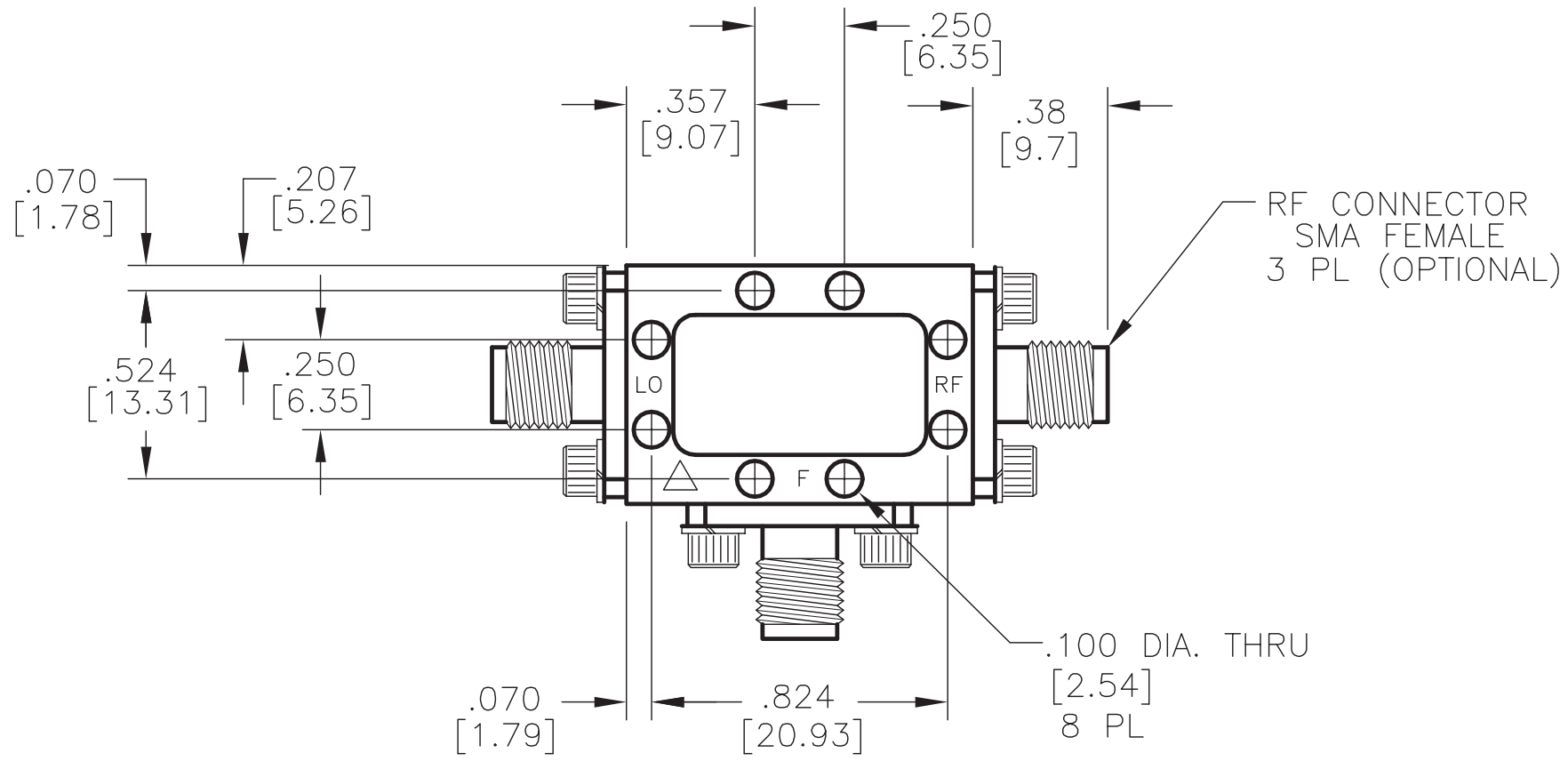
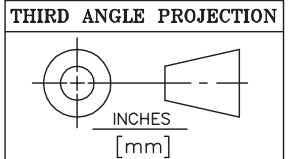


REVISIONS				
ECN	REV	DESCRIPTION	CHNG/DATE	APPVD/DATE
	B.1	ECN# 121001214	JD 11/8/04	JMM 11/11/04



"MG" WITHOUT CONNECTORS  
 "PG" WITH REMOVABLE CONNECTORS


TOLERANCE:  
 INCHES .XX±.02  
 .XXX±.010  
 mm .X±.5  
 .XX±.25



**PROPRIETARY NOTICE**  
 THIS DWG IS THE PROPERTY OF SPECTRUM MICROWAVE INC. NEITHER RECEIPT NOR POSSESSION THEREOF CONFERS OR TRANSFERS ANY RIGHT IN OR LICENSE TO USE ANY DESIGN OR TECHNICAL INFORMATION HEREON NOR ANY RIGHT TO REPRODUCE THIS DWG IN WHOLE OR IN PART WITHOUT THE WRITTEN CONSENT OF SPECTRUM MICROWAVE INC. IT IS ISSUED ONLY ON THE EXPRESS CONDITION THAT ITS TECHNICAL CONTENT WHETHER PATENTED OR NOT WILL BE RESPECTED

TOLERANCES (INCHES)	
.XX = ± .02	X/X = ± 1/32
.XXX = ± .010	X* = ± 1' 0'
MATERIAL	
FINISH	
MARK WHERE SHOWN	

CONTRACT NO.	
DRAWN	DATE
S. COX	5/30/02
PROC ENGRG	
ENGRG	
MFG	
QA	

 2144 Franklin Drive N.E. Palm Bay, Florida 32905		TITLE	
		OUTLINE, G	
SIZE	CAGE CODE	DWG NO.	REV
B		080-25134-0001	B.1
SCALE: 2/1	APPROX WT	SHEET 1 OF 1	