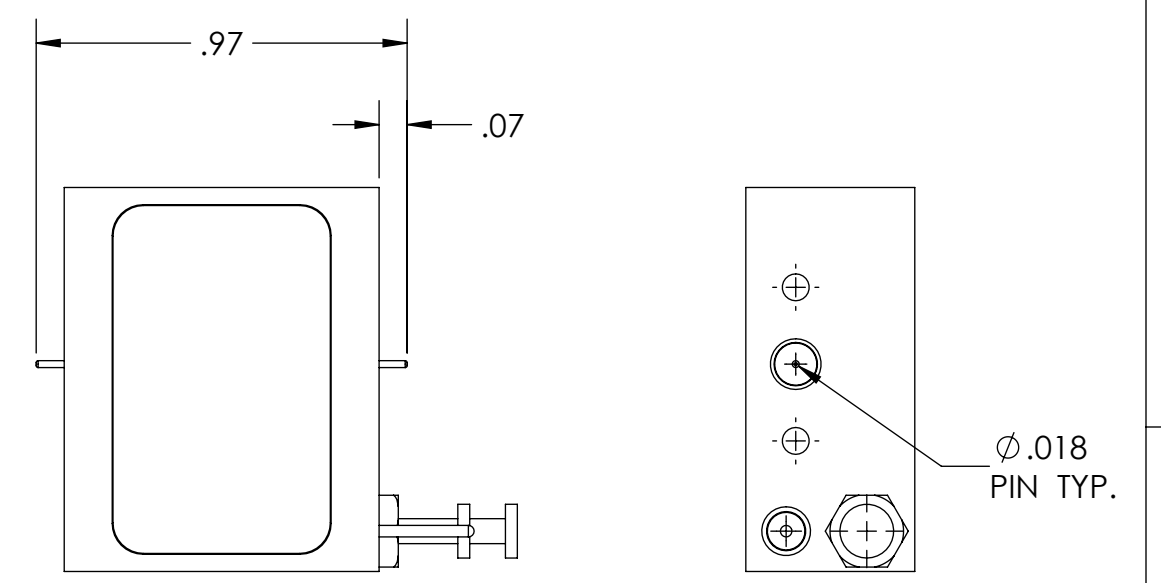
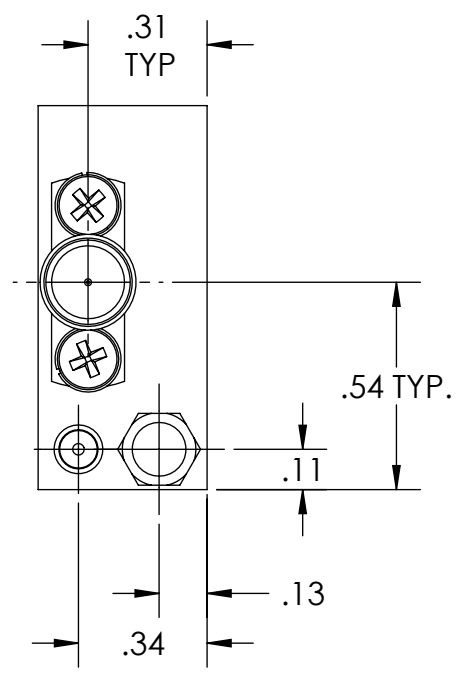
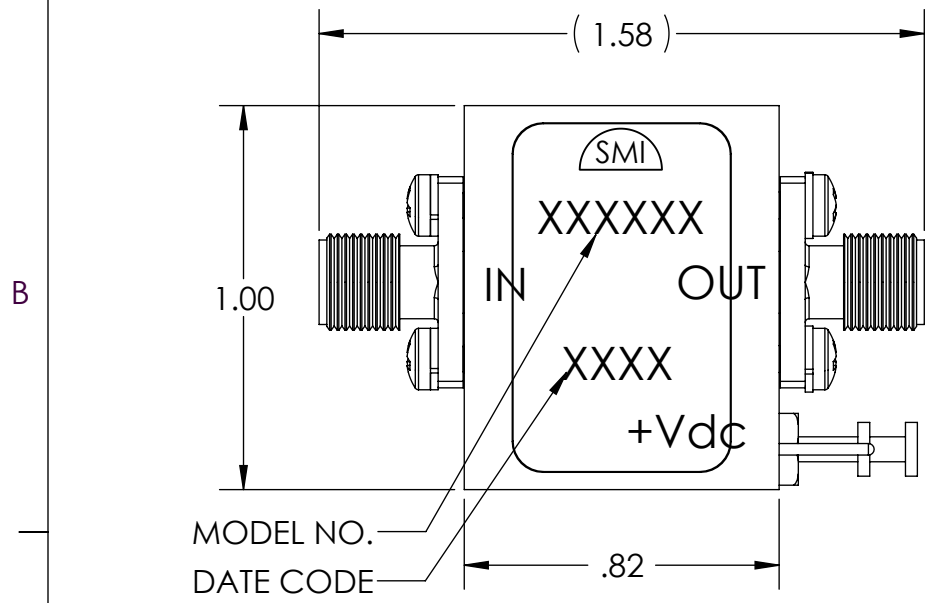


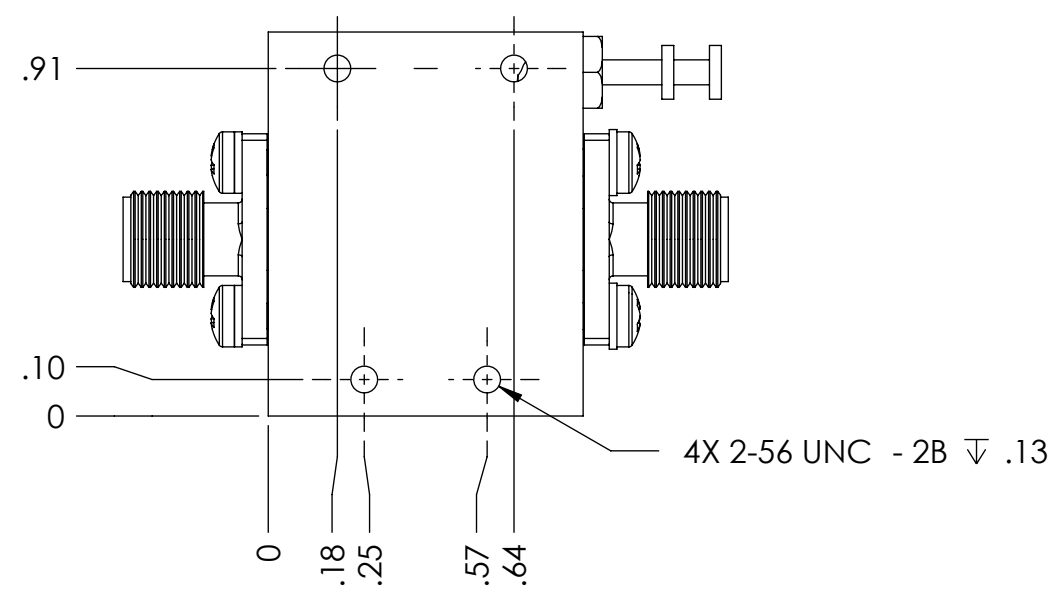
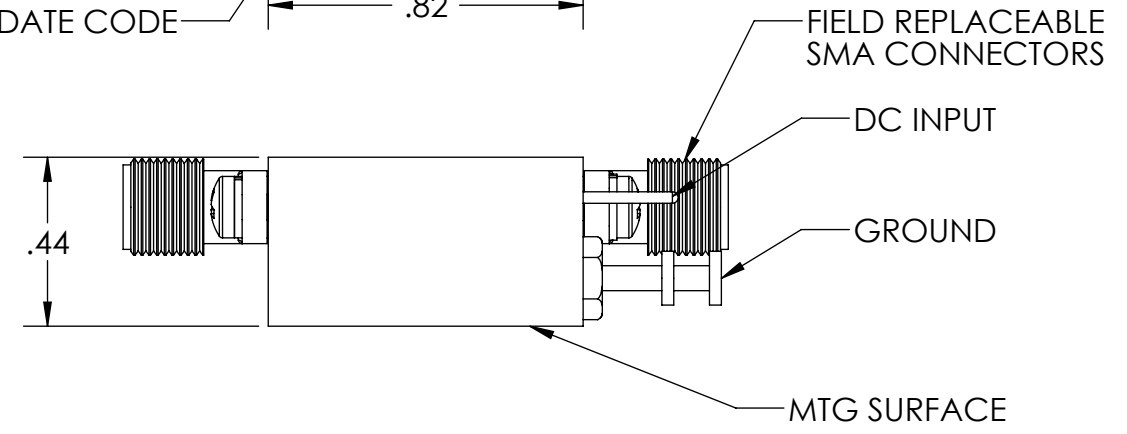
NOTES:

1. HOUSING: 70/30 CN/NI ELECTRONIC GRADE

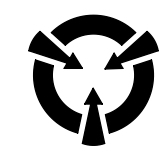
REVISIONS				
ECN	REV.	DESCRIPTION	CHNG/DATE	APPVD/DATE
XXXX	P1	PRELIMINARY RELEASE	2013/06/24	-



WITHOUT SMA CONNECTORS



CAUTION



THIS ASSEMBLY CONTAINS PARTS SENSITIVE TO DAMAGE BY ELECTROSTATIC DISCHARGE (ESD). USE ESD PRECAUTIONARY PROCEDURES WHEN TOUCHING, REMOVING OR INSERTING

SEE SEPARATE PARTS LIST IN ELECTRONIC STORAGE

UNLESS OTHERWISE SPECIFIED		3rd ANGLE PROJECTION ANSI		SPECTRUM MICROWAVE, INC 2707 Black Lake Place Philadelphia, PA 19154-1008 (USA)		
* INTERPRET DRAWING IAW ASME Y14.100-2004 * DIMENSIONING AND TOLERANCING IAW ASME Y14.5-1994 * PARENTHETICAL INFORMATION FOR REFERENCE ONLY * DIMENSIONAL LIMITS APPLY BEFORE PROCESSES * DIMENSIONS ARE IN INCHES * TOLERANCES ARE: ANGLES ±1.0° $\sqrt{2}$ PLACE DECIMAL ±.02 * SURFACE FINISH 63 $\sqrt{3}$ PLACE DECIMAL ±.005 * REMOVE ALL BURRS AND SHARP EDGES .010 RAD MAX. * CONCENTRICITY MACHINED DIA: .002 FIM * MACHINED TOOL MISMATCH: .002 MAX.		DRAWN WAR	DATE 2013/06/24	TITLE OUTLINE, H1L		
		CHECKED				
		ENGRG PH	2013/06/24			
		MFG				
		QA		SIZE B	CAGE CODE 60979	DWG NO. 088-00386
				SCALE: 2:1	SHEET 1 OF 1	REV P1

SPECTRUM MICROWAVE PROPRIETARY INFORMATION
THIS DOCUMENT IS THE SOLE PROPERTY OF SPECTRUM MICROWAVE, INC. THE RELEASE OF DATA CONTAINED IN THIS DOCUMENT AND THE REPRODUCTION OF THIS DOCUMENT, IN WHOLE OR IN PART, WITHOUT THE WRITTEN PERMISSION OF SPECTRUM MICROWAVE, INC ARE PROHIBITED.