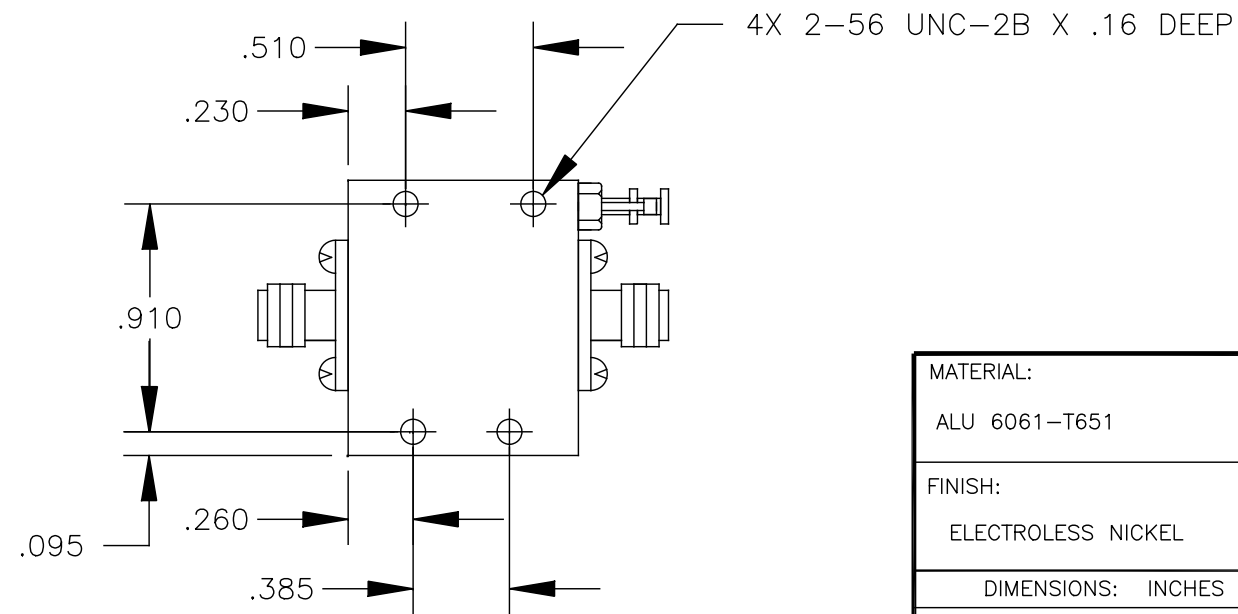
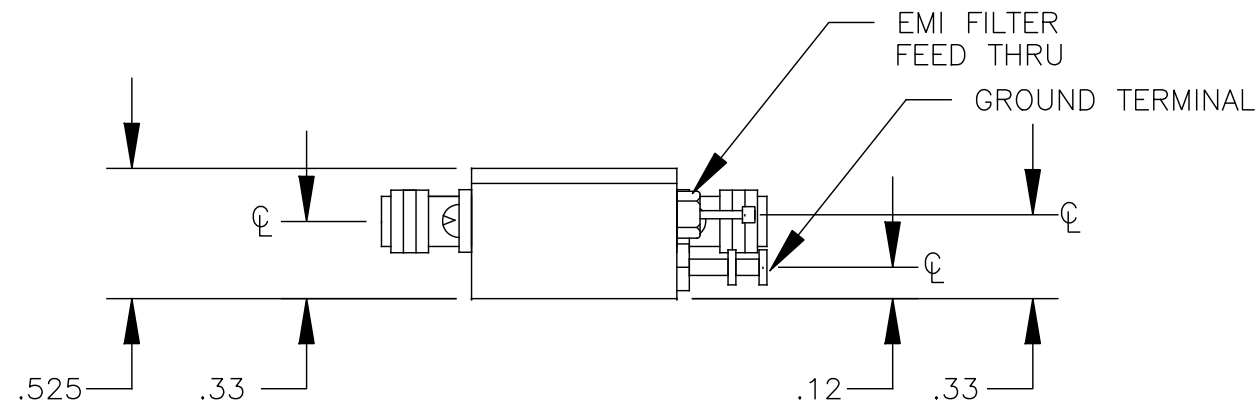
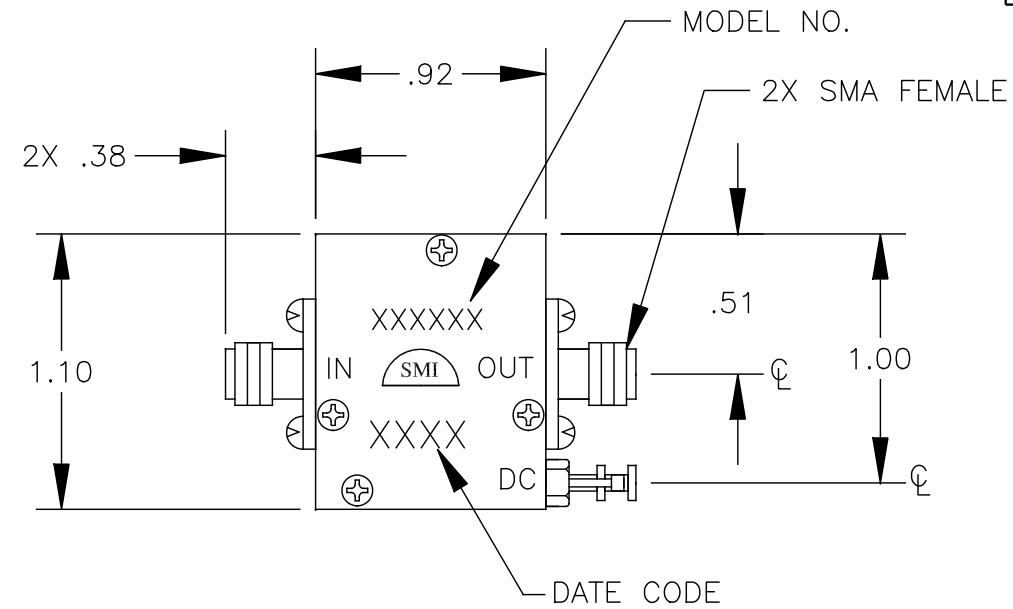


OTL_H2

REVISIONS

REV	DESCRIPTION	DATE	APPROVED
--	ECN 11150, RELEASE	12/12/01	RA 12/12/01



CAUTION

THIS ASSEMBLY CONTAINS PARTS SENSITIVE TO DAMAGE BY ELECTRO-STATIC DISCHARGE (ESD). USE ESD PRECAUTIONARY PROCEDURES WHEN TOUCHING, REMOVING OR INSERTING.

MATERIAL: ALU 6061-T651		DRAWN ADAM SIDLE		DATE 12/12/01		SPECTRUM MICROWAVE, INC 2707 BLACK LAKE PLACE PHILADELPHIA PA, 19154 (USA)		
FINISH: ELECTROLESS NICKEL		CHECKED		DATE				
DIMENSIONS: INCHES		ENGINEERING ARR		DATE 12/12/01		OUTLINE DRAWING H2 PACKAGE		
TOLERANCE		MANUFACTURING		DATE				
DEC.	.XX +/- .01	QUALITY	RA	DATE	12/12/01	SIZE	FSCM NO.	DWG NO.
	.XXX +/- .005					A	60979	OTL2310XXXX
ANG	.X DEG.					K:\ENGINEER\ACLTWIN\OTL\OTL_H2		SHEET 1 OF 1