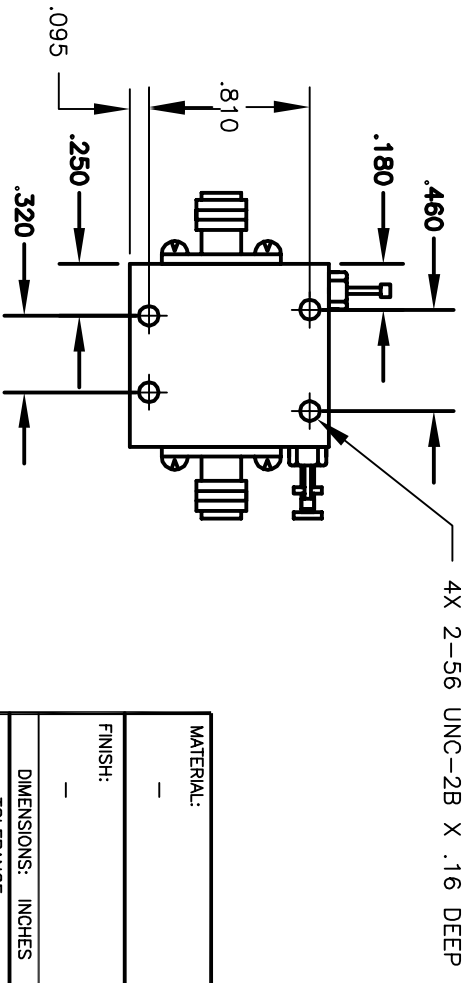
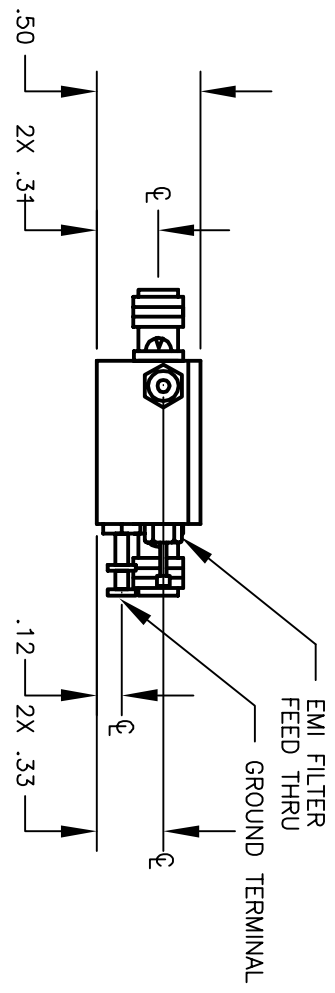
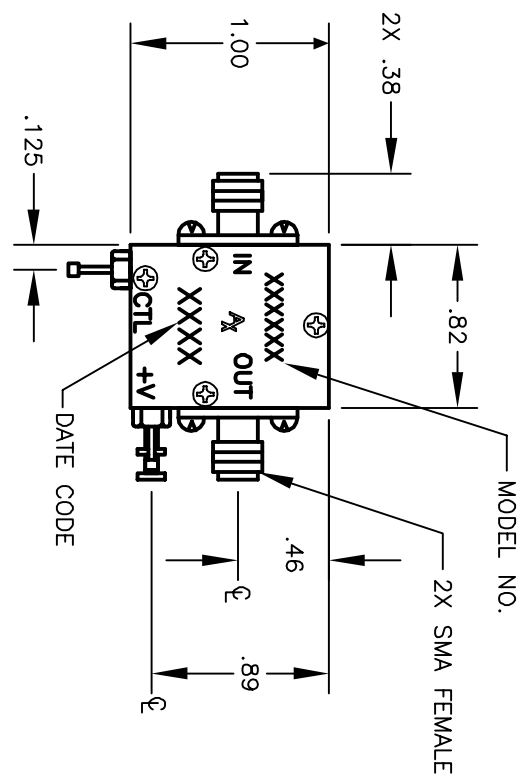


OTL_H6

REVISIONS

REV	DESCRIPTION	DATE	APPROVED
--	ECN 11236, RELEASE	2/6/02	RA 2/6/02



CAUTION
 THIS ASSEMBLY CONTAINS PARTS SENSITIVE TO DAMAGE BY ELECTRO-STATIC DISCHARGE (ESD). USE ESD PRECAUTIONARY PROCEDURES WHEN TOUCHING, REMOVING OR INSERTING.

MATERIAL:		DRAWN		DATE		PHILADELPHIA OPERATIONS 2707 BLACK LAKE PLACE PHILADELPHIA PA 19154 (USA)	
FINISH:		ADAM SIDLE		2/6/02			
DIMENSIONS: INCHES		CHECKED		DATE		OUTLINE DRAWING H6	
TOLERANCE		ENGINEERING		DATE			
DEC. .XX +/- .01		PR		2/6/02			
ANG .X DEG.		MANUFACTURING		DATE		SIZE A FSCM NO. 60979 DWG NO. OTL2310XXXX	
		QUALITY RA		DATE 2/6/02		K:\ENGINEER\AQLTWIN\OTL\OTL_H6 SH1 1 OF 1	