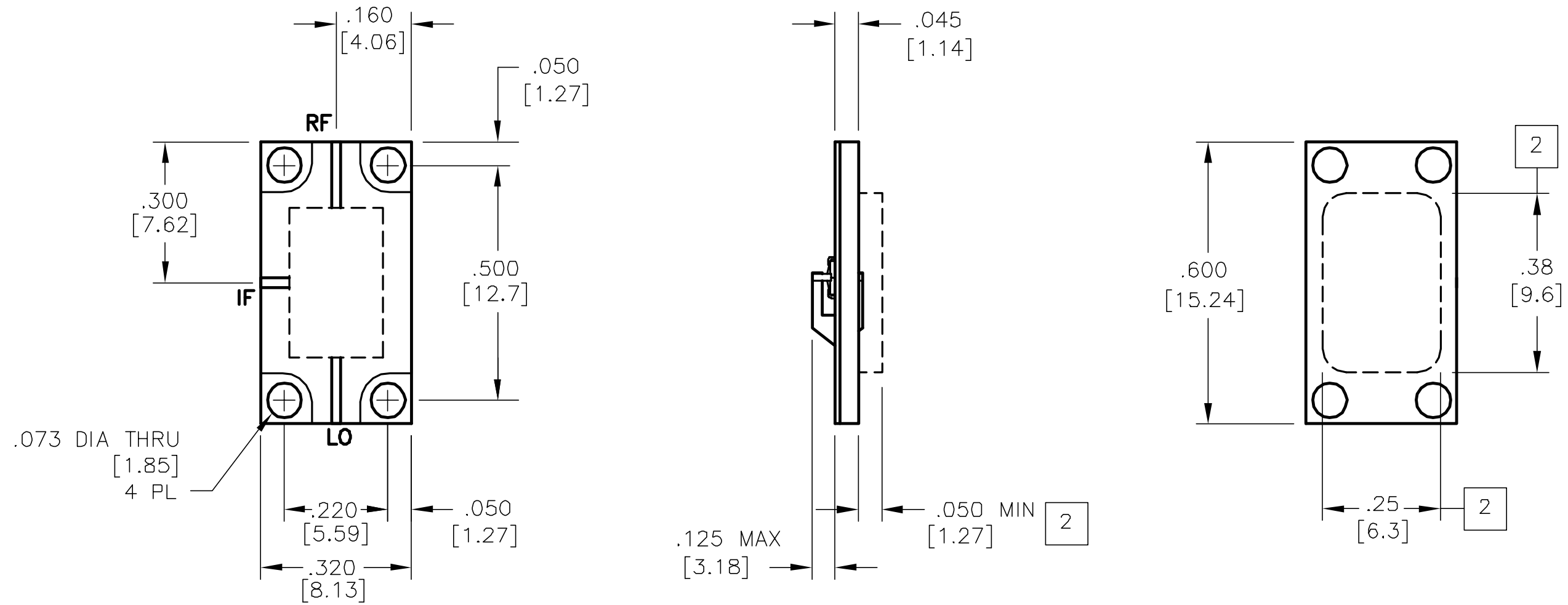
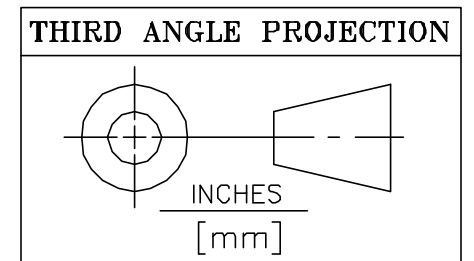


REVISIONS			
REV.	DESCRIPTION	DATE	APPROVALS
A	AS ISSUED	11/3/99	VT/



TOLERANCE:  
 INCHES .XX±.02  
 .XXX±.010  
 mm .X±.5  
 .XX±.25




2 RELIEF ON MOUNTING SURFACE REQUIRED FOR COMPONENT CLEARANCE.

1. LO, RF, AND IF TRACES ARE .02[0.5] WIDE SOLDER-COATED COPPER SUITABLE FOR SOLDER ATTACH.

NOTES: (UNLESS OTHERWISE SPECIFIED)

SEE SEPARATE PARTS LIST

UNLESS OTHERWISE SPECIFIED DIMENSIONS ARE IN INCHES TOLERANCES ARE: FRACTIONS DECIMALS ANGLES $\pm$ .005		CONTRACT NO.		 2144 Franklin Drive N.E. Palm Bay, Florida 32905		
		APPROVALS	DATE			
MATERIAL		DRAWN	V. TRINH	11/3/99	OUTLINE, MS3AL	
FINISH		CHECKED	P. YAW	11/5/99		
NEXT ASSY.	USED ON	SIZE	B	CAGE NO.	DWG NO.	REV.
APPLICATIONS		DO NOT SCALE DRAWING		Q.A.	4000479	A
		SCALE	4/1	SHEET 1 OF 1		