

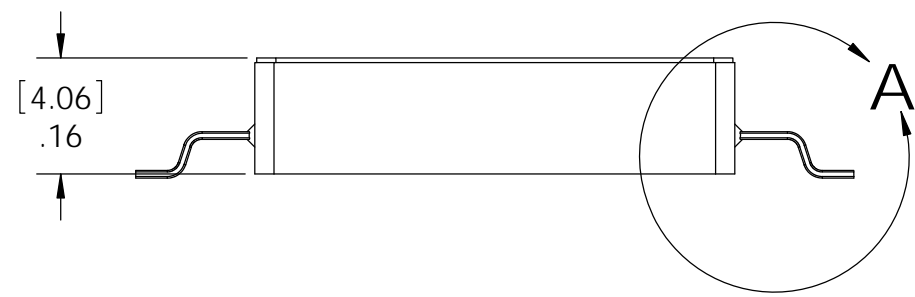
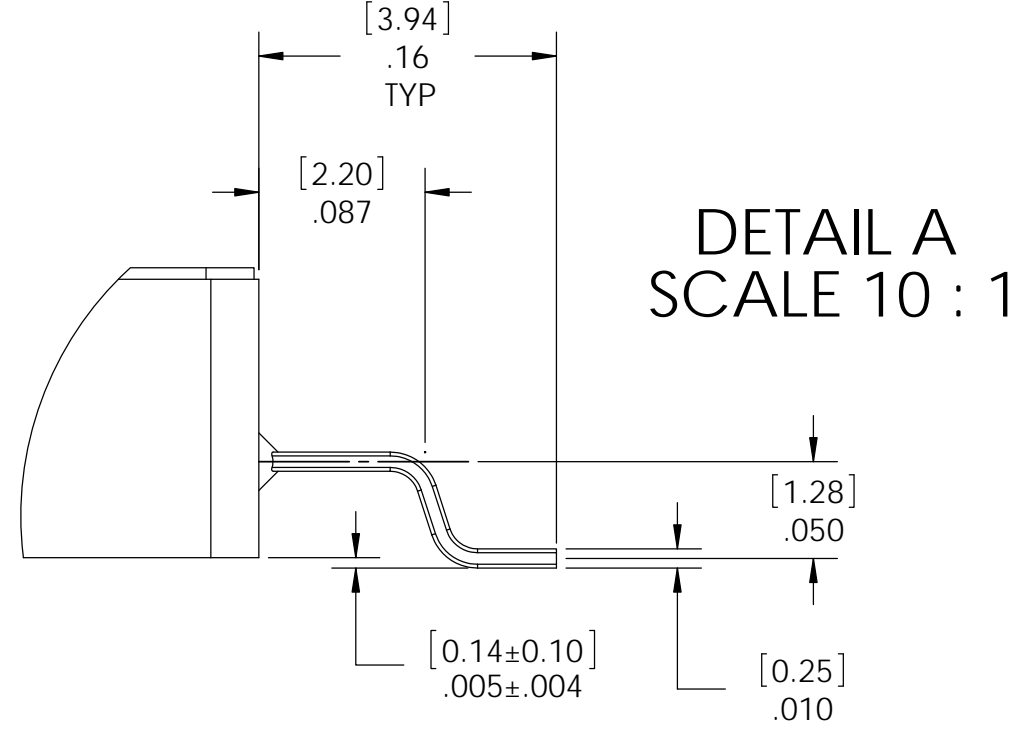
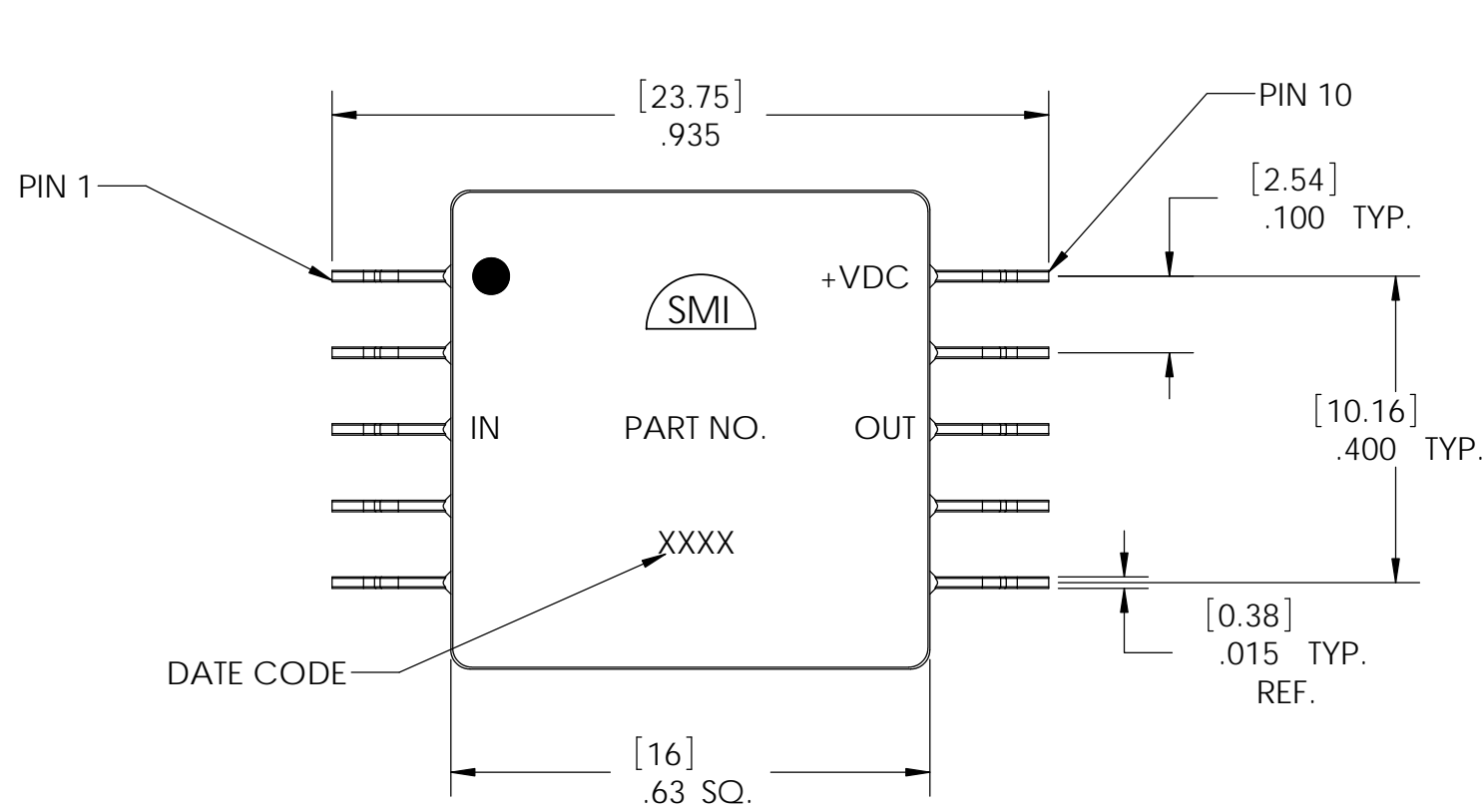
CAUTION

THIS ASSEMBLY CONTAINS PARTS SENSITIVE TO DAMAGE BY ELECTROSTATIC DISCHARGE (ESD). USE ESD PRECAUTIONARY PROCEDURES WHEN TOUCHING, REMOVING OR INSERTING

REVISIONS				
ECN	REV.	DESCRIPTION	CHNG/DATE	APPVD/DATE
--	P1	PRELIMINARY RELEASE	2012/05/14	
--	P2	TOL ADDED TO LEADS	2016/12/07	
27071	-	RELEASE	2017/07/25	2017/07/26 KHT

- NOTES:
- MATERIAL: KOVAR
 - FINISH: NICKEL/GOLD

PIN TABLE	
PIN 3	RF IN
PIN 8	RF OUT
PIN 10	DC
ALL OTHER	GROUND
CASE	GROUND



SEE SEPARATE PARTS LIST IN ELECTRONIC STORAGE

UNLESS OTHERWISE SPECIFIED		3rd ANGLE PROJECTION		SPECTRUM MICROWAVE, INC	
ANSI		DRAWN WAR		2707 Black Lake Place	
* INTERPRET DRAWING IAW ASME Y14.100-2004		CHECKED		Philadelphia, PA 19154-1008 (USA)	
* DIMENSIONING AND TOLERANCING IAW ASME Y14.5-1994		ENGRG PH		TITLE	
* PARENTHEICAL INFORMATION FOR REFERENCE ONLY		MFG		OUTLINE DRAWING	
* DIMENSIONAL LIMITS APPLY BEFORE PROCESSES		QA		SG-4	
* DIMENSIONS ARE IN INCHES		DATE 2012/05/14		SIZE B	
* TOLERANCES ARE: ANGLES ±1.0°		2012/05/14		CAGE CODE 60979	
* SURFACE FINISH 63		DWG NO. 088-00305		REV -	
* REMOVE ALL BURRS AND SHARP EDGES .010 RAD MAX.		SCALE: 4:1		SHEET 1 OF 1	
* CONCENTRICITY MACHINED DIA: .002 FIM		SHEET 1 OF 1			
* MACHINED TOOL MISMATCH: .002 MAX.					

SPECTRUM MICROWAVE PROPRIETARY INFORMATION
 THIS DOCUMENT IS THE SOLE PROPERTY OF SPECTRUM MICROWAVE, INC. THE RELEASE OF DATA CONTAINED IN THIS DOCUMENT AND THE REPRODUCTION OF THIS DOCUMENT, IN WHOLE OR IN PART, WITHOUT THE WRITTEN PERMISSION OF SPECTRUM MICROWAVE, INC ARE PROHIBITED.