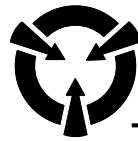


MATERIAL:

- 1. WALLS/BASE - CERAMIC/KOVAR
LEADS - KOVAR
LID - KOVAR
- 2. FINISH:
WALLS - GOLD/NICKEL PLATING
LEADS - GOLD/NICKEL PLATING
LID - NICKEL PLATING
- 3. DIMENSIONS ARE INCHES (mm)

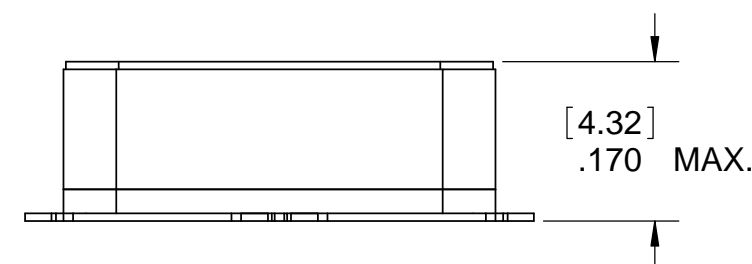
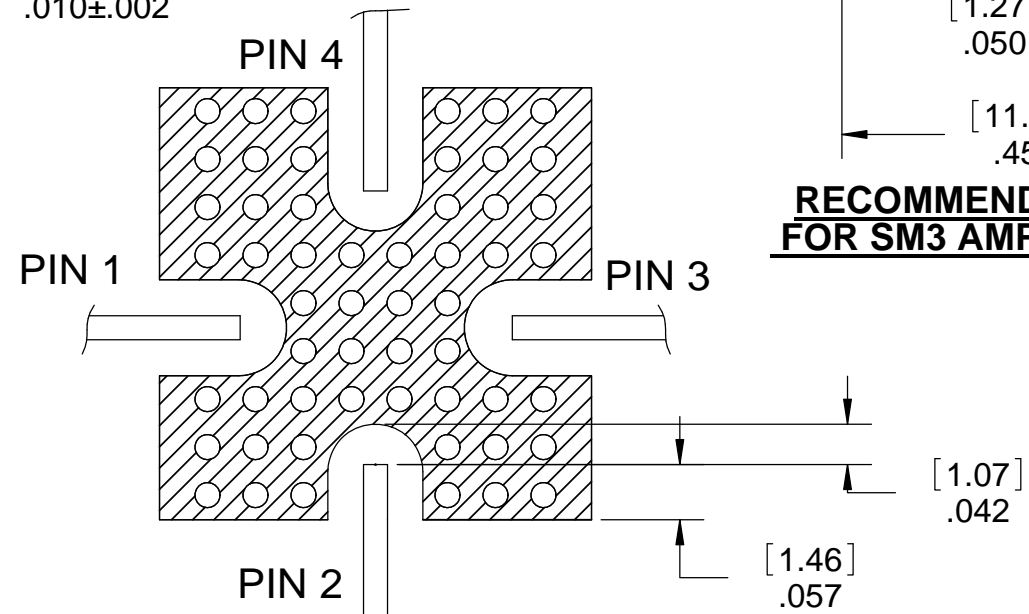
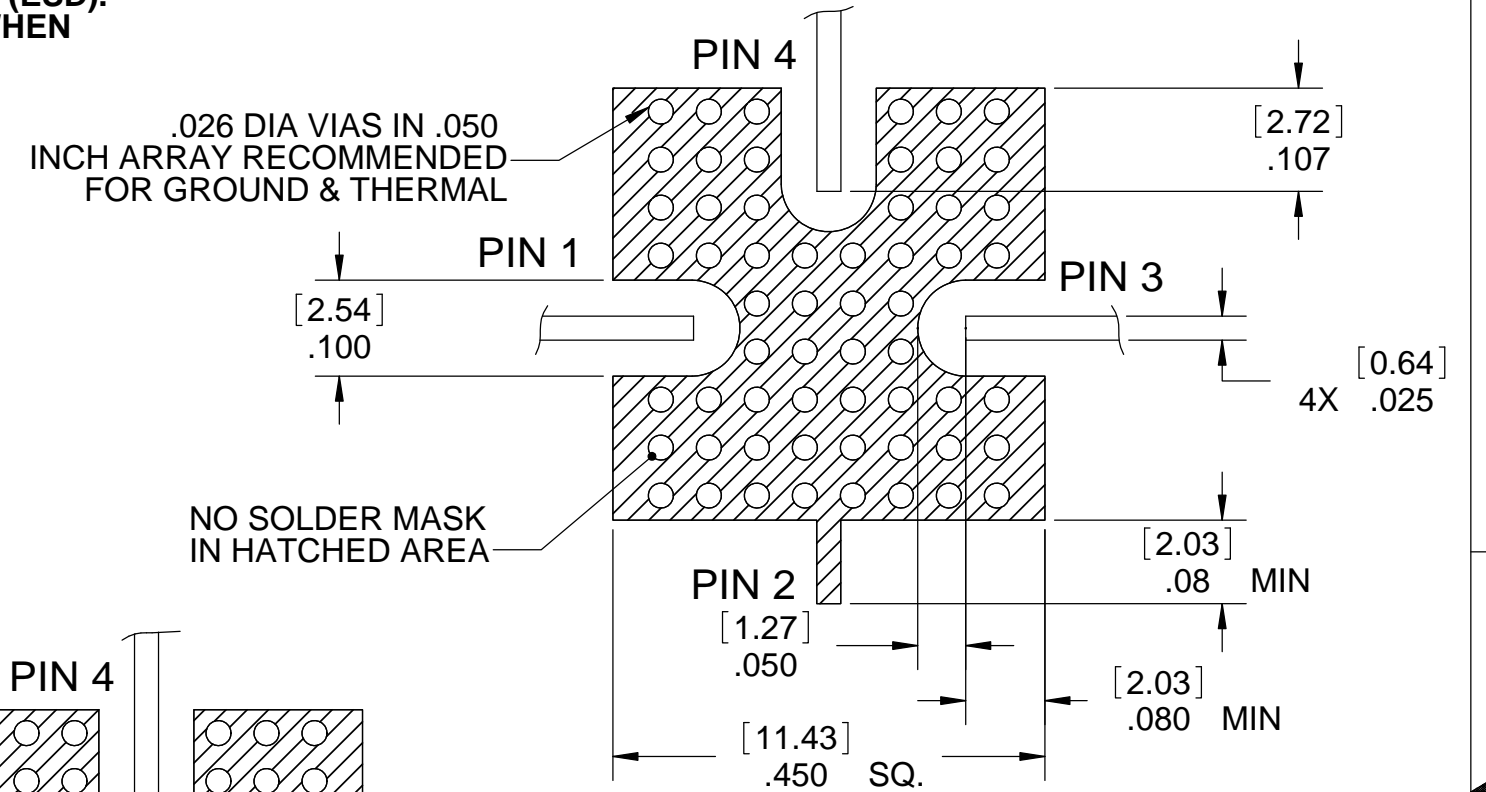
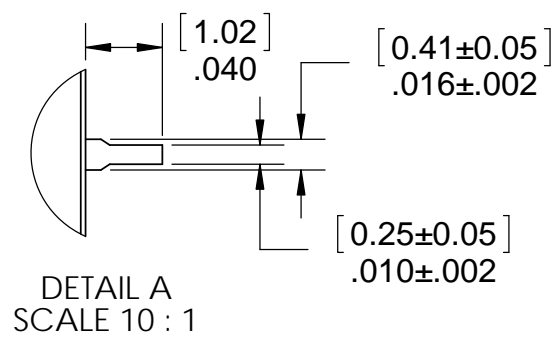
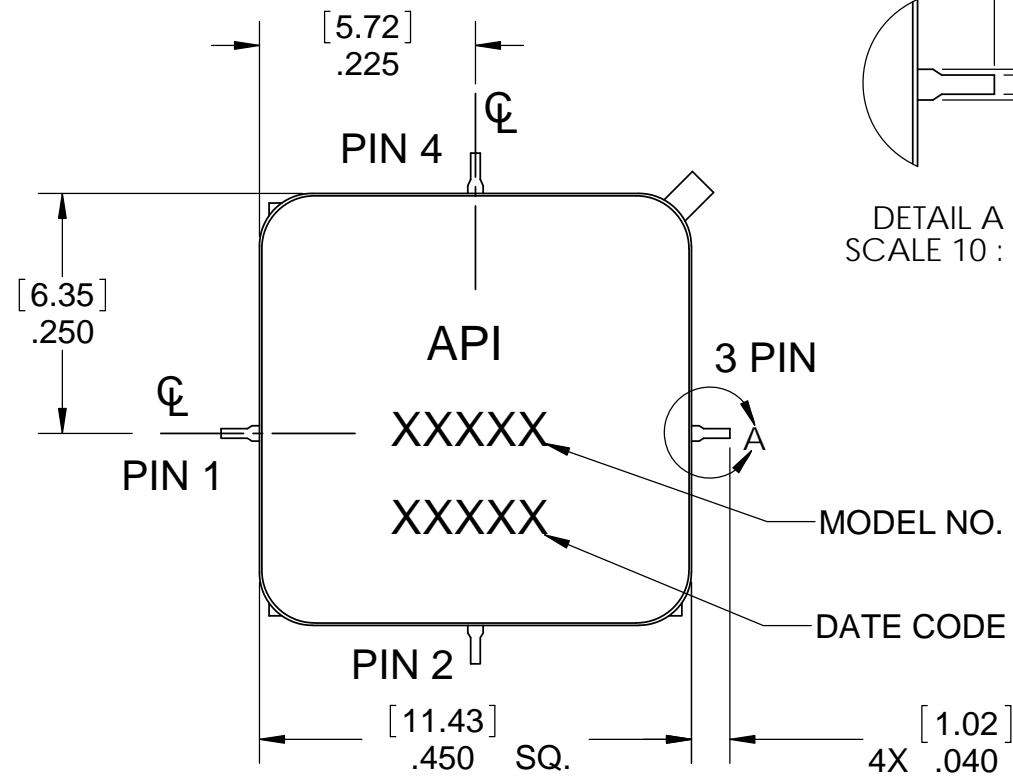


CAUTION

THIS ASSEMBLY CONTAINS PARTS SENSITIVE TO DAMAGE BY ELECTROSTATIC DISCHARGE (ESD). USE ESD PRECAUTIONARY PROCEDURES WHEN TOUCHING, REMOVING OR INSERTING

REVISIONS				
ZONE	REV.	DESCRIPTION	DATE	APPROVED
	-	INITIAL RELEASE	2011/03/17	
	A	ECN 27223 CHANGED TO MATCH 400-13760-0001 HEADER	2017/08/03	2017/08/07 KHT

PIN 1 - INPUT FOR AMPLIFIERS AND DETECTORS/CONTROL FOR VCO'S
 PIN 2 - GROUND FOR AMPLIFIERS/CONTROL FOR DETECTORS & ATTENUATORS
 (SEE FOOTPRINTS FOR DETAILS)
 PIN 3 - OUTPUT
 PIN 4 - +DC



UNLESS OTHERWISE SPECIFIED

3rd ANGLE PROJECTION

ANSI

* INTERPRET DRAWING IAW ASME Y14.100-2004
 * DIMENSIONING AND TOLERANCING IAW ASME Y14.5-1994
 * PARENTHETICAL INFORMATION FOR REFERENCE ONLY
 * DIMENSIONAL LIMITS APPLY BEFORE PROCESSES
 * DIMENSIONS ARE IN INCHES
 * TOLERANCES ARE: ANGLES ±1.0°
 * SURFACE FINISH 63
 * REMOVE ALL BURRS AND SHARP EDGES .010 RAD MAX.
 * CONCENTRICITY MACHINED DIA: .002 FIM
 * MACHINED TOOL MISMATCH: .002 MAX.

DRAWN	WAR	DATE	2011-03-17
CHECKED			
ENGRG	VB	DATE	2011-03-17
MFG			
QA	KT	DATE	2011-03-17

SPECTRUM MICROWAVE, INC 2707 Black Lake Place Philadelphia, PA 19154-1008 (USA)			
TITLE OUTLINE SM3			
SIZE	CAGE CODE	DWG NO.	REV
B	60979	088-00008	A
SCALE: DO NOT SCALE		SHEET	1 OF 1

SPECTRUM MICROWAVE PROPRIETARY INFORMATION
 THIS DOCUMENT IS THE SOLE PROPERTY OF SPECTRUM MICROWAVE, INC. THE RELEASE OF DATA CONTAINED IN THIS DOCUMENT AND THE REPRODUCTION OF THIS DOCUMENT, IN WHOLE OR IN PART, WITHOUT THE WRITTEN PERMISSION OF SPECTRUM MICROWAVE, INC ARE PROHIBITED.