

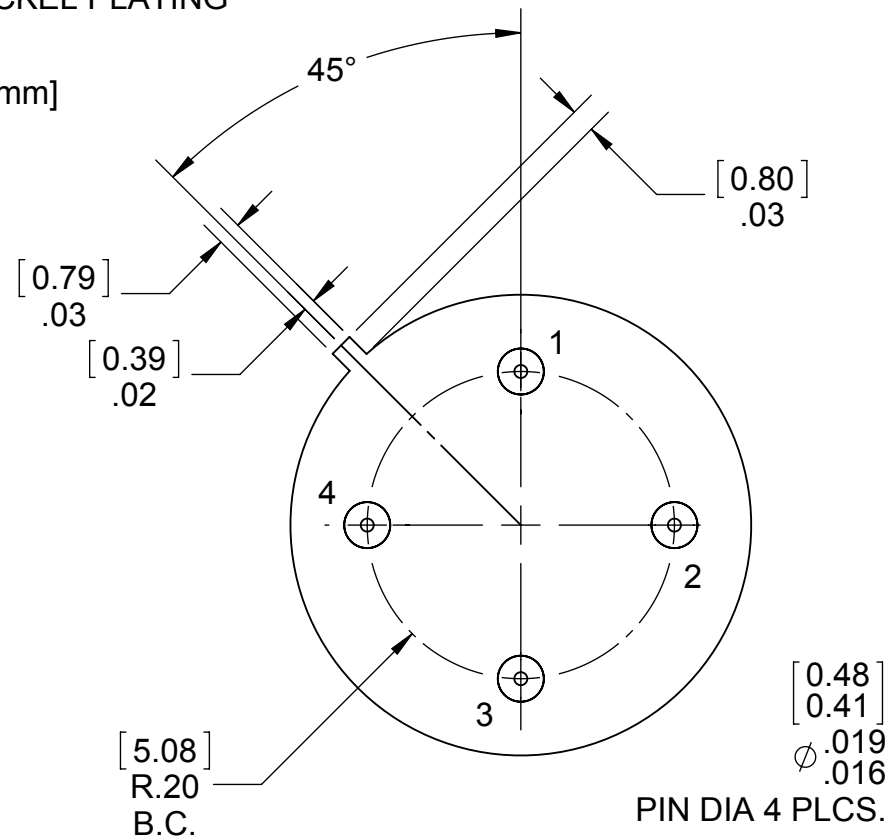
MATERIAL:

- 1. HEADER / LEADS - KOVAR
- 2. LID - NICKEL
- 3. FINISH:
HEADER / LEADS - GOLD/NICKEL PLATING
LID - NICKEL
- 4. DIMENSIONS ARE INCHES [mm]

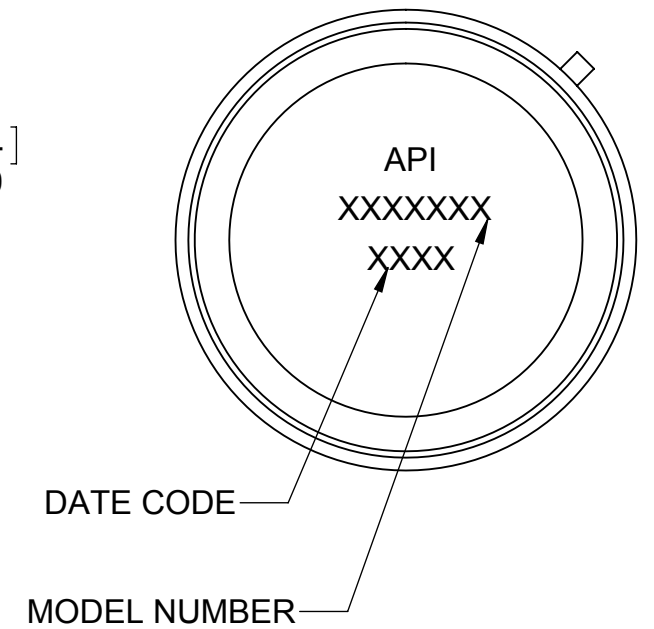
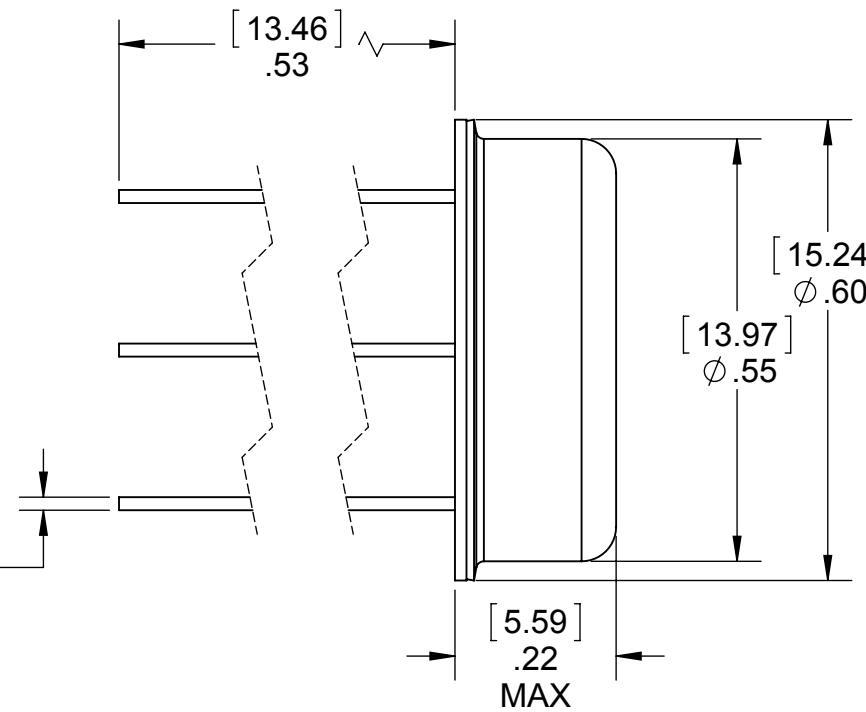
TOLERANCE	
.XX	± .02 [.5]
.XXX	±.010 [.25]

AMPLIFIER

- PIN 1 - +VDC VOLTAGE
- PIN 2 - 50 OHM INPUT
- PIN 3 - (GROUND) DC & RF
- PIN 4 - 50 OHM OUTPUT



BOTTOM VIEW



PRELIMINARY



CAUTION

THIS ASSEMBLY CONTAINS PARTS SENSITIVE TO DAMAGE BY ELECTROSTATIC DISCHARGE (ESD). USE ESD PRECAUTIONARY PROCEDURES WHEN TOUCHING, REMOVING OR INSERTING

API TECHNOLOGIES PROPRIETARY INFORMATION

THIS DOCUMENT IS THE SOLE PROPERTY OF SPECTRUM MICROWAVE, INC. THE RELEASE OF DATA CONTAINED IN THIS DOCUMENT AND THE REPRODUCTION OF THIS DOCUMENT, IN WHOLE OR IN PART, WITHOUT THE WRITTEN PERMISSION OF API TECHNOLOGIES CORP. ARE PROHIBITED.

UNLESS OTHERWISE SPECIFIED <small>* INTERPRET DRAWING IAW ASME Y14.100-2004 * DIMENSIONING AND TOLERANCING IAW ASME Y14.5-1994 * PARENTHETICAL INFORMATION FOR REFERENCE ONLY * DIMENSIONAL LIMITS APPLY BEFORE PROCESSES</small>	3rd ANGLE PROJECTION					PHILADELPHIA OPERATIONS 2707 BLACK LAKE PLACE, PHILADELPHIA PA. 19154 (USA)			
	DRAWN	WAR				DATE	2014-02-13	OUTLINE TO-8B PACKAGE	
	CHECKED				SIZE	CAGE CODE	DWG NO.		
	ENGRG	-			B	60979	088-00422	P1	
MFG				SCALE: DO NOT SCALE		SHEET 1 OF 1			
QA	KT								
DO NOT SCALE DRAWING									