

MATERIAL:

- 1. HEADER / LEADS - KOVAR
- 2. LID - NICKEL
- 3. FINISH:  
HEADER / LEADS - GOLD/NICKEL PLATING  
LID - NICKEL
- 4. DIMENSIONS ARE INCHES [mm]

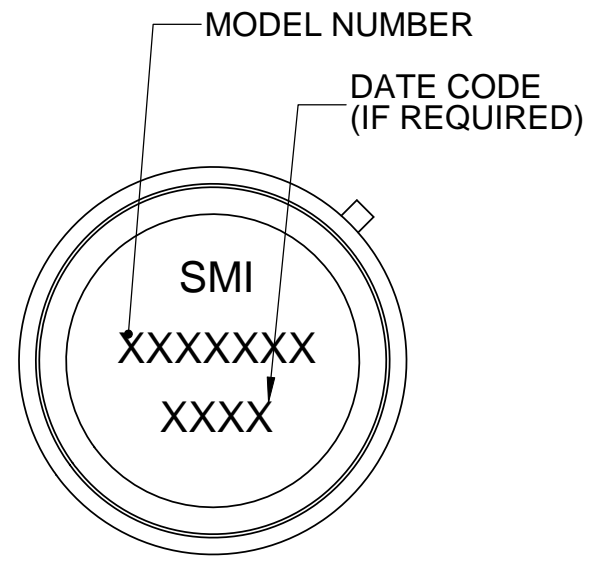
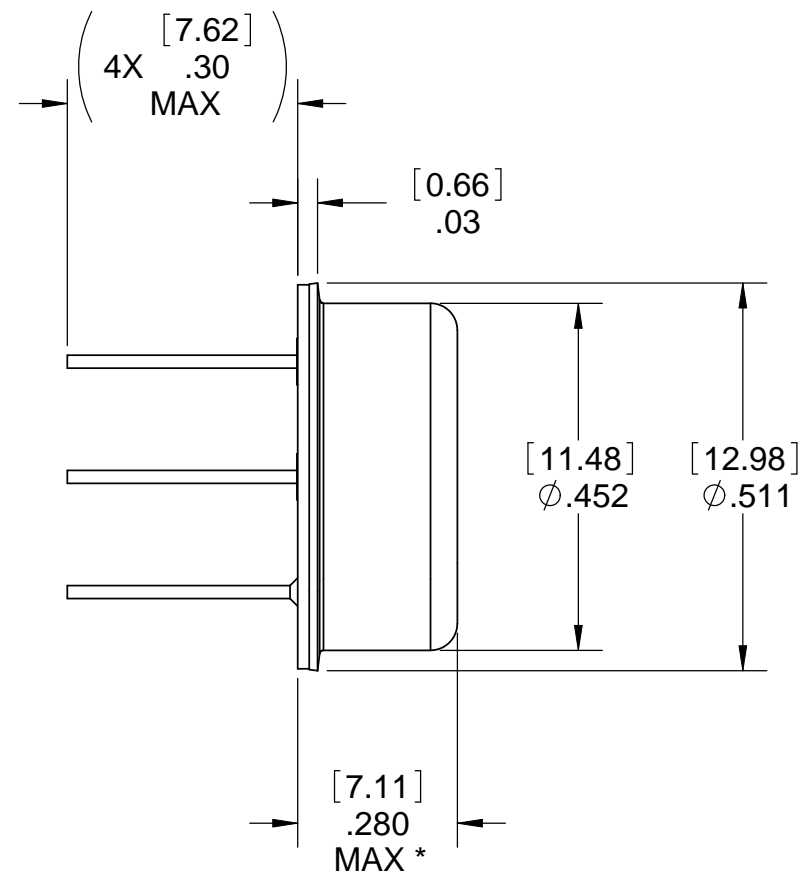
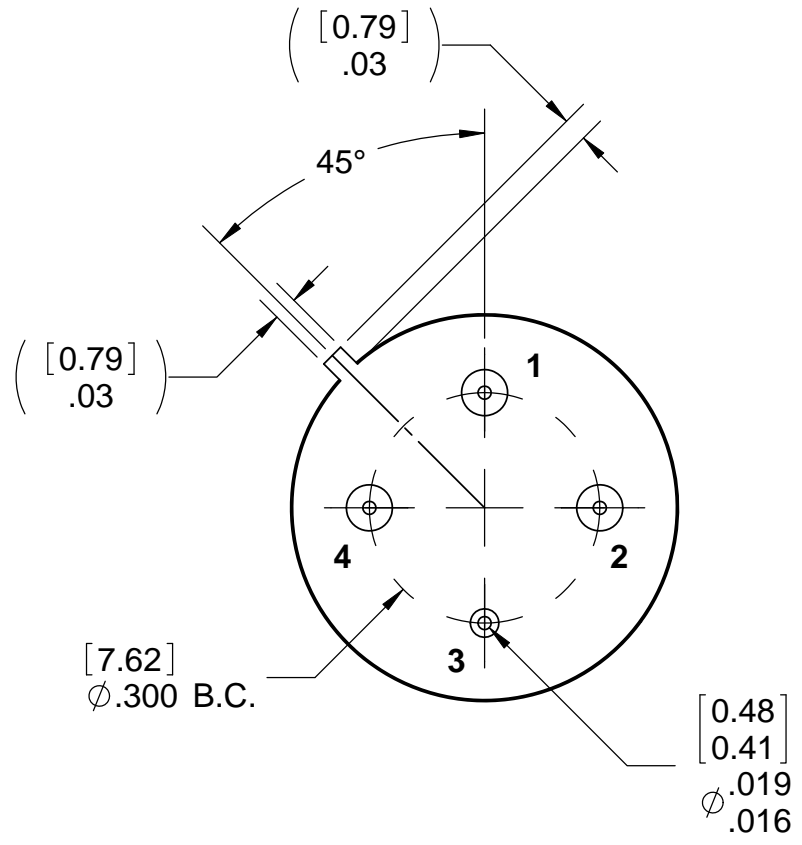
TOLERANCE	
.XX	± .02 [.5]
.XXX	±.010 [.25]

**AMPLIFIER**

- PIN 1 - +VDC VOLTAGE
- PIN 2 - 50 OHM INPUT
- PIN 3 - (GROUND) DC & RF
- PIN 4 - 50 OHM OUTPUT

**VCO**

- PIN 1 - +VDC VOLTAGE
- PIN 2 - TUNING VOLTAGE
- PIN 3 - (GROUND) DC & RF
- PIN 4 - 50 OHM OUTPUT



**PRELIMINARY**

\* COMPONENT HEIGHT MAY VARY  
ACCORDING TO SPECIFIC DEVICE  
CONSULT SPECTRUM MICROWAVE  
FOR ADDITIONAL INFORMATION  
IF REQUIRED



**CAUTION**

**THIS ASSEMBLY CONTAINS PARTS SENSITIVE  
TO DAMAGE BY ELECTROSTATIC DISCHARGE (ESD).  
USE ESD PRECAUTIONARY PROCEDURES WHEN  
TOUCHING, REMOVING OR INSERTING**

**SPECTRUM MICROWAVE PROPRIETARY INFORMATION**  
THIS DOCUMENT IS THE SOLE PROPERTY OF SPECTRUM MICROWAVE, INC.  
THE RELEASE OF DATA CONTAINED IN THIS DOCUMENT AND THE  
REPRODUCTION OF THIS DOCUMENT, IN WHOLE OR IN PART, WITHOUT THE  
WRITTEN PERMISSION OF SPECTRUM MICROWAVE, INC ARE PROHIBITED.

UNLESS OTHERWISE SPECIFIED		3rd ANGLE PROJECTION	
* INTERPRET DRAWING IAW ASME Y14.100-2004 * DIMENSIONING AND TOLERANCING IAW ASME Y14.5-1994 * PARENTHETICAL INFORMATION FOR REFERENCE ONLY * DIMENSIONAL LIMITS APPLY BEFORE PROCESSES		ANSI	
DRAWN	WAR	DATE	2012-04-17
CHECKED			
ENGRG	-		
MFG			
QA	KT	DATE	2012-04-17
DO NOT SCALE DRAWING			

<b>SPECTRUM MICROWAVE, INC</b> 2707 Black Lake Place Philadelphia, PA 19154-1008 (USA)			
TITLE <b>OUTLINE TO-8 PACKAGE</b>			
SIZE	CAGE CODE	DWG NO.	REV
<b>B</b>	<b>60979</b>	<b>088-00285</b>	<b>P1</b>
SCALE: DO NOT SCALE		SHEET 1 OF 1	