

Coaxial Trough Line Phase Shifters

DC To 18 GHz and DC-26.5 GHz Models



Features

- Type SMA Connectors Standard
- Options from DC-18 GHz, and DC-26.5 GHz
- High Performance, Trough Line Style Structure
- Military Grade Materials and Processing
- -40° to + 125°C Operating Temperature Range
- 6605, 6705, 6705K, 6805 Series

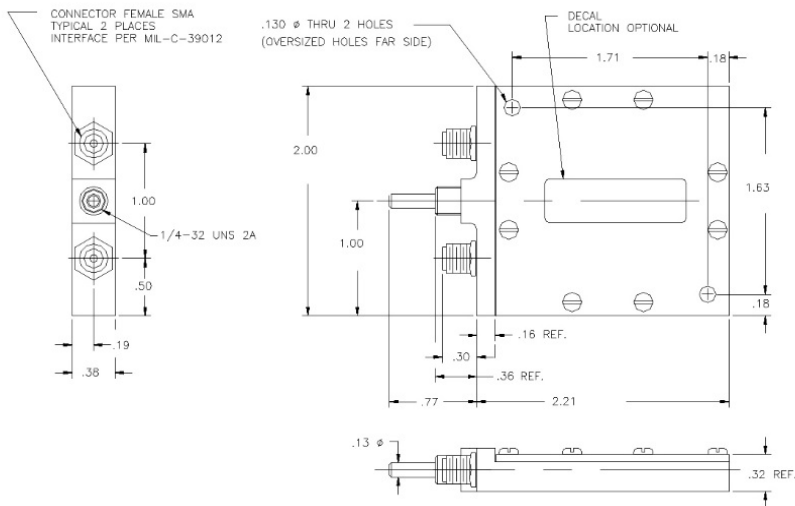
Technical Specifications

Model	6605	6705	6705K	6805
Frequency Range (GHz)	DC-18	DC-18	DC-26.5	DC-18
Phase Shift, min (°/GHz)	40	40	40	40
Phase Shift, min (°/GHz/Shaft Turn)	1.5	1.5	1.5	1.5
Insertion Phase, nom at Min Phase Setting (°/GHz)	140	140	130	150
Number of Turns, min	26	26	26	26
VSWR max				
DC to 18 GHz	1.60	1.60	1.60	1.60
18 to 26.5 GHz	NA	NA	2.00	NA
Insertion Loss, max (dB)				
DC to 18 GHz	1.50	1.50	1.25	1.50
18 to 26.5 GHz	NA	NA	1.75	NA
Power				
Average (Watts)	100	100	100	100
Peak (Watts)	1000	1000	1000	1000
Time Delay, nom (nsec) @ Min Phase Setting	0.4	0.4	0.4	0.4
Connectors	SMA	SMA	K	SMA
Weight				
Ounces	2.5	3.75	3.75	3.0
Grams	71	106	106	85

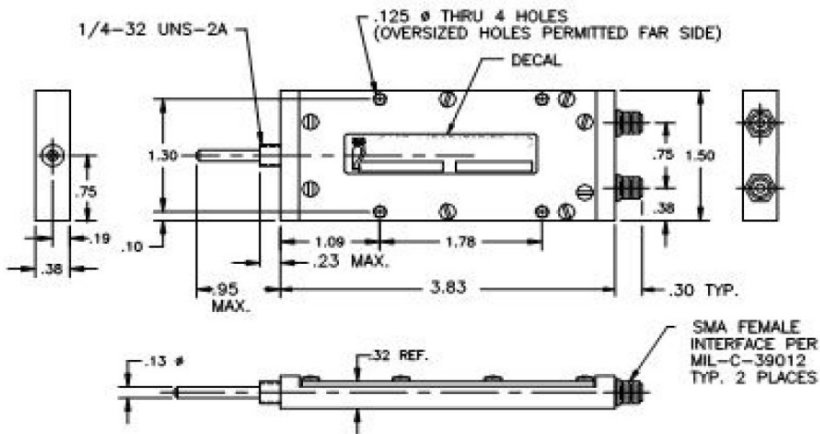
NOTES:

- 1 Degree per GHz of Phase Shift equals 2.78 picoseconds of time delay.
- Average and Peak Power are given at ambient temperature and altitude with Type SMA Connectors. Power is further limited by threshold level of selected connector style.

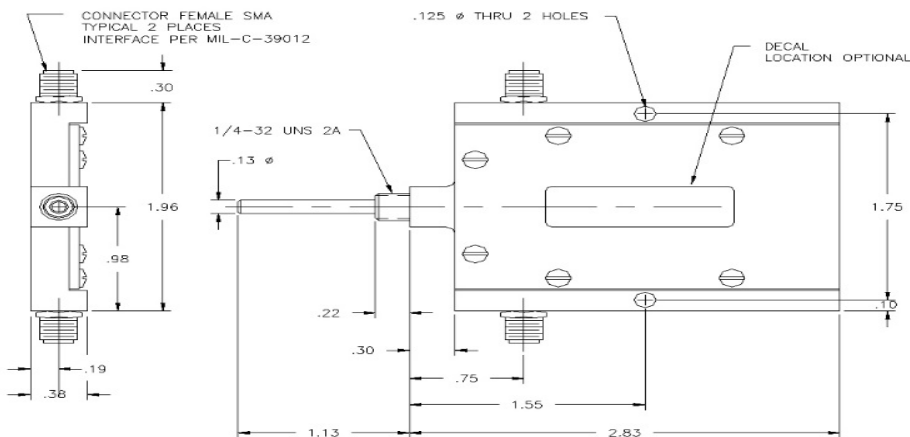
Model 6605



Models 6705 and 6705K



Model 6805



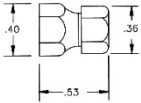
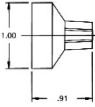

Trough Line Phase Shifters

Ordering Information

Drive Shaft and Connector Options:

1. Only the following standard control options are available. The -2 option is not available for the 6605 model. The base model is available without additional options.
2. Add suffix as designated below to the ordering model number.

Model # Plus	Description
-1	Shaft Lock
-2	Turns Counter With Built In Shaft Lock
-4	Screw Driver Slot
-5	Control Knob
-14	Shaft Lock With Screw Driver Slot
-15	Shaft Lock With Control Knob

(-1) SHAFT LOCK	(-2) TURNS COUNTER W/ SHAFT LOCK	(-5) CONTROL KNOB
		 <p data-bbox="1138 1094 1289 1115">D= 0.5" L=0.65</p>

NOTES:

1. API Technologies "Standard Warranty and Order Terms and Conditions" apply to all orders.
2. All specifications subject to change without notice.