

## Coaxial Trough Line Phase Shifters

DC-2 GHz, DC-4 GHz and DC-8 GHz Models Available



### Features

- Type SMA Connectors Standard
- DC-2 GHz, DC-4 GHz and DC-8 GHz Models Available
- High Performance, Trough Line Style Structure
- Military Grade Materials and Processing
- -40° to +125°C Operating Temperature Range
- 6706, 6707, 6708, 6806, 6808 Series

### Technical Specifications

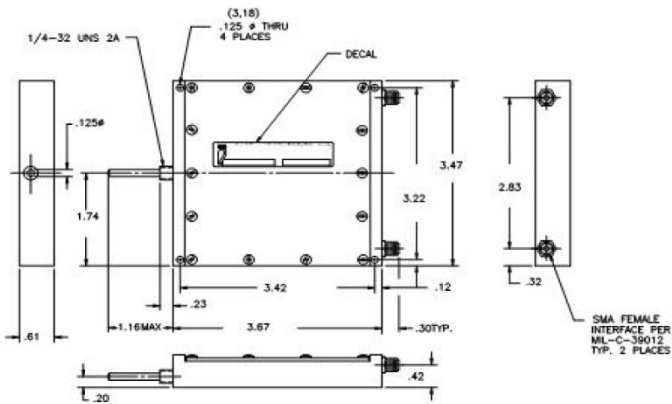
Model	6706	6806	6707	6708	6808
Frequency Range (GHz)	DC-2	DC-2	DC-4	DC-8	DC-8
Phase Shift, min (°/GHz)	290	290	145	72	72
Phase Shift, min (°/GHz/Shaft Turn)	9.7	9.7	4.9	2.4	2.4
Insertion Phase, Nominal@ Min Phase Setting (°/GHz)	540	550	290	170	180
Number of Turns, min	30	30	30	30	30
VSWR max	1.35	1.35	1.60	1.60	1.60
Insertion Loss, max (dB)	0.7	0.7	0.7	0.7	0.7
Power					
Average (Watts)	100	100	100	100	100
Peak (Watts)	1000	1000	1000	1000	1000
Time Delay, Nominal @ Min Phase Setting (nsec)	1.5	1.5	0.8	0.45	0.45
Weight					
Ounces	8.3	9.3	4.8	3.1	4.3
Grams	235	263	136	88	122

### NOTES:

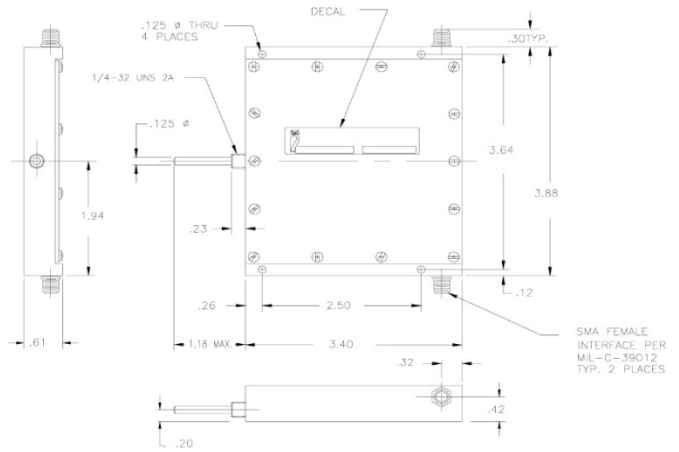
1. 1 Degree per GHz of Phase Shift equals 2.78 picoseconds of time delay.
2. Average and Peak Power are given at ambient temperature and altitude with Type SMA Connectors, Power is further limited by the power threshold level of selected connector style.

# Trough Line Phase Shifters

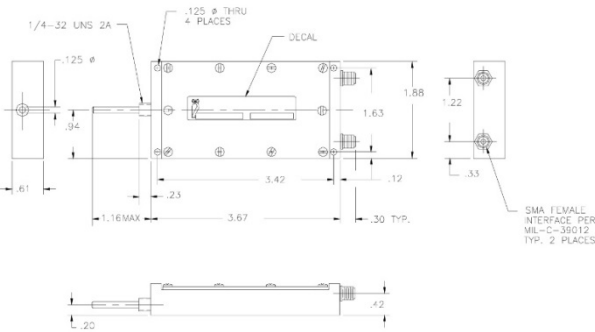
## Model 6706



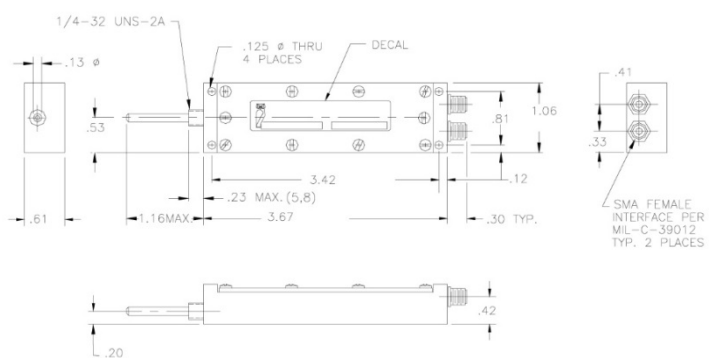
## Model 6806



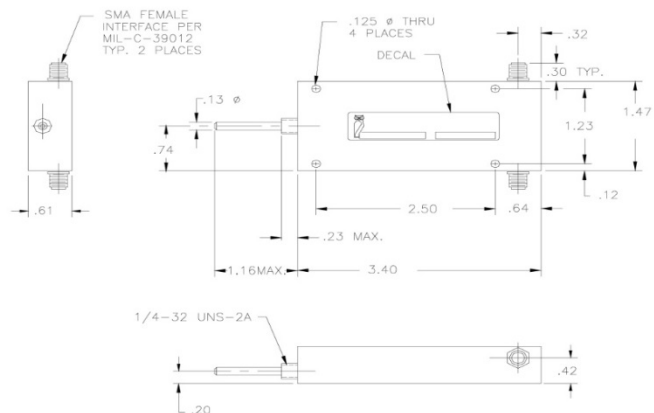
## Model 6707



## Model 6708



## Model 6808




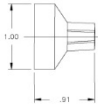

# Trough Line Phase Shifters

## Ordering Information

### Drive Shaft and Connector Options:

1. Only the following standard control options are available. The base model is available without additional options.
2. Add suffix as designated below to the ordering model number.

Model # Plus	Description
-1	Shaft Lock
-2	Turns Counter With Built In Shaft Lock
-4	Screw Driver Slot
-5	Control Knob
-14	Shaft Lock With Screw Driver Slot
-15	Shaft Lock With Control Knob

(-1) SHAFT LOCK	(-2) TURNS COUNTER W/ SHAFT LOCK	(-5) CONTROL KNOB
		 <p data-bbox="1146 1045 1295 1073">D= 0.5" L=0.65</p>

### NOTES:

1. API Technologies "Standard Warranty and Order Terms and Conditions" apply to all orders.
2. All specifications subject to change without notice.
3. Check "Ordering and Availability Listing" for delivery and ordering information.
4. Contact our local Manufacturers Representative for pricing.