

**4002 SERIES**

**FEATURES**

- Designed to Meet MIL-E-5400 Class 3
- SMA Female Connectors per MIL-PRF-39012
- High Isolation Wilkinson Circuit Design

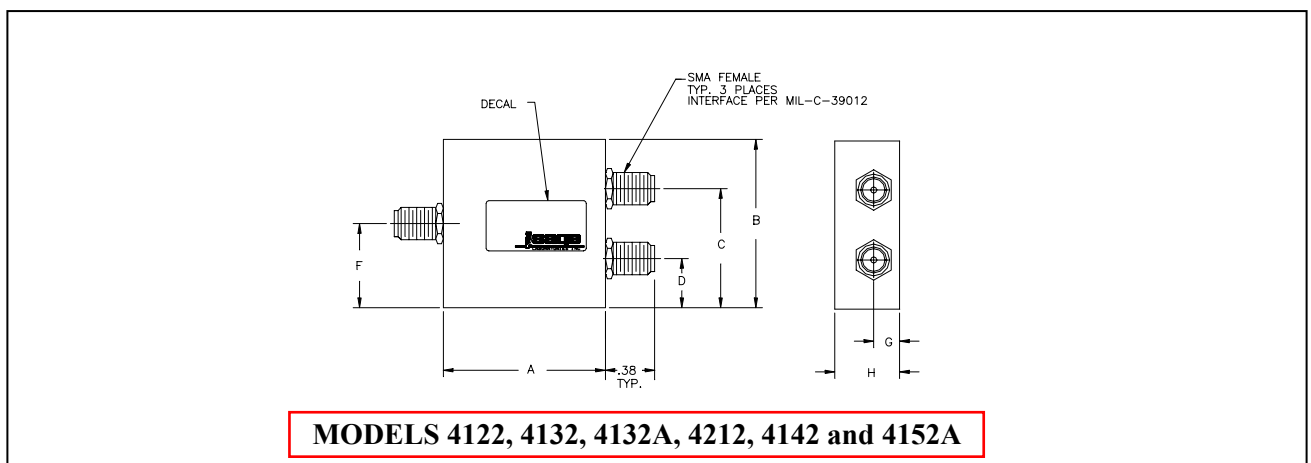
**SPECIFICATIONS**

| Frequency Range GHz | Insertion Loss max (dB) @ f (GHz) | VSWR max Input/Output | Isolation min (dB)                            | Amplitude Unbalance max (dB) | Phase Unbalance max (Degrees)              | Average Power <sup>1</sup> (W) @ 1 GHz | Model |
|---------------------|-----------------------------------|-----------------------|---|------------------------------|--|--|-------|
| 1-2                 | 0.3                               | 1.35/1.35             | 20  | 0.2                          | 2  | 15                                     | 4122  |
| 2-4                 | 0.3                               | 1.35/1.35             | 20  | 0.2                          | 3  | 5                                      | 4132  |
| 2.3-4.4             | 0.4                               | 1.25/1.30             | 20  | 0.2                          | 3  | 2                                      | 4132A |
| 3.7-4.2             | 0.4                               | 1.25/1.30             | 20  | 0.2                          | 3  | 2                                      | 4212  |
| 4-8                 | 0.4                               | 1.35/1.35             | 20  | 0.3                          | 3  | 2                                      | 4142  |
| 7.2-10.8            | 0.6                               | 1.50/1.35             | 20  | 0.4                          | 4  | 2                                      | 4152A |
| 2-18                | (Note 2)                          | 1.50/1.40             | 17 (2-3 GHz)<br>20 (3-5 GHz)<br>24 (5-18 GHz) | 0.2                          | 2 (2-3 GHz)<br>3 (3-5 GHz)<br>5 (5-18 GHz) | 5                                      | 4232  |

NOTES:

1. Input power with 1.5 max output systems VSWR.
2.  $0.6 + .07 \times f$  (GHz) dB max.
3. Input power with 1.5 max output load VSWR. Power handling is reduced when used as a combiner. Consult factory.

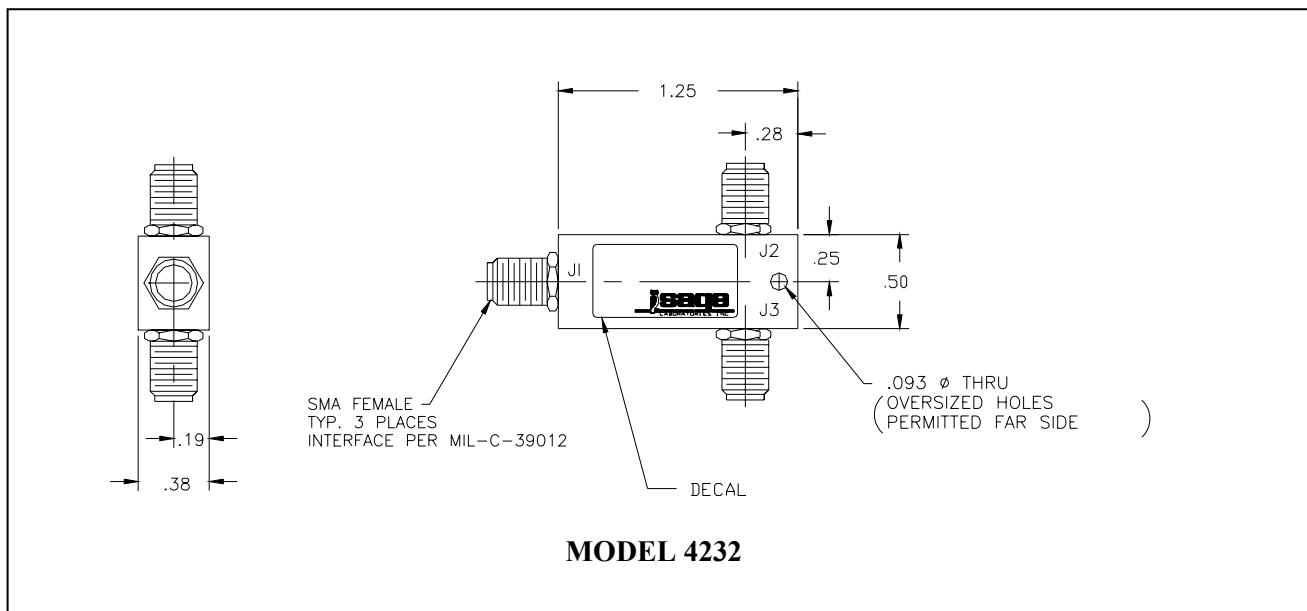
**OUTLINE DRAWING**



| Model | A"   | B"   | C"  | D"  | E"  | F"  | G"  | H"  |
|-------|------|------|-----|-----|-----|-----|-----|-----|
| 4122  | 4.00 | 1.30 | .92 | .38 | .38 | .65 | .20 | .50 |
| 4132  | 2.20 | 1.30 | .92 | .38 | .38 | .65 | .20 | .50 |
| 4132A | 1.98 | 1.16 | .85 | .31 | .38 | .58 | .25 | .50 |
| 4212  | 1.98 | 1.16 | .85 | .31 | .38 | .58 | .25 | .50 |
| 4142  | 1.50 | 1.00 | .70 | .30 | .38 | .50 | .20 | .50 |
| 4152A | 1.42 | 1.16 | .85 | .31 | .38 | .58 | .25 | .50 |

| Model | A (cm)  | B (cm) | C (cm) | D (cm) | E (cm) | F (cm) | G (cm) | H (cm) |
|-------|---------|--------|--------|--------|--------|--------|--------|--------|
| 4122  | (10,16) | (3,30) | (2,34) | (0,97) | (0,97) | (1,65) | (0,51) | (1,27) |
| 4132  | (5,59)  | (3,30) | (2,34) | (0,97) | (0,97) | (1,65) | (0,51) | (1,27) |
| 4132A | (5,03)  | (2,95) | (2,16) | (0,79) | (0,97) | (1,47) | (0,64) | (1,27) |
| 4212  | (5,03)  | (2,95) | (2,16) | (0,79) | (0,97) | (1,47) | (0,64) | (1,27) |
| 4142  | (4,06)  | (2,54) | (1,78) | (0,76) | (0,97) | (1,27) | (0,51) | (1,27) |
| 4152A | (3,61)  | (2,95) | (2,16) | (0,79) | (0,97) | (1,47) | (0,64) | (1,27) |

**OUTLINE DRAWING**



**MISCELLANEOUS:**

1. Spectrum Microwave "Standard Warranty and Order Terms and Conditions" apply to all orders.
2. All specifications subject to change without notice.
3. Check "Ordering and Availability Listing" for delivery and ordering information.
4. Contact our local Manufacturers Representative for pricing.

Specification Revision - 072710

