

345 and 351 Series

Miniature, In-Line Rotary Joints



Features

- Small Size & Lightweight
- Excellent Insertion Loss
- Designed for MIL-E-5400 Class II
- Weatherized Versions (345W, 345C, 345F)

Technical Specifications

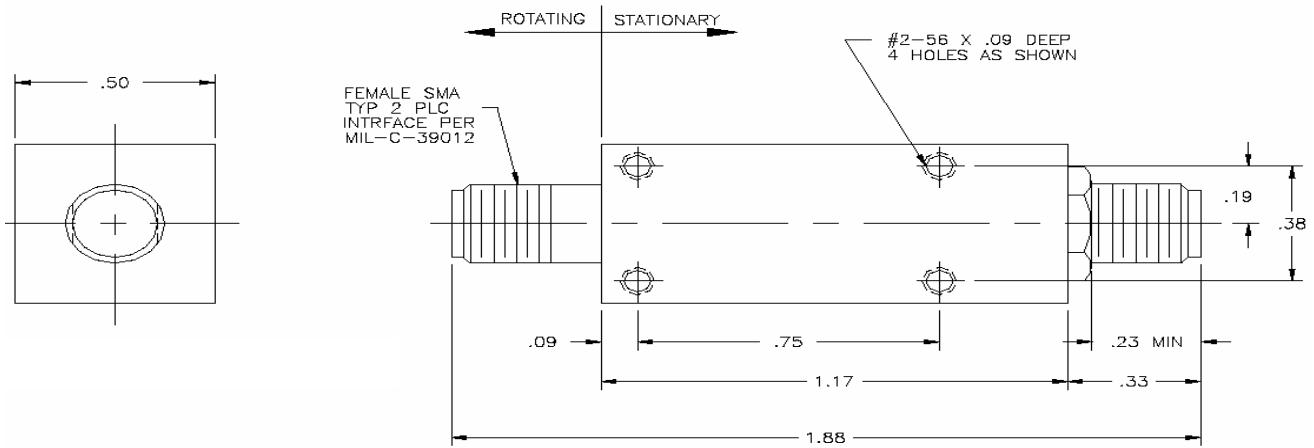
Model Number	Part Number	Frequency	Insertion Loss, Max (dB)	VSWR	VSWR Wow	Power at 1 GHz		DC Current Max (Amps)	Weight (Oz)	Torque (In-Oz)	Rotation Rate (RPM)	Connectors
						Peak (W)	Ave (W)					
345	P3-5196G1	DC-18	DC-10 GHz <0.2 dB	1.20:1	1.02	500	100	5	1.2	1.5	100	SMA
			10-18 GHz < 0.5 dB	1.35:1								
345W	P3-5196G2	DC-18	DC-10 GHz <0.2 dB	1.20:1	1.02	500	100	5	1.2	6.0	100	SMA
			10-18 GHz < 0.5 dB	1.35:1								
345C	P3-5196G3	DC-18	DC-10 GHz <0.2 dB	1.20:1	1.02	500	100	5	0.9	6.0	100	SMA
			10-18 GHz < 0.5 dB	1.35:1								
345F	P3-5196G15	DC-18	DC-10 GHz <0.2 dB	1.20:1	1.02	500	100	5	1.3	6.0	100	SMA
			10-18 GHz < 0.5 dB	1.35:1								
Model Number	Part Number	Frequency DC-40 (GHz)	Insertion Loss, Max (dB)	VSWR	VSWR Wow	Power at 1 GHz		DC Current Max (Amps)	Weight (Oz)	Torque (In-Oz)	Rotation Rate (RPM)	Connectors
						Peak (W)	Ave (W)					
351	P5-5424G1	DC - 10	0.25	1.30:1	1.05	500	50	3	0.5	5	250	2.92mm
		10-20	0.4	1.45:1								
		20 - 30	0.55	1.60:1	1.1							
		30 - 40	0.7	1.75:1								

NOTES:

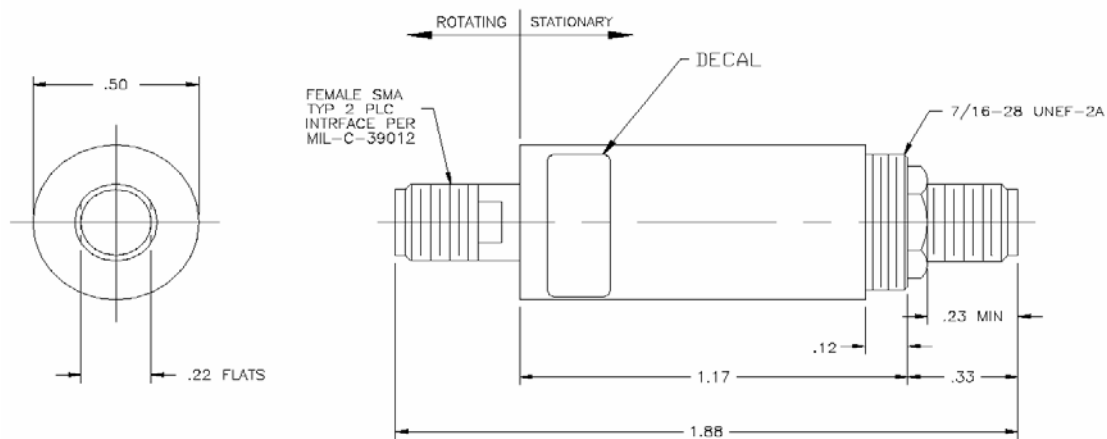
1. Refer to Power Derating Curves for rating other frequencies.
2. Average Power: 100 watts (500 watts Peak).

Miniature Rotary Joints

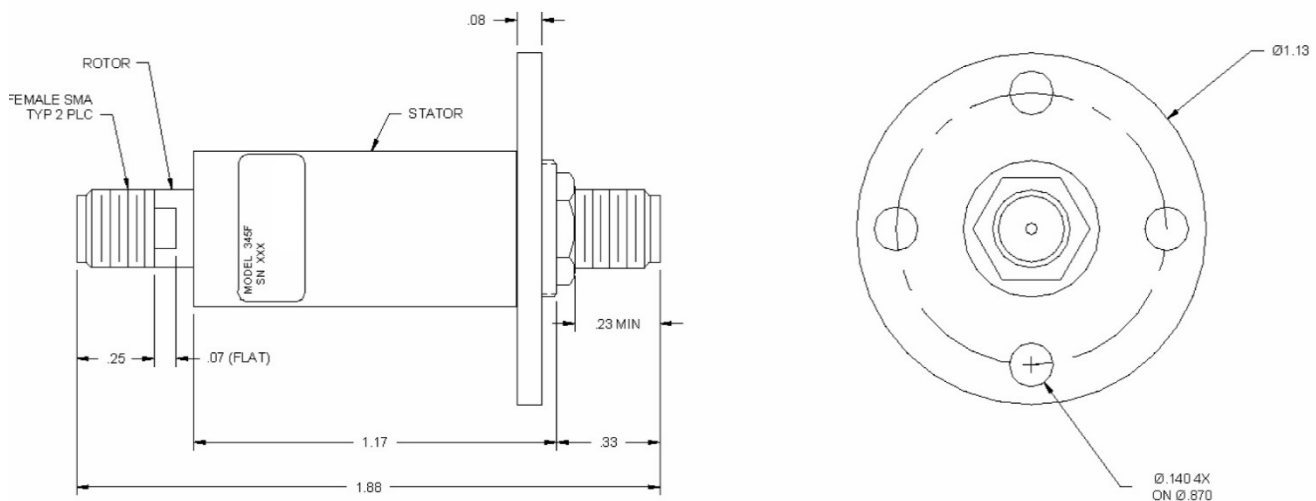
Models 345 and 345W



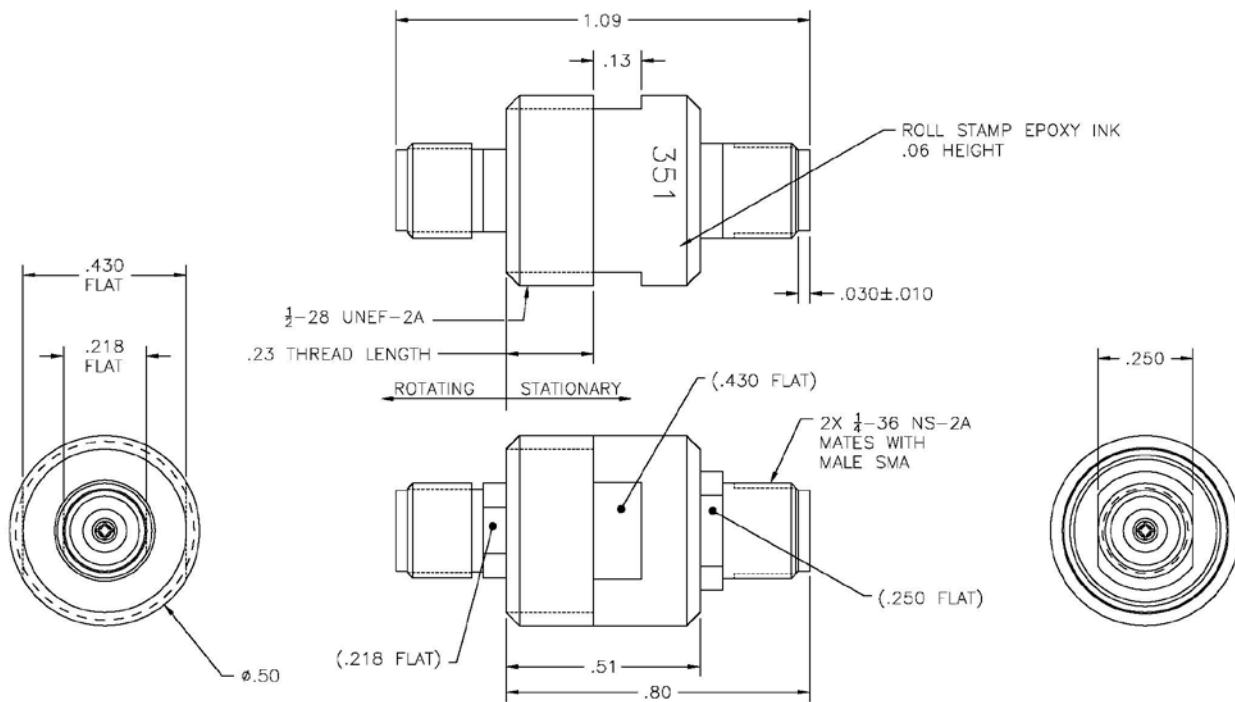
Model 345C



Model 345F



Model 351



NOTES:

- API Technologies "Standard Warranty and Order Terms and Conditions" apply to all orders.
- All specifications subject to change without notice.
- Check "Ordering and Availability Listing" for delivery and ordering information.
- Contact our local Manufacturers Representative for pricing.