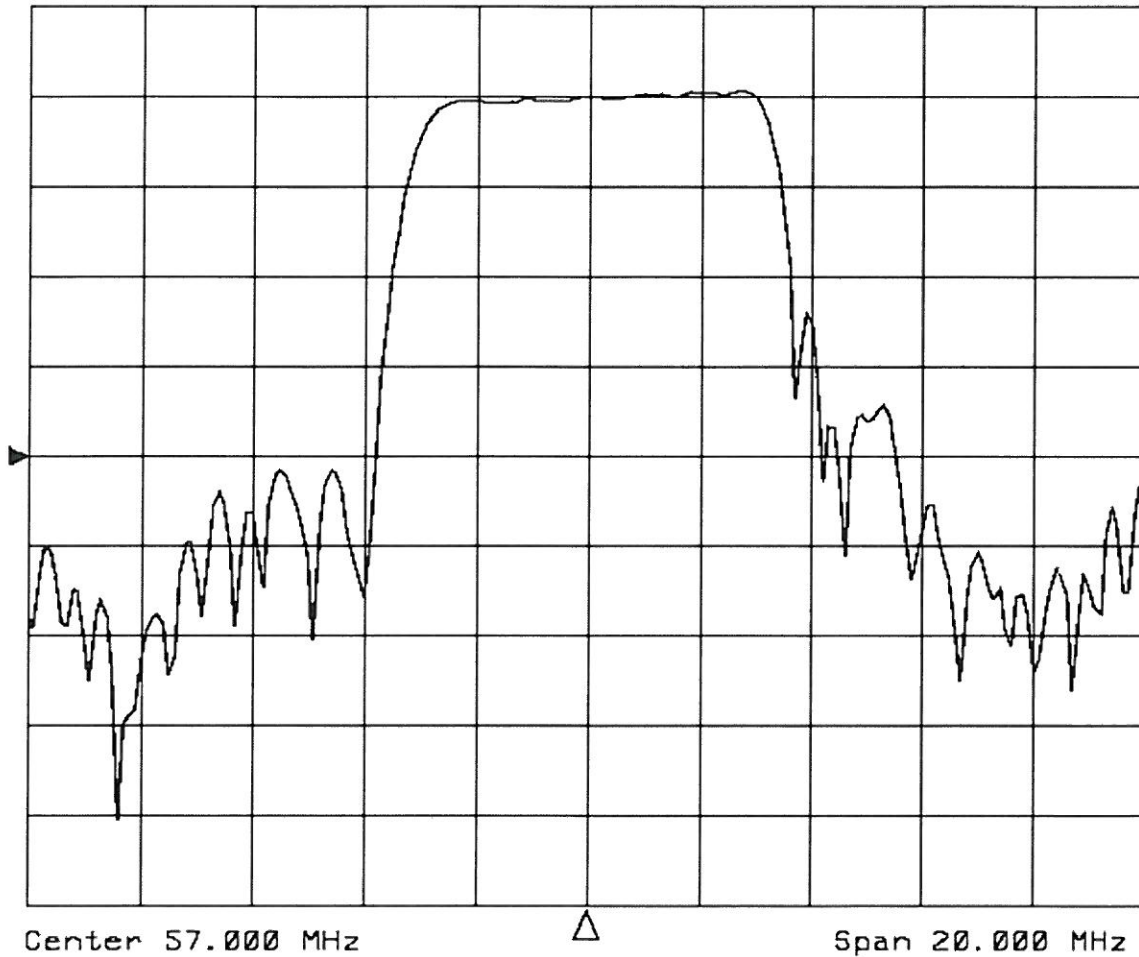


DESCRIPTION

- 57 MHz SAW filter with 5.38 MHz bandwidth for television intercarrier applications.
- 14.8 x 5.8 x 2.9 mm SIP-5H.
- RoHS compliant.

TYPICAL PERFORMANCE





SPECIFICATION

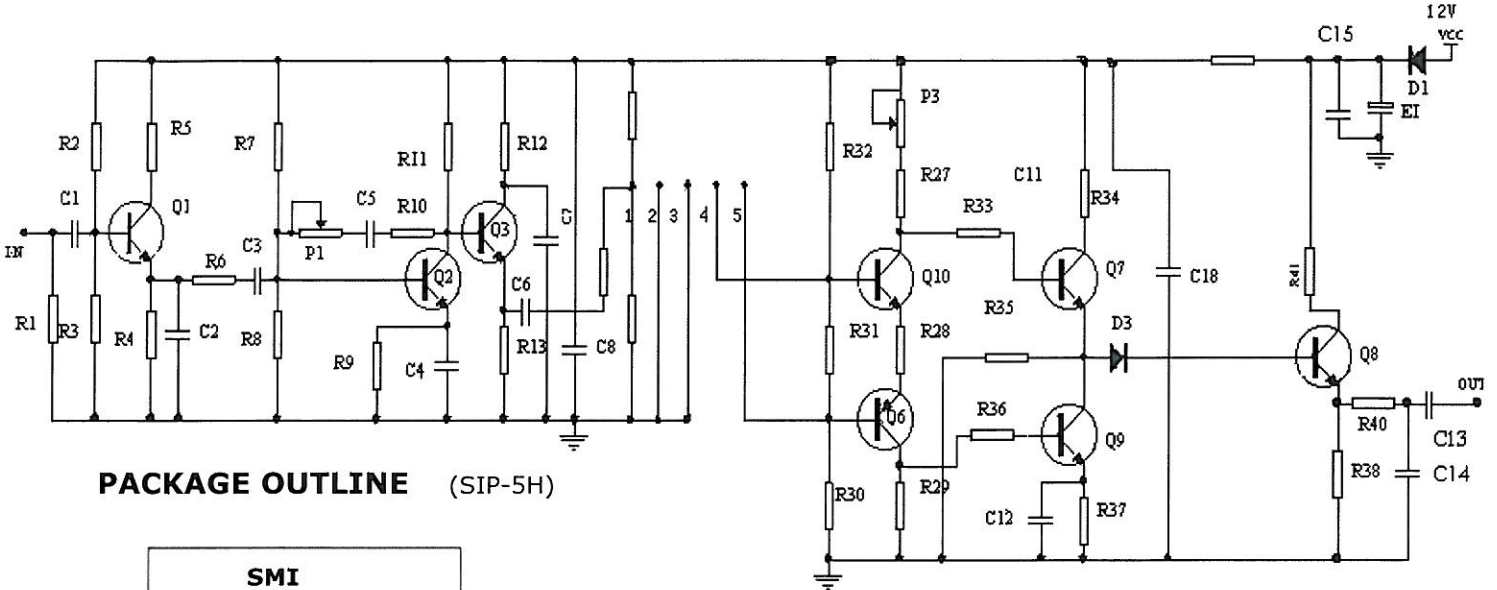
| Parameter | Min | Typ | Max | Units |
|---------------------------------------|--------------|-------|------|--------|
| Center Frequency (Fc) ¹ | - | 57.00 | - | MHz |
| Insertion Loss ² | 9.5 | 11.0 | 12.5 | dB |
| Attenuation at 52.750 MHz | - | -45 | -35 | dB |
| Attenuation at 53.500 MHz | - | -16 | -7 | dB |
| Attenuation at 54.190 MHz | -2.5 | -1.5 | - | dB |
| Attenuation at 57.000 MHz | - | 0 | - | dB |
| Attenuation at 59.810 MHz | -1.5 | 0.2 | - | dB |
| Attenuation at 60.250 MHz | - | -5.5 | -3.5 | dB |
| Attenuation at 61.096 MHz | - | -36 | -25 | dB |
| Attenuation at 64.750 MHz | | -55 | -40 | |
| Lower Sidelobe (46.750 to 52.750 MHz) | - | -41 | -33 | dB |
| Upper Sidelobe (62.382 to 68.002 MHz) | - | -41 | -33 | dB |
| Amplitude Ripple (54.190 to 59.810) | - | 0.5 | 1.0 | dB |
| Group Delay Ripple (54.190 to 59.810) | - | 40 | - | ns p-p |
| Reference Temperature | 25 | | | °C |
| Temperature Coefficient of Frequency | -72 | | | ppm/°C |
| Terminating Source Impedance | 50 | | | Ω |
| Terminating Load Impedance | 2 kΩ // 3 pF | | | - |

- Notes: 1. Reference Frequency.
 2. Shall be the reference level at 57.00 MHz for all dB limits in specification.

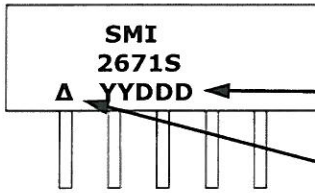
MAXIMUM RATINGS

| Parameter | Min | Max | Units |
|----------------------------------|-----|-----|-----------------|
| Storage Temperature Range | -40 | 85 | °C |
| Operating Temperature Range | -25 | 65 | °C |
| DC Voltage between any terminals | - | 12 | V _{DC} |
| AC Voltage between any terminals | - | 10 | V _{pp} |

TEST CIRCUIT

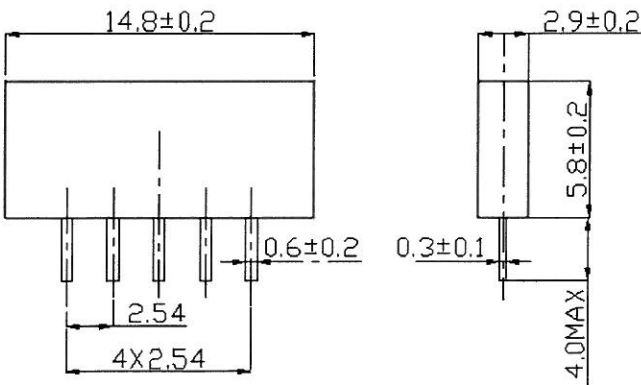
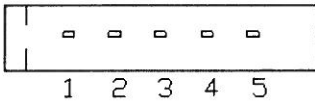


PACKAGE OUTLINE (SIP-5H)



Date Code (YY=year, DDD=day)

Pin 1 identifier (ESD Symbol)



Units: mm

Pin Configuration:

- Input: 1
- Input ground: 2
- Chip carrier ground: 3
- Output: 4
- Output: 5



All specifications are believed to be accurate and reliable. However, Spectrum Microwave reserves the right to make changes without notice.
 © 2011 All rights reserved.