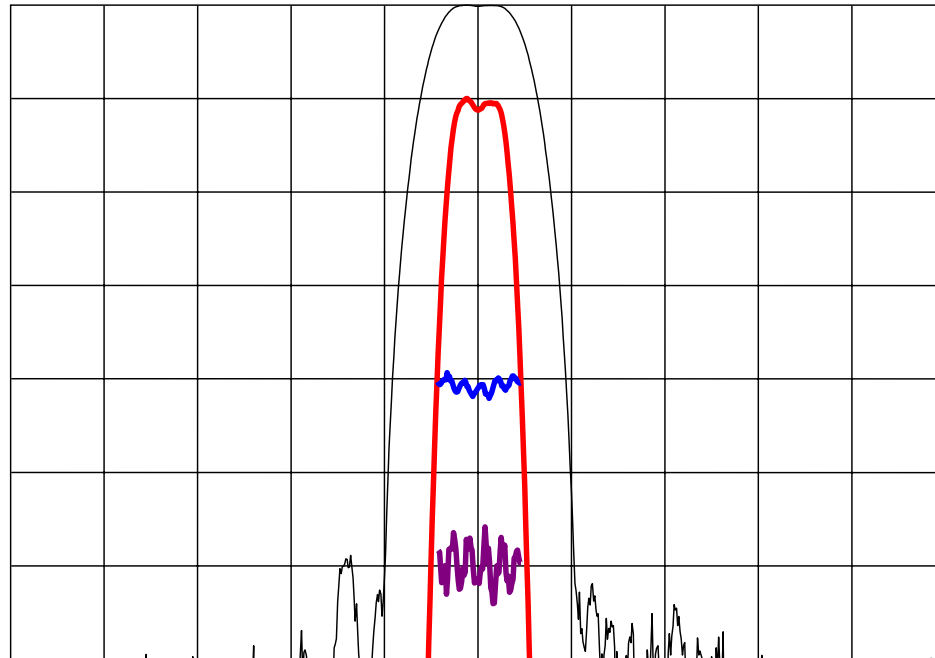


DESCRIPTION

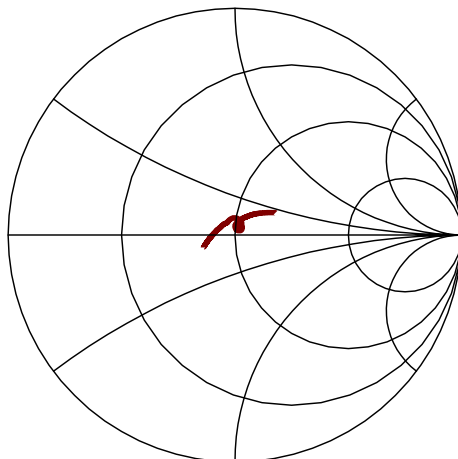
- 60 MHz SAW bandpass filter with 0.63 MHz bandwidth.
- 35.1 x 20.6 mm DIP package.
- RoHS compliant.

TYPICAL PERFORMANCE

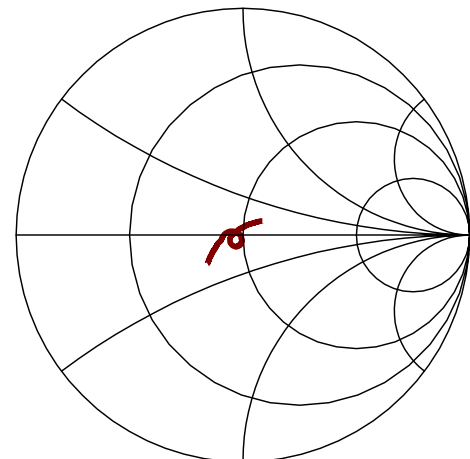


Horizontal: Frequency : 1 MHz/div
Vertical from Top: Relative Magnitude : 10 dB/div
Relative magnitude : 1 dB/div
Phase Linearity : 2 deg/div
Group Delay Deviation : 50 ns/div

S11



S22



SPECIFICATION

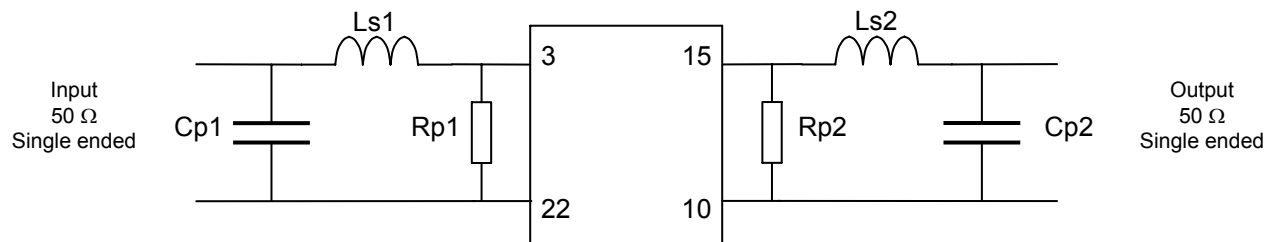
Parameter ¹	Min	Typ	Max	Units
Center Frequency (Fc) ¹	59.98	60.00	60.02	MHz
1 dB Bandwidth ²	0.63	0.70	-	MHz
3 dB Bandwidth ²	-	0.91	0.96	MHz
55 dB Bandwidth ²	-	1.99	2.10	MHz
Device Delay	-	2.85	3.00	us
Average Insertion Loss (59.685-60.315 MHz)	-	26.7	34.0	dB
Passband Amplitude Ripple ³	-	0.13	0.50	dB p-p
Passband Phase Ripple ³	-	0.4	4.0	deg p-p
Triple Travel and Spurious	55	60	-	dB
Input VSWR at Fc (23°C)	-	1.3	1.5	:1
Output VSWR at Fc (23°C)	-	1.3	1.5	:1
Source and Load Impedance	-	50	-	Ω
Ambient Temperature	-	25	-	°C

Notes: 1. Average of lower & upper 3 dB frequencies.
2. Referenced to the insertion loss of the device.
3. Defined as the difference between the highest and lowest levels in the minimum 1 dB bandwidth.

MAXIMUM RATINGS

Parameter	Min	Max	Units
Storage Temperature Range	-40	85	°C
Operating Temperature Range	-25	85	°C
Input Power Level	-	13	dBm

MATCHING CIRCUIT



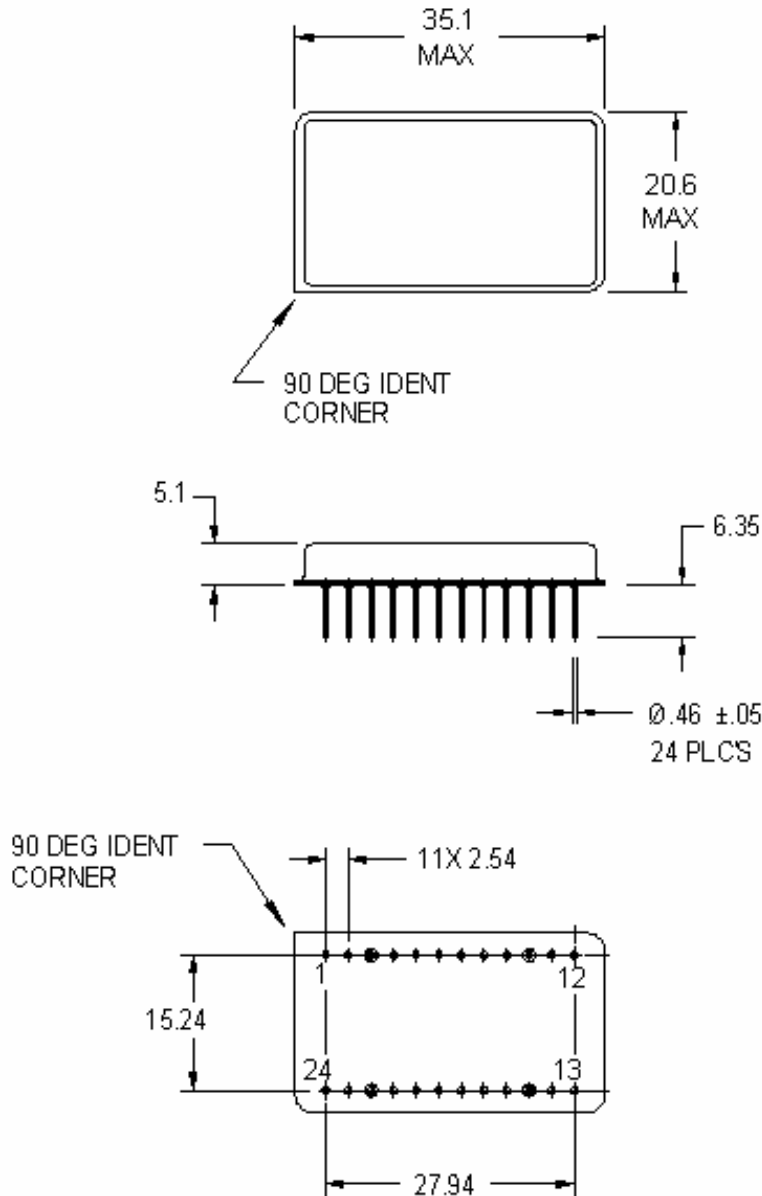
Typical component values:
(Minimum inductor Q = 40)

Ls1 = 240 nH	Ls2 = 240 nH
Cp1 = 33 pF	Cp2 = 33 pF
Rp1 = 200 Ω	Rp2 = 200 Ω

Notes

- Suggest the use of 2% tolerance matching components.
- Tuning values shown are for reference only. Optimum values may change depending upon board layout.

PACKAGE OUTLINE



Units: mm

Tolerances are ± 0.15 mm except for the overall length and width, which are nominal values.

Pin Configuration:

- Input: 3
- Input Ground: 22
- Output: 15
- Output Ground: 10
- Case Ground: All other pins

ISO 9001
Registered

All specifications are believed to be accurate and reliable. However, Spectrum Microwave reserves the right to make changes without notice.
 © 2010 All rights reserved.