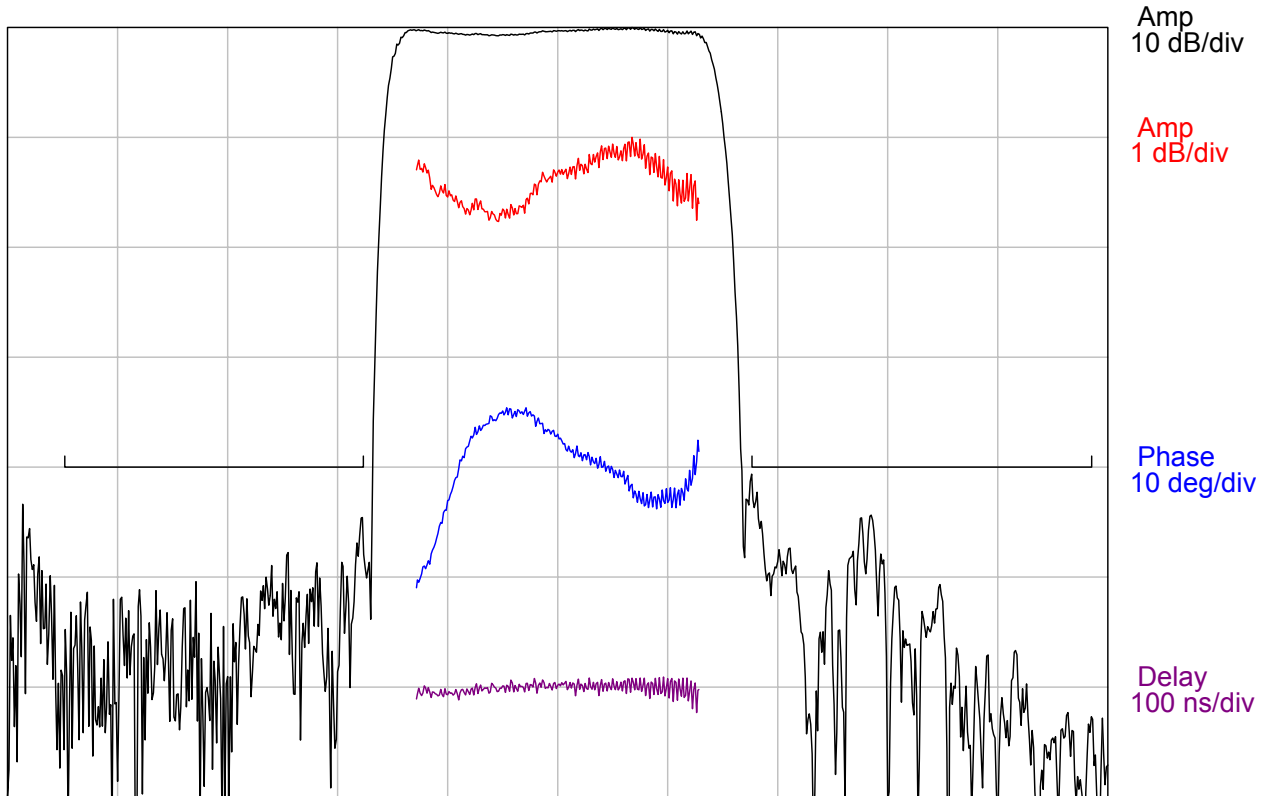


DESCRIPTION

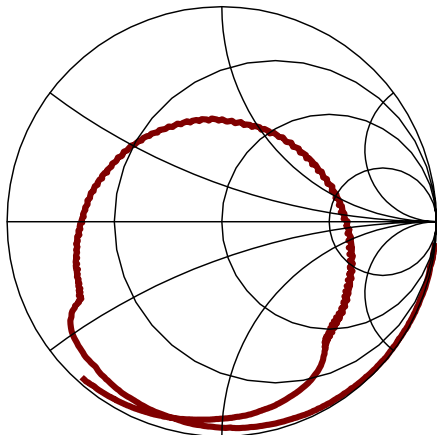
- 76.8 MHz SAW bandpass filter with 40 MHz bandwidth.
- 13.3 x 6.5 mm LCC package.
- RoHS compliant.

TYPICAL PERFORMANCE

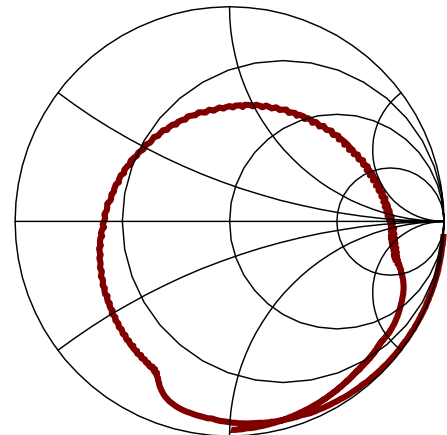


Center = 77.2 MHz, 15 MHz/div (187.5 kHz incr)

S11 (1.8-151.8 MHz)



S22 (1.8-151.8 MHz)



SPECIFICATION

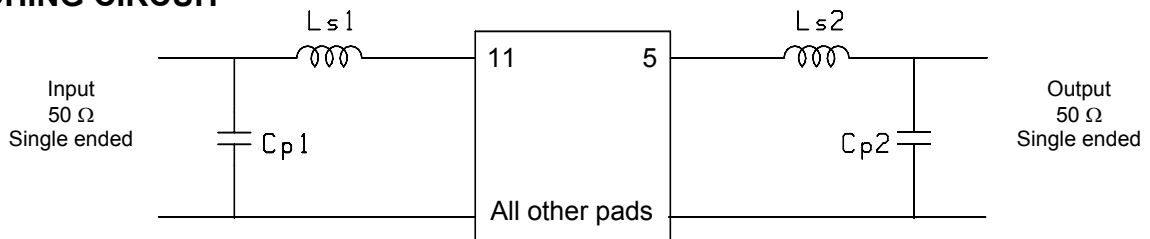
Parameter	Min	Typ	Max	Units
Center Frequency, F_C ¹	-	76.8	-	MHz
Insertion Loss	-	21.8	22	dB
1.5 dB Bandwidth	40	42.1	-	MHz
3 dB Bandwidth	42	43.6	-	MHz
40 dB Bandwidth	-	50.4	53	MHz
Amplitude Ripple ²	-	0.85	1	dB p-p
Group Delay Variation ²	-	28	50	ns p-p
Absolute Delay	-	0.95	-	us
Rejection (10 to 50.3 MHz) ³	40	44	-	dB
Rejection (103.3 to 150 MHz) ³	40	48	-	dB
Source and Load Impedance	50			ohms
Temperature Coefficient of Frequency	-86			ppm/°C
Ambient Temperature	-	70	-	°C

- Notes:
1. Reference frequency. Computed as mean of the 3 dB frequencies.
 2. Defined over $F_C \pm 19.25$ MHz.
 3. Dependent upon PC board layout.

MAXIMUM RATINGS

Parameter	Min	Max	Units
Storage Temperature Range	-25	85	°C
Operating temperature Range	65	75	°C
Input Power Level	-	13	dBm

MATCHING CIRCUIT

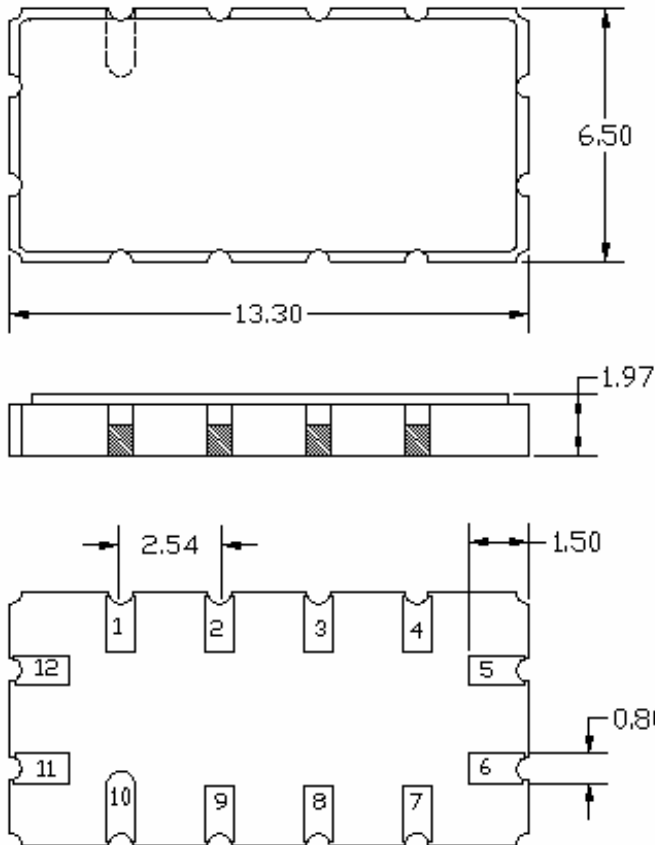


Typical Component values: $L_{s1} = 180$ nH $L_{s2} = 270$ nH
 $C_{p1} = 33$ pF $C_{p2} = 18$ pF

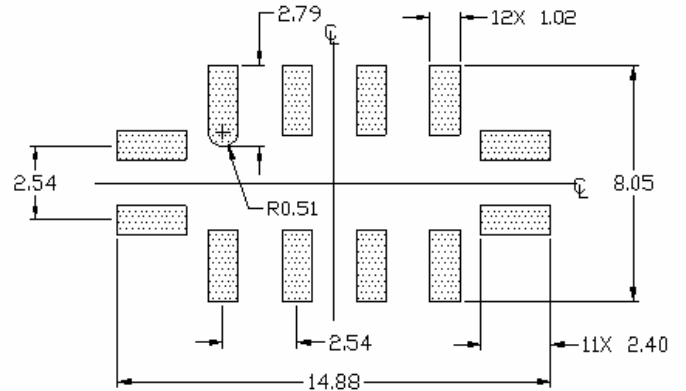
Notes:

- Recommend 2% or better tolerance matching components. Typical inductor $Q=40$.
- Optimum values may change depending on board layout. Values shown are intended as a guide only.

PACKAGE OUTLINE



SUGGESTED FOOTPRINT



Units: mm

Tolerances are ± 0.15 mm except where indicated.

Pad Configuration:

Input: 11
 Output: 5
 Ground: All other pads

Package Material:
 Body: Al_2O_3 ceramic
 Lid: Kovar, Ni plated
 Terminations: Au plating 1 μ m min,
 over a 1.3-8.9 μ m Ni plating

ISO 9001
Registered

All specifications are believed to be accurate and reliable. However, Spectrum Microwave reserves the right to make changes without notice.
 © 2010 All rights reserved.