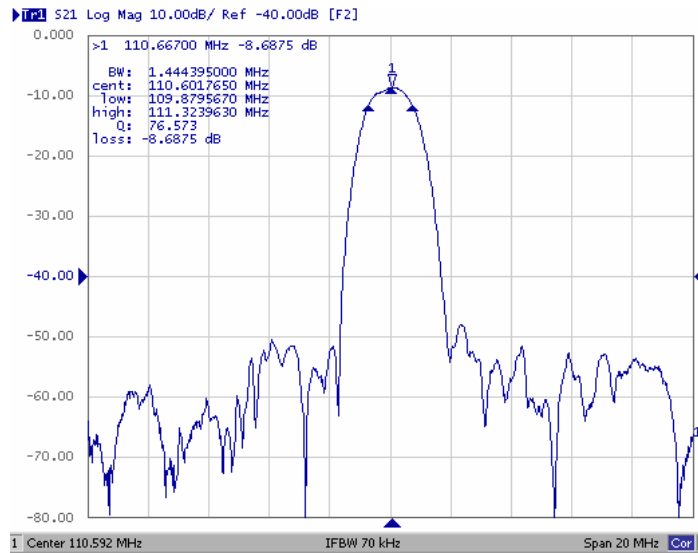


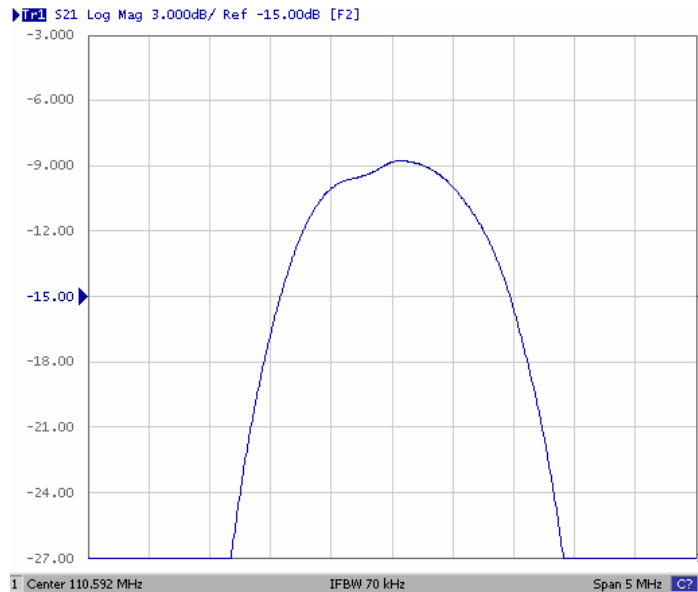
DESCRIPTION

- 110.592 MHz IF SAW Filter with a 1.44 MHz typical 3dB bandwidth.
- 5.0 X 7.0 mm SMD Package.
- RoHS compliant.

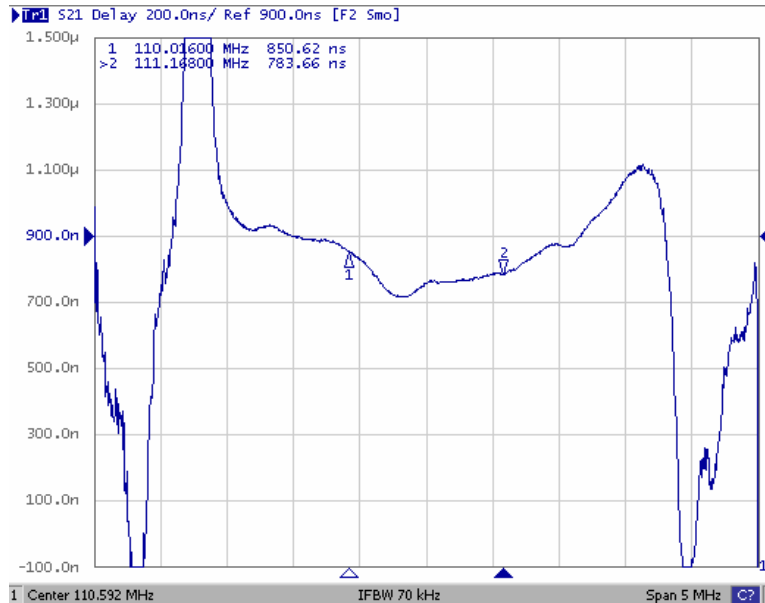
TYPICAL PERFORMANCE



Horizontal: 2MHz/Div, Vertical:10db/Div



Passband Horizontal: 0.5MHz/Div, Vertical:3db/Div



Passband Horizontal: 0.5MHz/Div, Vertical: 200nS/Div

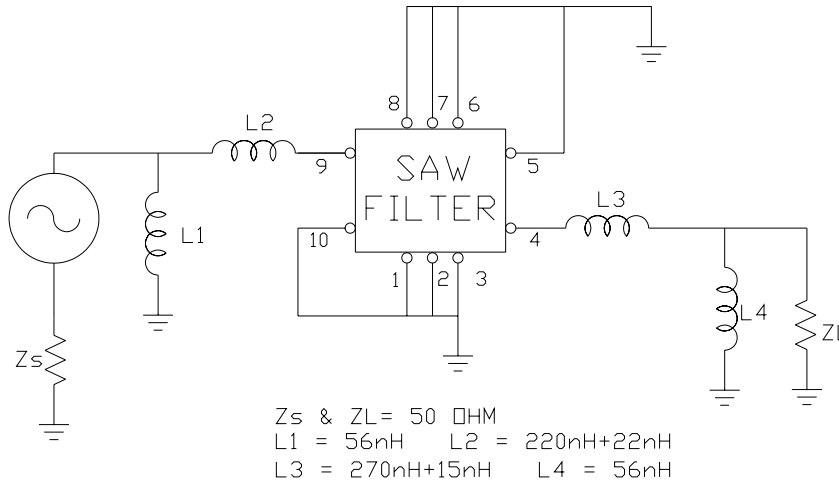
SPECIFICATION

Parameter	Min	Typ	Max	Units
Center Frequency (Fc) ¹		110.592		MHz
Insertion Loss ²	-	8.6	10	dB
3 dB Bandwidth	1.152	1.44	-	MHz
Group Delay Variation Fc ±0.576MHz	-	150	200	nsec
Rejection				
DC to Fc-3.4MHz	38	42	-	dB
Fc-3.4MHz to Fc-1.728MHz	28	42	-	dB
Fc+1.728MHz to Fc+3.4MHz	28	34	-	dB
Fc+3.4MHz to 200MHz	38	42	-	dB
Terminating Source Impedance:	Single ended 50 ohm			
Terminating Load Impedance:	Single ended 50 ohm			
Ambient Temperature:	25			°C

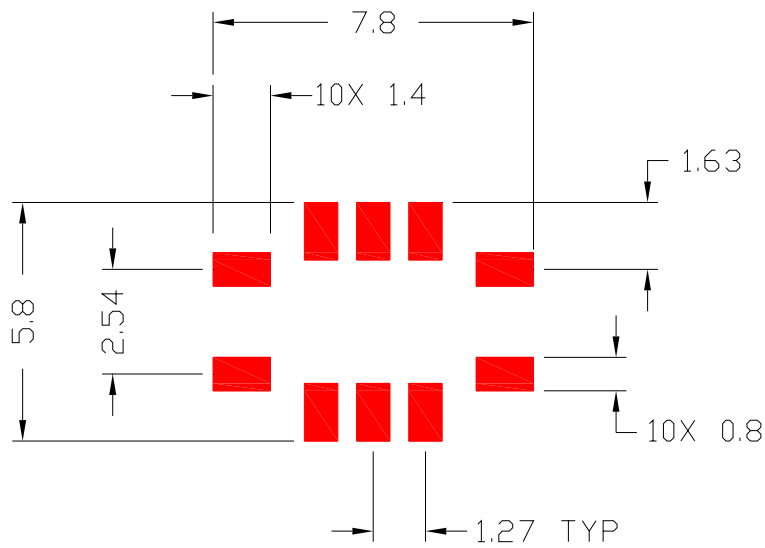
MAXIMUM RATINGS

Parameter	Min	Max	Units
Storage Temperature Range	-40	+85	°C
Operating Temperature Range	-40	+85	°C
Input Power Level		10	dBm

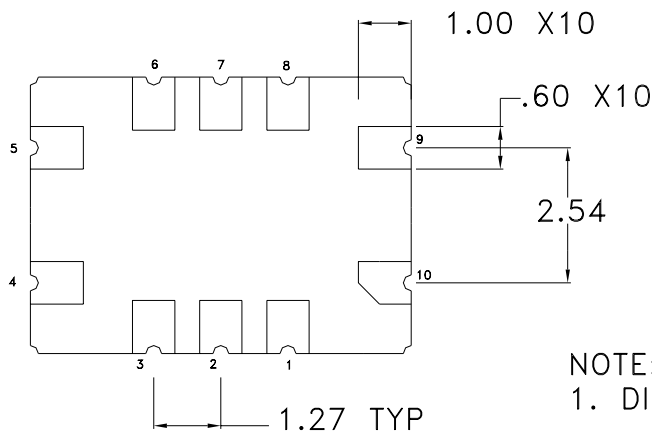
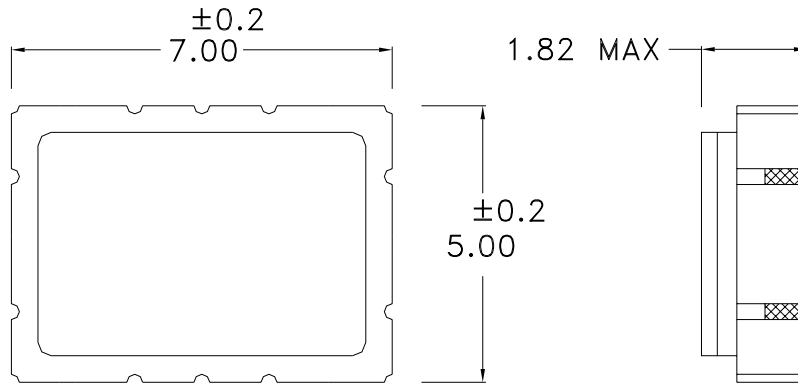
MATCHING CIRCUIT



PC BOARD FOOTPRINT



PACKAGE OUTLINE

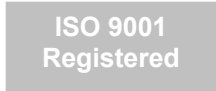
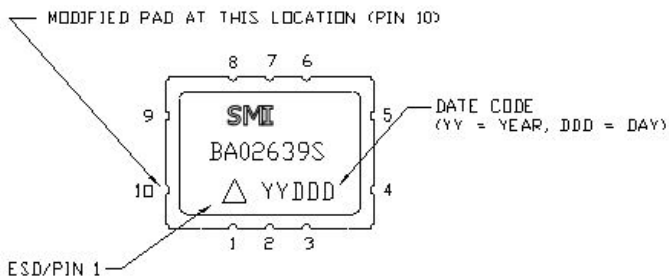


Pad Configuration:

RF Input	9
RF Input Ground	10
RF Output	4
RF Output Ground	5
Ground	1,2,3,6,7,8

NOTE:
 1. DIMENSIONS ARE IN MM.

MARKING



All specifications are believed to be accurate and reliable. However, Spectrum Microwave reserves the right to make changes without notice.
 © 2010 All rights reserved.