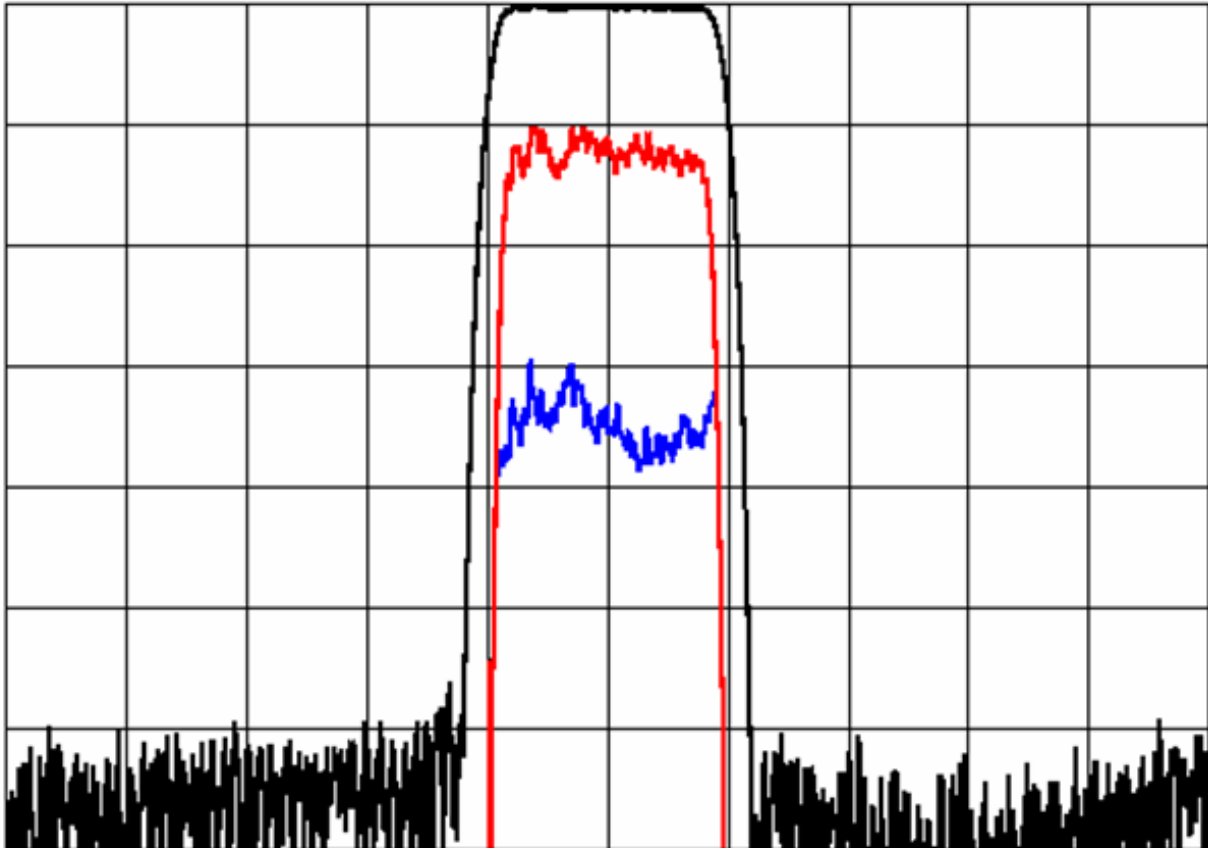


DESCRIPTION

- 140 MHz SAW bandpass filter with 9 MHz bandwidth.
- 22.1 x 12.7 mm DIP package.
- RoHS compliant.

TYPICAL PERFORMANCE



Horizontal: Frequency : 5 MHz/div
Vertical from Top: Relative Magnitude : 10 dB/div
Relative magnitude : 1 dB/div
Phase Linearity : 5 deg/div

SPECIFICATION

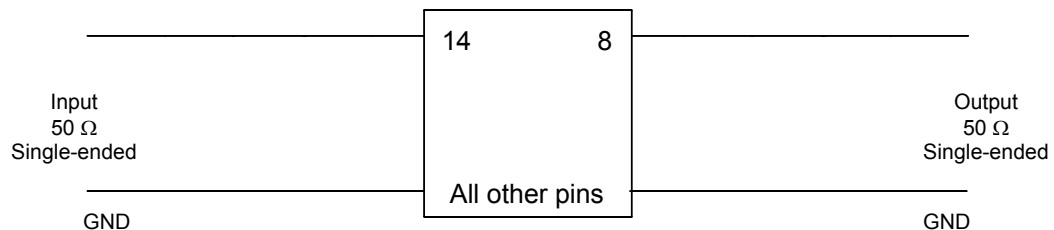
Parameter	Min	Typ	Max	Units
Center Frequency (Fc) ¹	139.8	140.0	140.2	MHz
Insertion Loss	-	21.4	23.5	dB
1 dB Bandwidth	8.5	8.81	-	MHz
3 dB Bandwidth	9	9.32	-	MHz
40 dB Bandwidth	-	11.42	11.7	MHz
50 dB bandwidth	-	11.72	12.2	MHz
Device Delay	-	2.05	-	us
Passband Variation ²	-	0.45	0.7	dB p-p
Phase Linearity ²	-	2.7	5	deg p-p
Group Delay Variation ²	-	25	210	ns p-p
Ultimate Rejection	50	60	-	dB
Temperature Coefficient of Frequency	-	-94	-	ppm/°C
Source and Load Impedance	-	50	-	ohms
Ambient Temperature	-	25	-	°C

- Notes: 1. This is the mean of the 3 dB frequency points.
2. Computed as the delta of the highest and lowest points inside the 1 dB Bandwidth.

MAXIMUM RATINGS

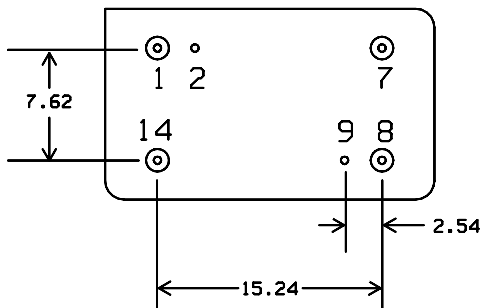
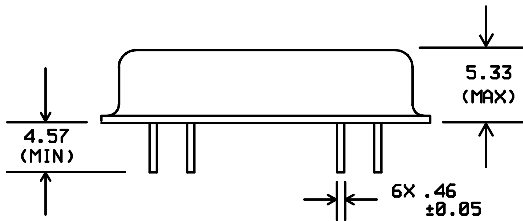
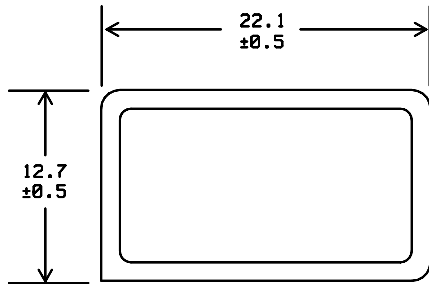
Parameter	Min	Max	Units
Storage Temperature Range	-40	85	°C
Input Power Level	-	13	dBm

MATCHING CIRCUIT



Note: Matching components are not required.

PACKAGE OUTLINE



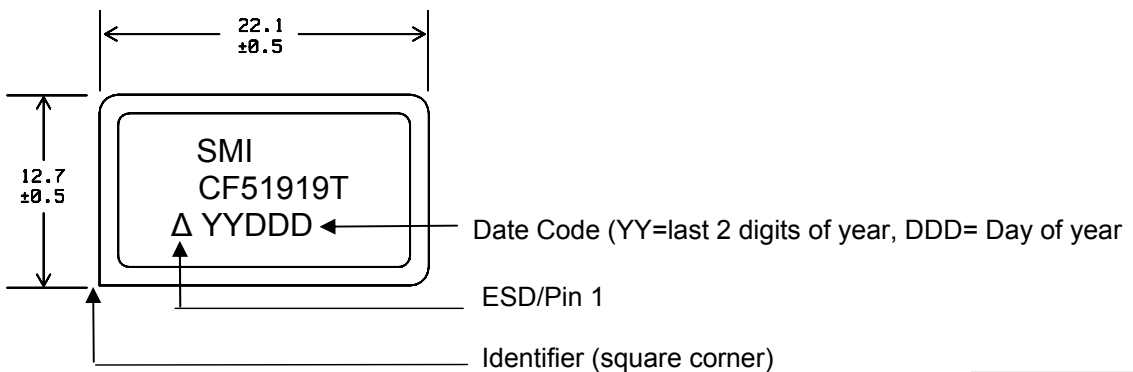
Units: mm

Tolerances are typically ± 0.15 mm except where indicated.

Pin Configuration:

Input: 14
Output: 8
Ground: All other pins

MARKING



ISO 9001
Registered

All specifications are believed to be accurate and reliable. However, Spectrum Microwave reserves the right to make changes without notice.
© 2010 All rights reserved.