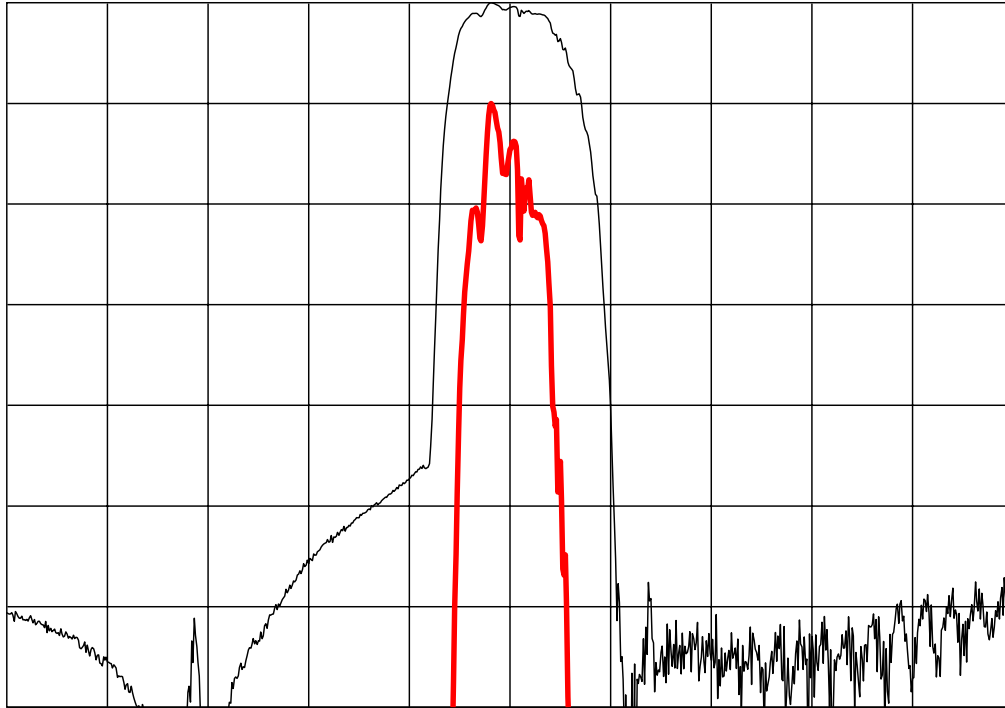


DESCRIPTION

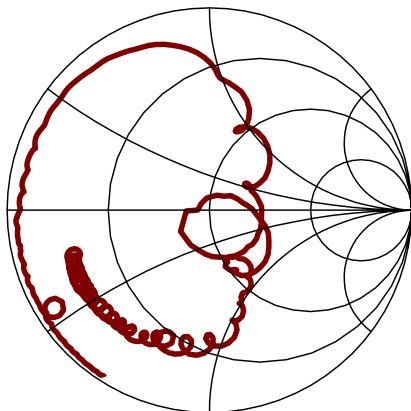
- 147 MHz SAW bandpass filter with 8 MHz bandwidth.
- 9 x 7 mm ceramic LCC.
- RoHS compliant.

TYPICAL PERFORMANCE

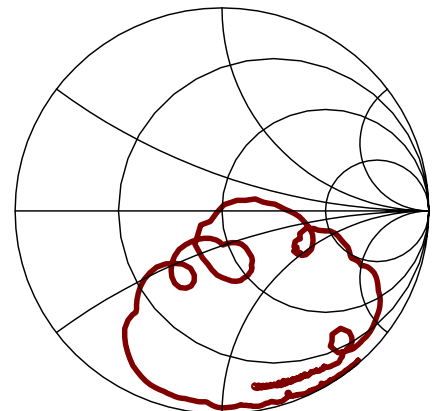


Horizontal: Frequency : 20 MHz/div
Vertical from Top: Relative Magnitude : 10 dB/div
Relative Magnitude : 1 dB/div

S11 (97-197 MHz)



S22 (97-197 MHz)



SPECIFICATION

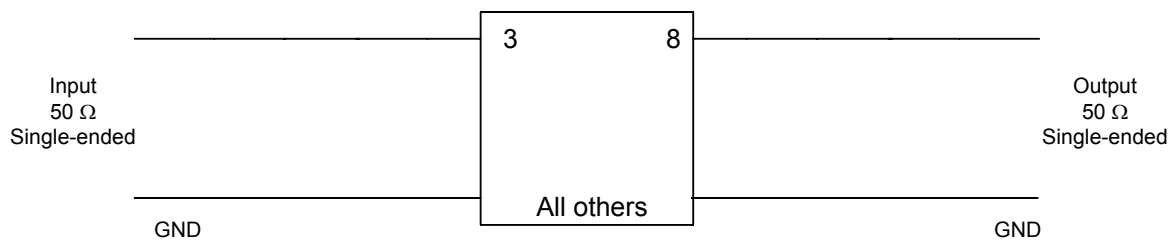
Parameter	Min	Typ	Max	Units
Center Frequency, F_C ¹	-	147	-	MHz
Insertion Loss	-	3.2	5	dB
Lower 3 dB Band Edge ²	-	142	143	MHz
Upper 3 dB Band Edge ²	151	152	-	MHz
Amplitude Ripple (143 to 151 MHz)	-	2.5	3.0	dB p-p
Absolute Attenuation (47 to 108.2 MHz) ²	50	55	-	dB
Absolute Attenuation (185.8 to 247 MHz) ²	50	55	-	dB
Absolute Attenuation (247 to 367.5 MHz) ²	40	45	-	dB
Input and Output Return Loss	-	6	-	dB
Temperature Coefficient	-80			ppm/°C
Source/Load Impedance	50			Ω
Ambient Temperature	25			°C

- Notes: 1. Defined as the average of the lower and upper 3 dB frequencies at room ambient.
2. All dB levels are defined relative to the insertion loss.

MAXIMUM RATINGS

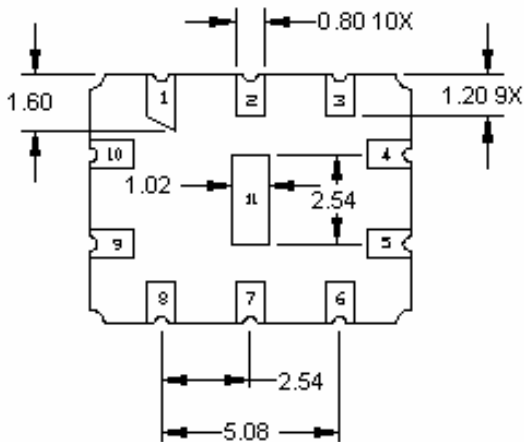
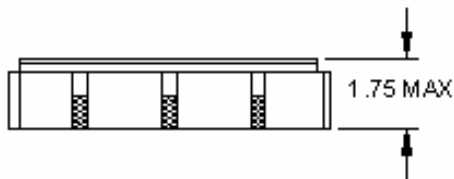
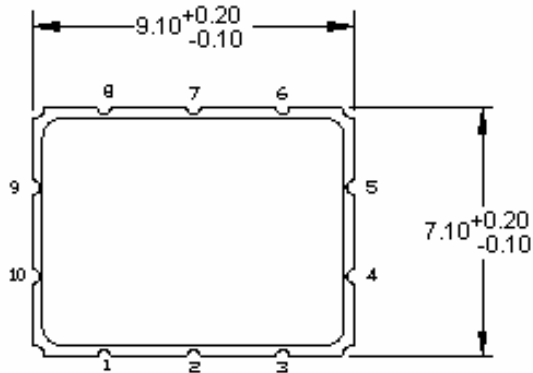
Parameter	Min	Max	Units
Storage Temperature Range	-40	85	°C
Operating Temperature Range	0	50	°C
Input Power Level	-	15	dBm

MATCHING CIRCUIT



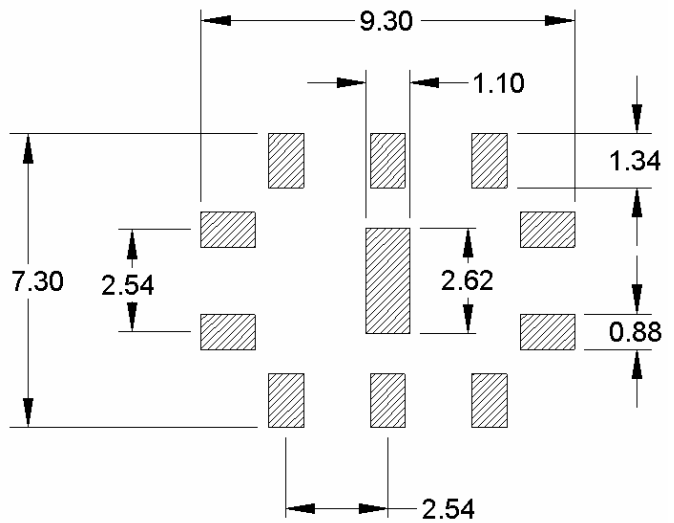
Note: Matching components are not required.

PACKAGE OUTLINE



Package Material:
Body: Al_2O_3 ceramic
Lid: Kovar, Ni plated
Terminations: Au plating 1 μ m min,
over a 1.3-8.9 μ m Ni plating

SUGGESTED FOOTPRINT



Units: mm

Tolerances are ± 0.15 mm except where indicated.

Pad Configuration:

Input: 3
Output: 8
Ground: all other pads

ISO 9001
Registered

All specifications are believed to be accurate and reliable. However, Spectrum Microwave reserves the right to make changes without notice.
© 2010 All rights reserved.