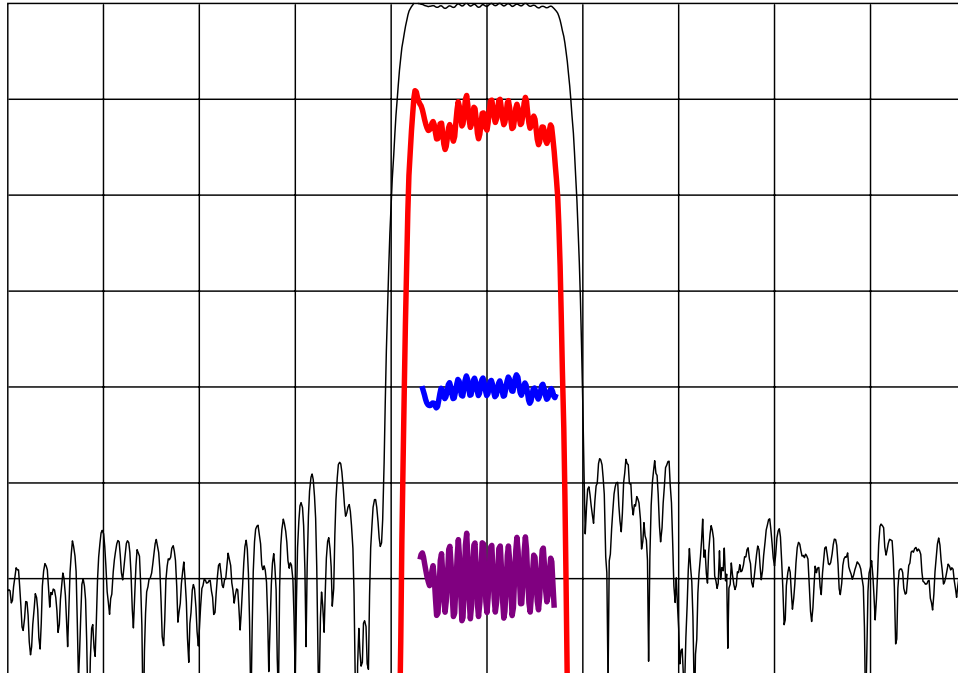


**DESCRIPTION**

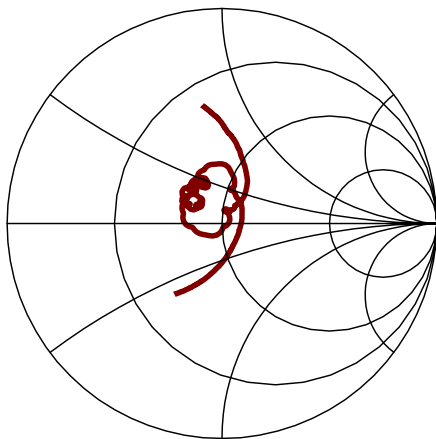
- 240 MHz SAW bandpass filter with 5.7 MHz bandwidth.
- 13.3 x 6.5 mm SMP.
- RoHS compliant.

**TYPICAL PERFORMANCE**

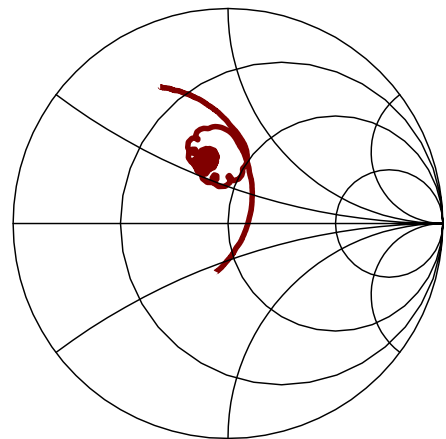


Horizontal: Frequency : 4 MHz/div  
 Vertical from Top: Relative Magnitude : 10 dB/div  
 Relative Magnitude : 1 dB/div  
 Phase Linearity : 10 deg/div  
 Group Delay Deviation : 100 ns/div

**S11 (220-260 MHz)**

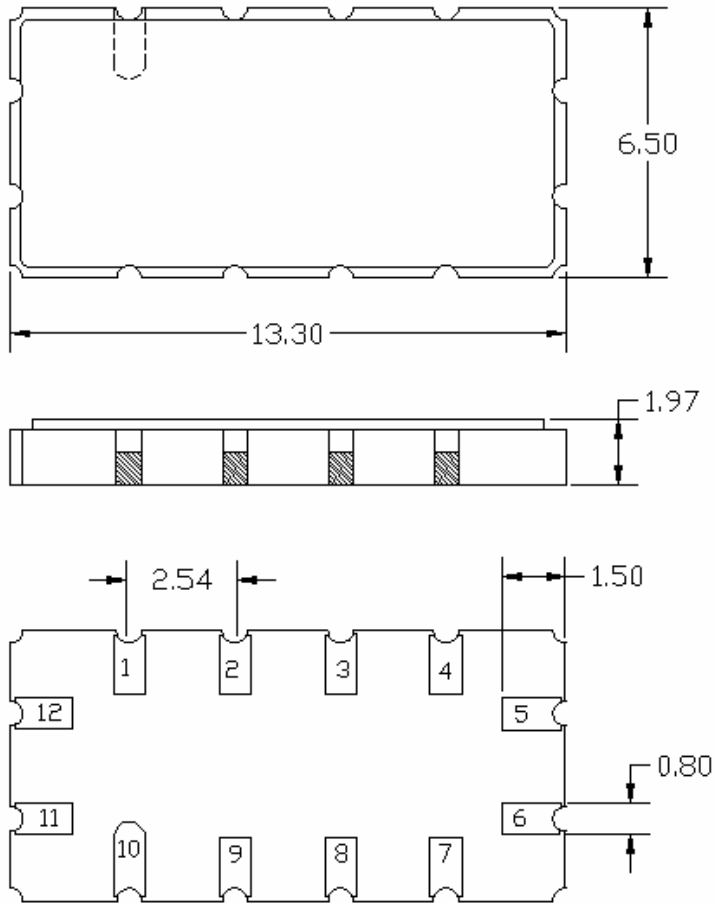


**S22 (220-260 MHz)**

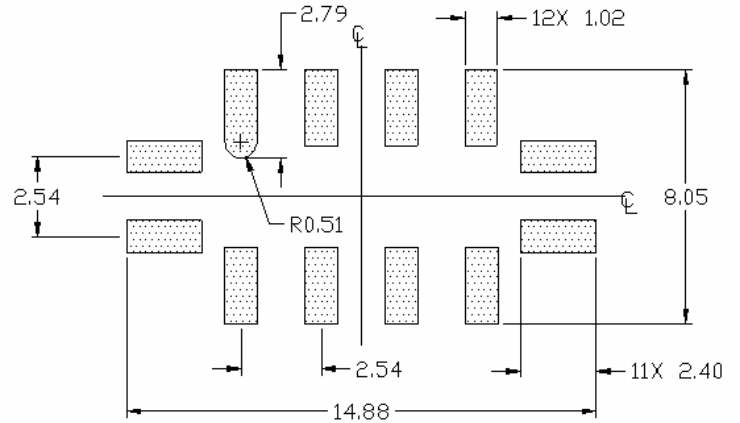




### PACKAGE OUTLINE



### SUGGESTED FOOTPRINT



Units: mm

Tolerances are  $\pm 0.15$  mm except where indicated.

#### Pad Configuration:

Input: 11  
Output: 5  
Ground: All other pads

Package Material:  
Body:  $Al_2O_3$  ceramic  
Lid: Kovar, Ni plated  
Terminations: Au plating 1  $\mu$ m min,  
over a 1.3-8.9  $\mu$ m Ni plating

ISO 9001  
Registered

All specifications are believed to be accurate and reliable. However, Spectrum Microwave reserves the right to make changes without notice.  
© 2010 All rights reserved.

Spectrum Microwave  
400 Nickerson Road, Marlborough, MA 01752, USA • Phone 1-508-251-6400 • Fax 1-508-251-6401  
www.SpectrumMicrowave.com