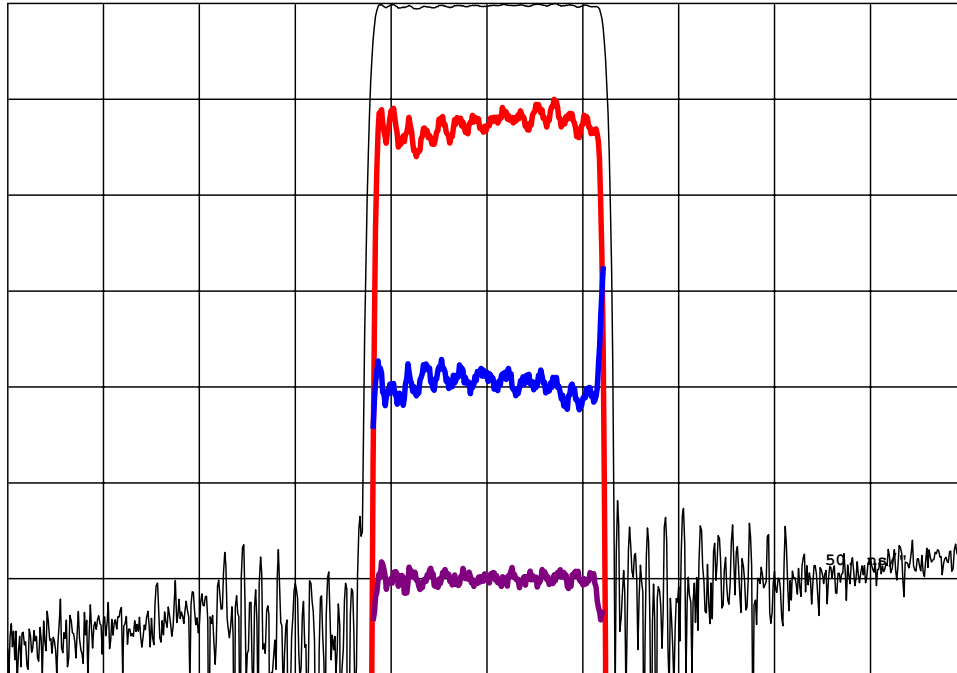


## DESCRIPTION

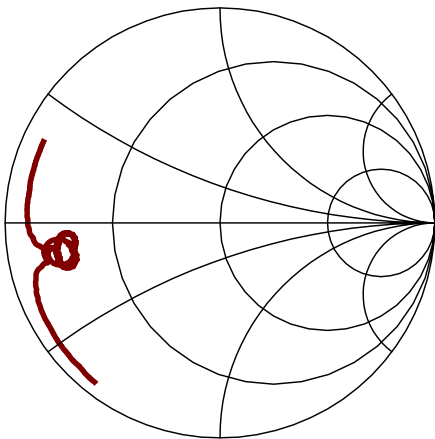
- 257.5 MHz SAW bandpass filter with 35 MHz bandwidth.
- 13.3 x 6.5 mm ceramic LCC package.
- RoHS compliant.

## TYPICAL PERFORMANCE

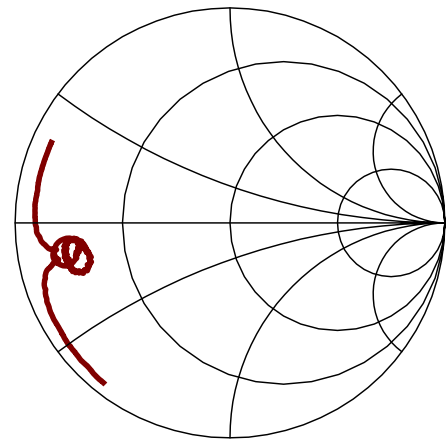


Horizontal:	Frequency	16	MHz /div
Vertical (from top):	Magnitude	10	dB/div
	Magnitude	1	dB/div
	Phase Deviation	5	deg/div
	Group Delay Deviation	50	ns/div

**S11 (177.5-337.5 MHz)**



**S22 (177.5-337.5 MHz)**



## SPECIFICATION

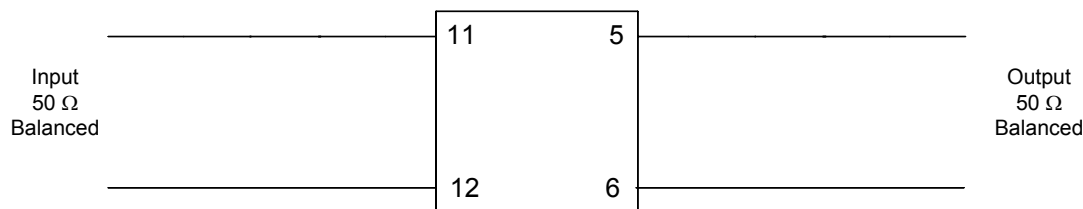
Parameter	Min	Typ	Max	Units
Center Frequency, $F_C$	-	257.5	-	MHz
Minimum Insertion Loss <sup>1</sup>	-	21.4	23	dB
Lower 1.5 dB band Edge <sup>3</sup>	-	238.8	240.0	MHz
Upper 1.5 dB band Edge <sup>3</sup>	275.0	276.2	-	MHz
Lower 45 dB band Edge <sup>3</sup>	235.4	236.3	-	MHz
Upper 45 dB band Edge <sup>3</sup>	-	278.8	279.6	MHz
Relative Attenuation ( $F_C/2$ to 235.5 MHz) <sup>3</sup>	45	54	-	dB
Relative Attenuation (279.5 to $1.5 \cdot F_C$ MHz) <sup>3</sup>	45	54	-	dB
Absolute Delay	-	0.99	1.00	us
Amplitude Ripple <sup>2</sup>	-	0.9	1.5	dB p-p
Amplitude Ripple (any 1.25 MHz BW)		0.42	0.5	dB p-p
Source/Load Impedance (differential)	50			ohms
Temperature Coefficient of Frequency	-82			ppm/°C
Ambient Temperature	-	40	-	°C

- Notes:
1. Measured with 50Ω analyzer.
  2. Measured within the 1 dB bandwidth over temperature.
  3. Measured relative to the Insertion Loss Value.

## MAXIMUM RATINGS

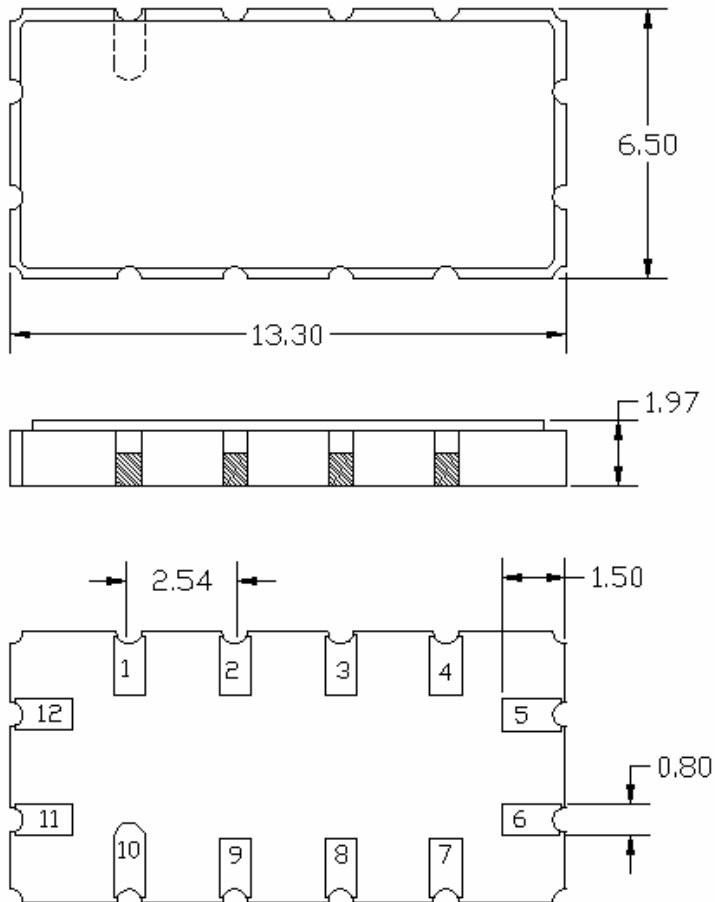
Parameter	Min	Max	Units
Storage Temperature Range	-40	85	°C
Operating Temperature Range	-10	80	°C
Input Power Level	-	+10	dBm

## MATCHING CIRCUIT

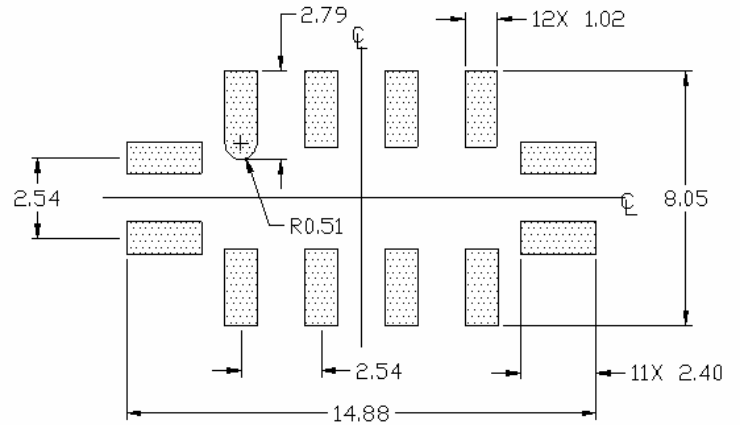


Note: Matching components are not required.

**PACKAGE OUTLINE**



**SUGGESTED FOOTPRINT**



**Units:** mm

Tolerances are  $\pm 0.15$  mm except where indicated.

**Pad Configuration:**

Input: 11  
Input Return: 12  
Output: 5  
Output Return: 6  
Ground: 1,2,3,4,7,8,9,10

Package Material:  
Body:  $Al_2O_3$  ceramic  
Lid: Kovar, Ni plated  
Terminations: Au plating 1  $\mu$ m  
min, over a 1.3-8.9  $\mu$ m Ni plating

ISO 9001  
Registered

All specifications are believed to be accurate and reliable. However, Spectrum Microwave reserves the right to make changes without notice.  
© 2010 All rights reserved.