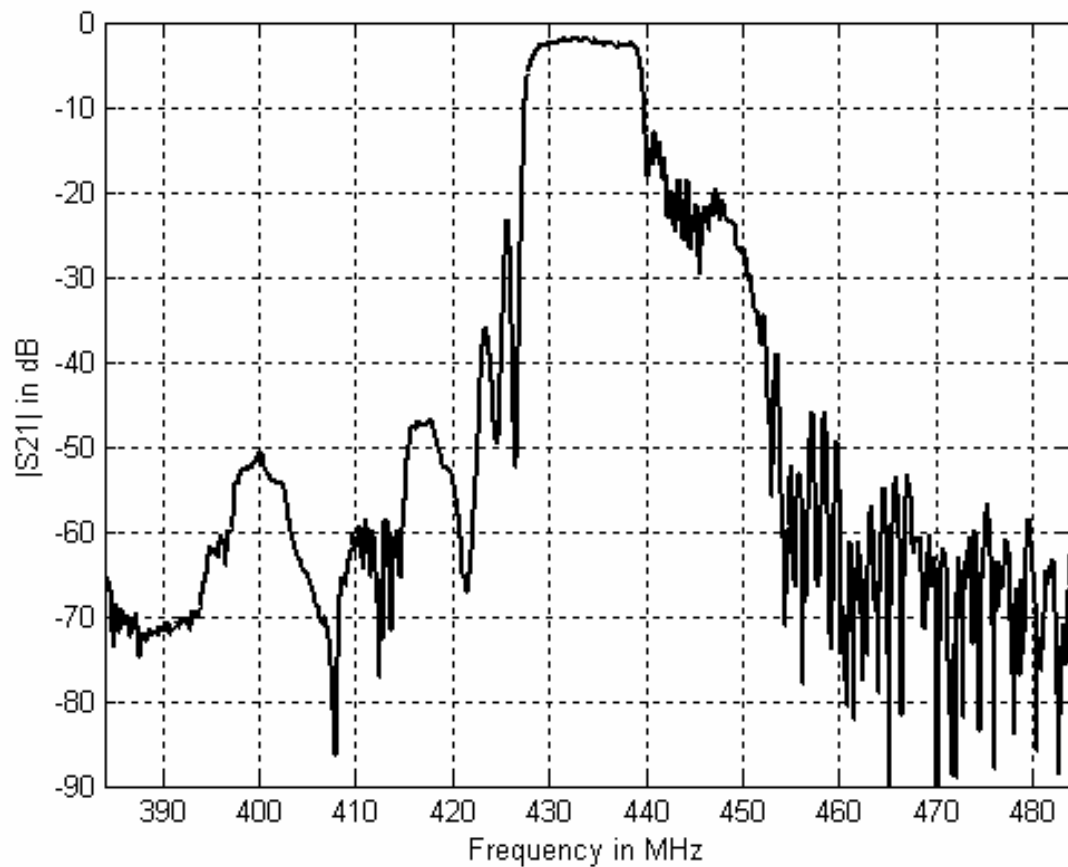


DESCRIPTION

- Miniature 434 MHz surface acoustic wave (SAW) bandpass filter with an 11 MHz typical 3dB bandwidth used as RF filter in a low power ISM transceiver, receiver, and transmitter application.
- 3.8 x 3.8 mm SMP.
- RoHS compliant.

TYPICAL PERFORMANCE



SPECIFICATION

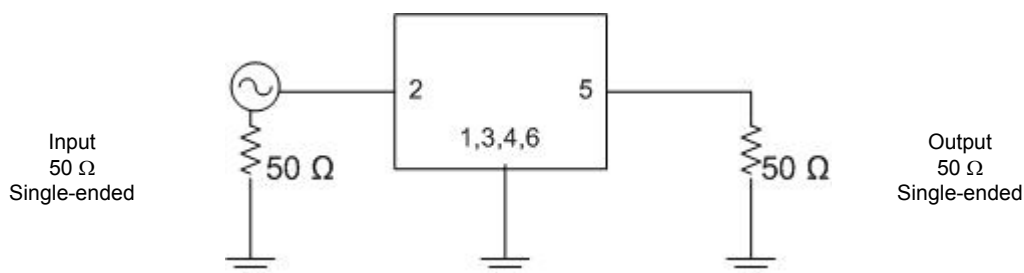
Parameter	Min	Typ	Max	Units
Center Frequency, F_c	-	434.0	-	MHz
Passband	4	6	-	MHz
Insertion Loss ¹	-	2.5	3.5	dB
Amplitude Ripple ¹	-	1.1	1.5	dB
Stopband Rejection, 334 – 393.2 MHz	50	55	-	dB
Stopband Rejection, 474 – 534 MHz	50	55	-	dB
Terminating Impedance	50			Ω

Notes: 1. Over passband, F_o +/- 2 MHz.

MAXIMUM RATINGS

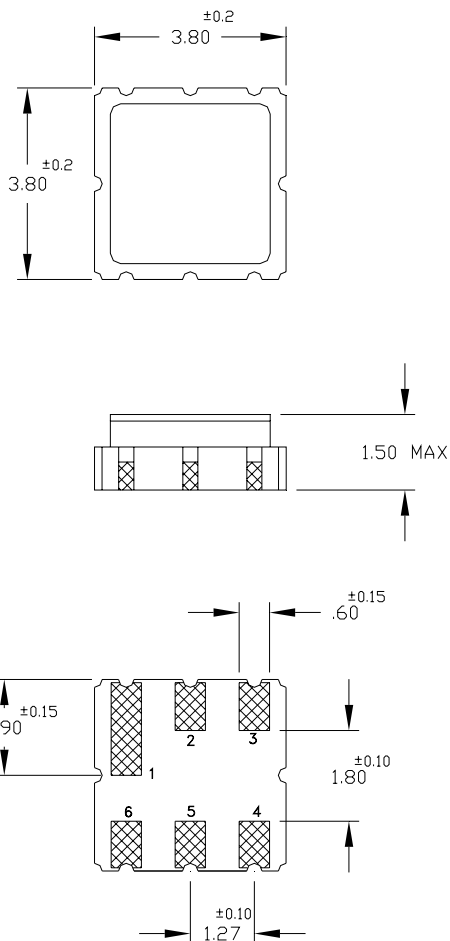
Parameter	Min	Max	Units
Storage Temperature Range	-40	+85	$^{\circ}\text{C}$
Operating Temperature Range	-40	+85	$^{\circ}\text{C}$
Input Power Level	-	0	dBm
Max. D. C. Voltage between Each Terminal	-	10	V

MATCHING CIRCUIT

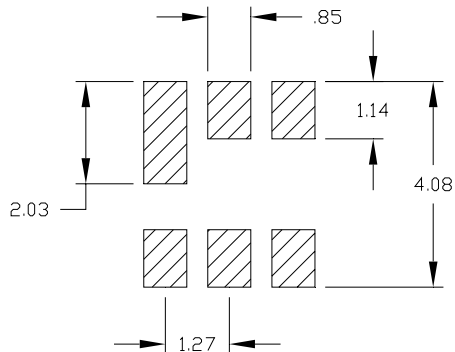


Note: Matching components are not required.

PACKAGE OUTLINE



SUGGESTED FOOTPRINT



Units: mm

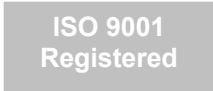
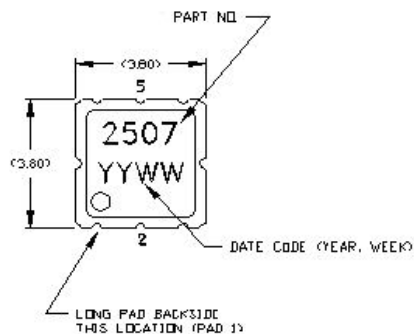
Tolerances are ±0.15 mm except where indicated.

Pad Configuration:

Input: 2
Output: 5
Ground: 1,3,4,6

Package Material:
Body: Al_2O_3 ceramic
Lid: Kovar, Ni plated
Terminations: Au plating 1 µm min, over a 1.3-8.9 µm Ni plating

MARKING



All specifications are believed to be accurate and reliable. However, Spectrum Microwave reserves the right to make changes without notice.
© 2010 All rights reserved.