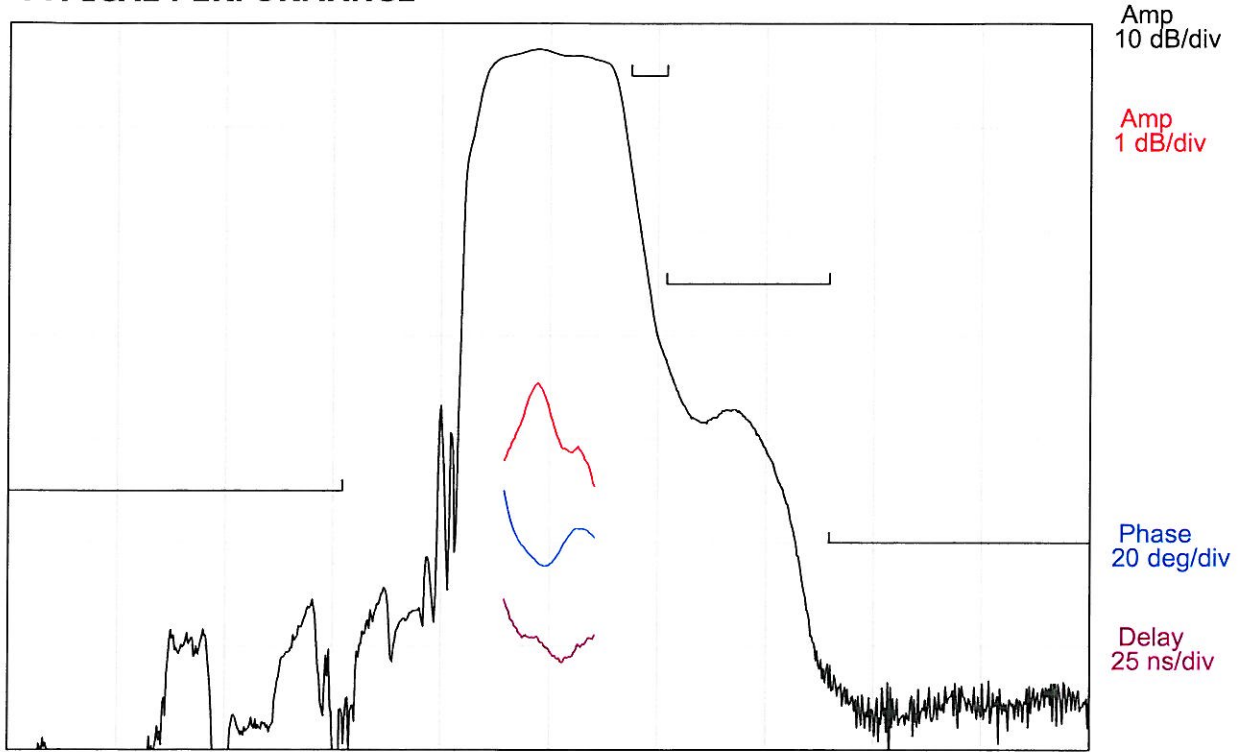


**DESCRIPTION**

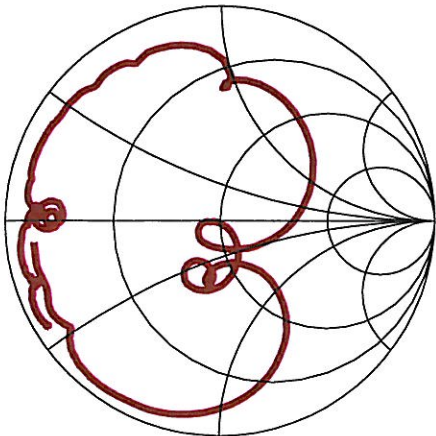
- Miniature 902.5 MHz SAW Filter with 35 MHz nominal bandwidth.
- 3 x 3 mm Ceramic LCC package, 6 pads.
- RoHS compliant

**TYPICAL PERFORMANCE**

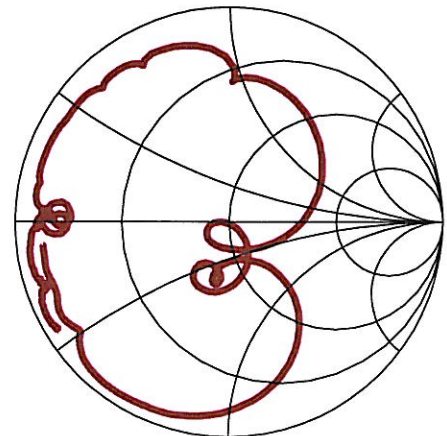


Center = 902.5 MHz, 30 MHz/div (375 kHz incr)

**S11 (752.5-1052.5 MHz)**



**S22 (752.5-1052.5 MHz)**



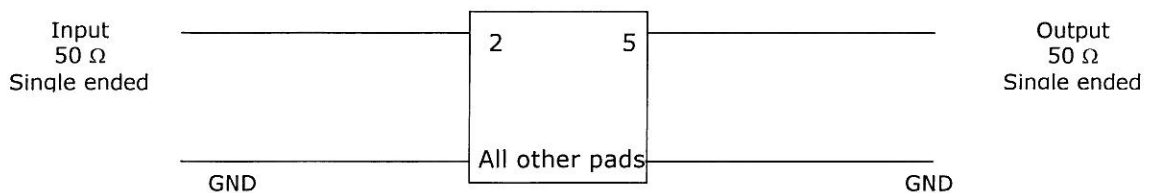
## SPECIFICATION

Parameter	Min	Typ	Max	Units
Center Frequency $F_C$	-	902.5	-	MHz
3 dB Bandwidth	25	37	-	MHz
Insertion Loss (890 - 915 MHz)	-	2.9	3.5	dB
Amplitude Ripple (890 - 915 MHz)	-	0.5	1.5	dB
Attenuation (Reference level from 0 db)				
0 to 845 MHz	45	51	-	dB
925 to 935 MHz	5	14	-	dB
935 to 980 MHz	25	32	-	dB
980 to 1200 MHz	50	56	-	dB
1200 to 3000 MHz	25	28	-	dB
Input/Output VSWR (890 - 915 MHz)	-	2	2.3	:1
Terminating Impedance	50			$\Omega$ // 0nF

## MAXIMUM RATINGS

Parameter	Min	Max	Units
Storage Temperature Range	-40	85	$^{\circ}\text{C}$
Operating Temperature Range	-25	75	$^{\circ}\text{C}$
Input Power Level	-	+10	dBm
D.C. Voltage	-	0	V

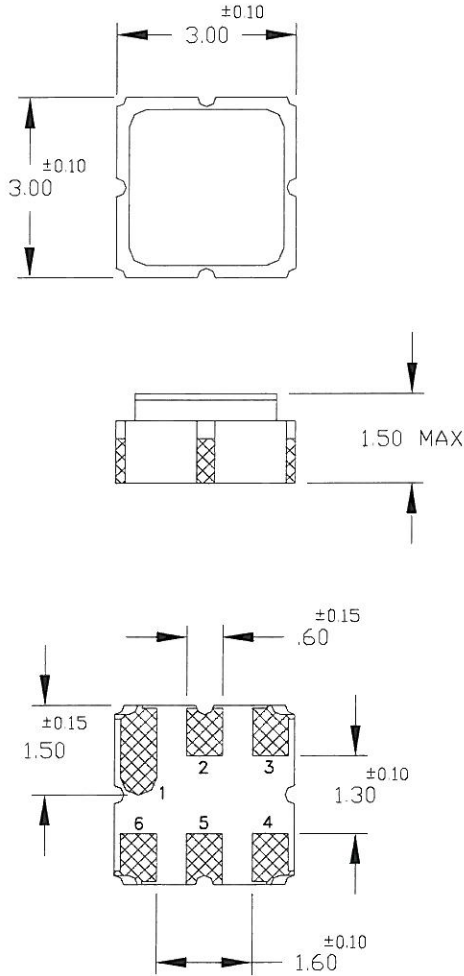
## MATCHING CIRCUIT



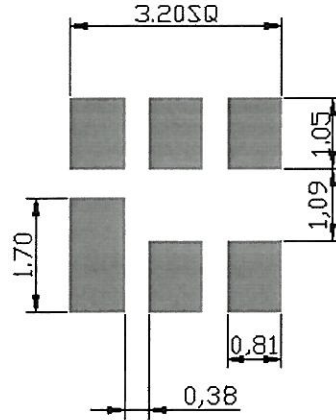
### Notes:

- External matching components are not required.
- Device is intended to operate in a 50  $\Omega$  single ended system.

**PACKAGE OUTLINE**



**SUGGESTED FOOTPRINT**



**Units:** mm

Tolerances are typically ±0.15 mm except where indicated.

**Pad Configuration:**

Input: 2  
Output: 5  
Ground: 1,3,4,6

**Package Material:**

Body:  $Al_2O_3$  ceramic  
Lid: Kovar, Ni plated  
Terminations: Au plating 1 µm min, over a 1.3-8.9 µm Ni plating

**MARKING**



All specifications are believed to be accurate and reliable. However, Spectrum Microwave reserves the right to make changes without notice.  
© 2011 All rights reserved.