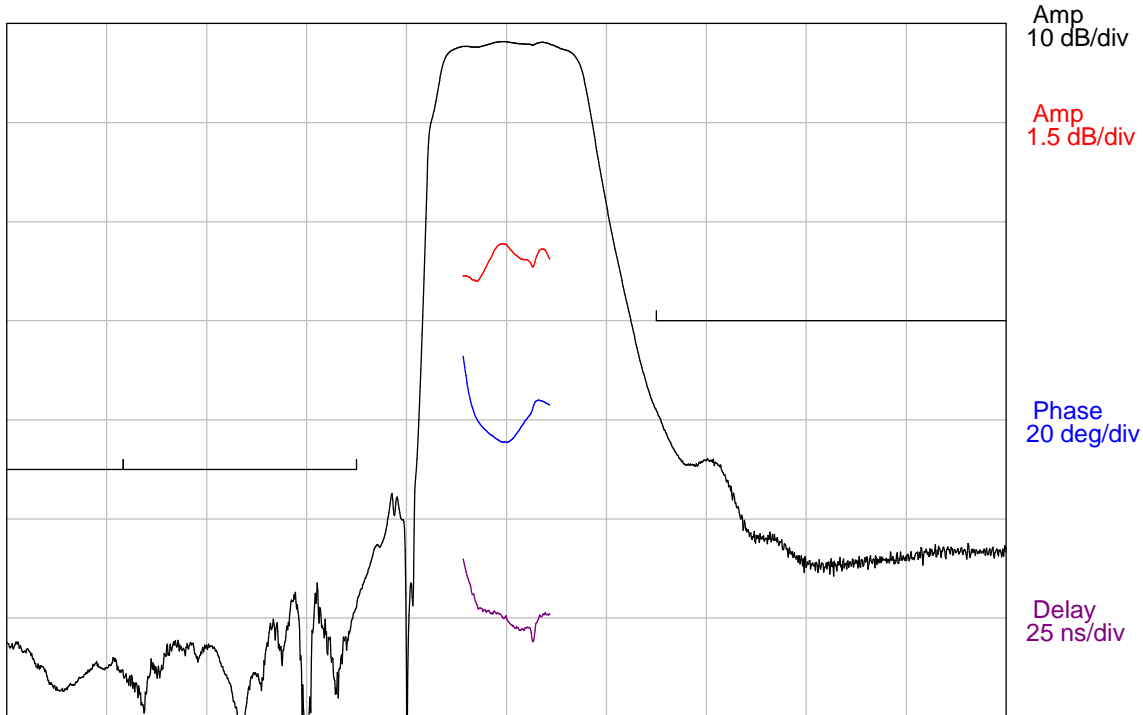


**DESCRIPTION**

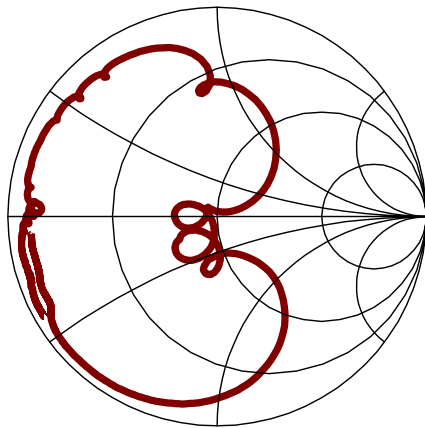
- 915 MHz SAW used as RF filter in spread spectrum unlicensed band wireless applications.
- 2.5 x 2 mm ceramic LCC package, 4 pads.
- RoHS compliant.

**TYPICAL PERFORMANCE**

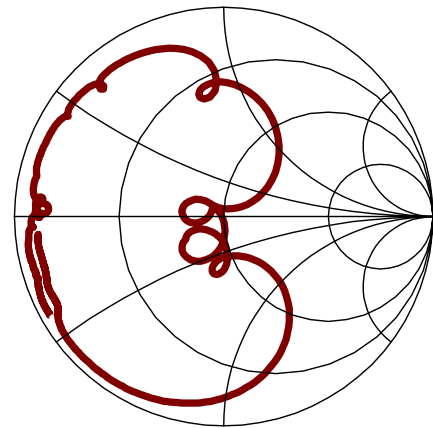


Center = 915 MHz, 30 MHz/div (187.5 kHz incr)

**S11 (765-1065 MHz)**



**S22 (765-1065 MHz)**



## SPECIFICATION

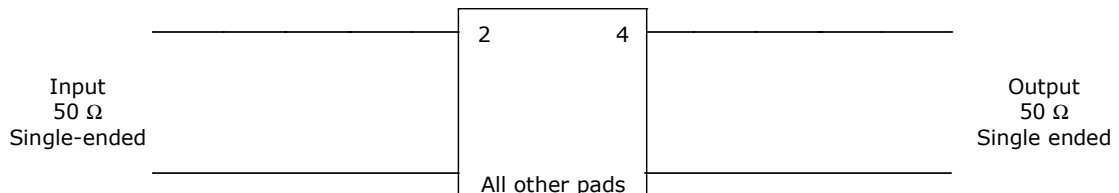
Parameter	Min	Typ	Max	Units
Center Frequency $F_c$	-	915.0	-	MHz
Bandwidth (3dB)	26	42	-	MHz
Insertion Loss <sup>1</sup>	-	2.4	3	dB
Passband Amplitude Ripple <sup>1</sup>	-	0.5	1.5	dB
Input/Output VSWR <sup>1</sup>	-	1.6	2.2	:1
Stopband Rejection (DC to 800 MHz) <sup>2</sup>	45	63	-	dB
Stopband Rejection (800 to 870 MHz) <sup>2</sup>	45	53	-	dB
Stopband Rejection (960 to 1080 MHz) <sup>2</sup>	30	40	-	dB
Stopband Rejection (1080 to 2000 MHz) <sup>2</sup>	35	53	-	dB
Stopband Rejection (2000 to 3000 MHz) <sup>2</sup>	22	28	-	dB
Source/Load Impedance	50/50			$\Omega$

Notes: 1. This parameter is measured within passband 902 to 928 MHz.  
2. Relative to 0 dB absolute.

## MAXIMUM RATINGS

Parameter	Min	Max	Units
Operating Temperature Range	-30	85	$^{\circ}\text{C}$
Storage Temperature Range	-40	85	$^{\circ}\text{C}$
Input Power Level	-	+15	dBm
Max. D. C. Voltage between Each Terminal	-	3	V

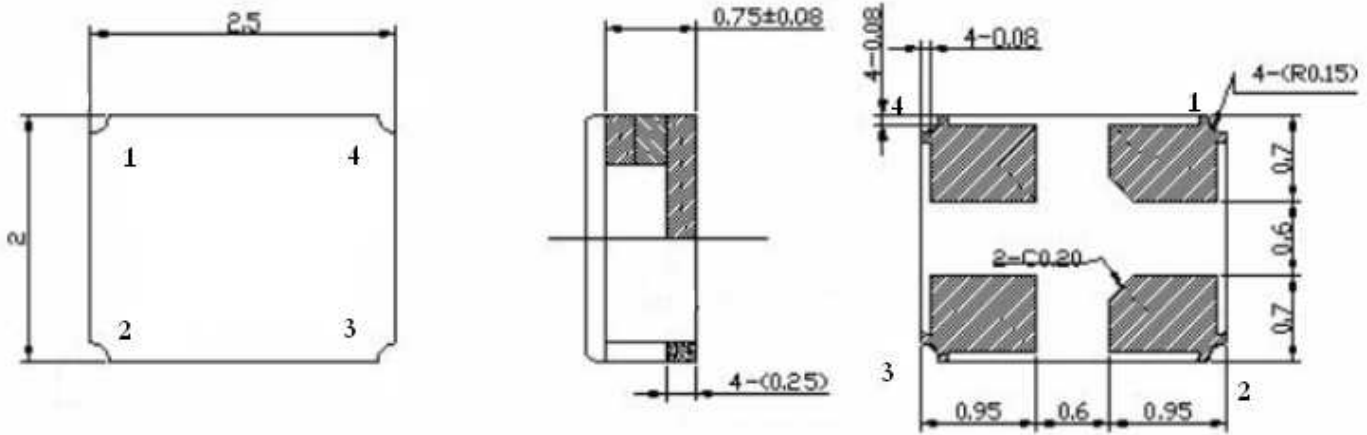
## TEST CIRCUIT



Notes:

- 50 ohms, single ended.
- Matching components are not required

**PACKAGE DIMENSIONS**

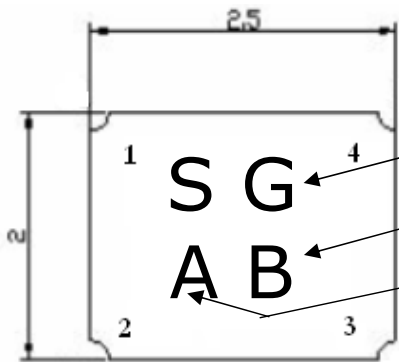


PAD NO.	DESCRIPTION
2	INPUT
4	OUTPUT
1,3	GROUND

NOTES:

Dimensions are in mm.

**MARKING**



Model Identification: SG = SF0915BA02531S

Week Code: A through Z followed by a through z equals 52 weeks.

Year Code: A = 2011, B=2012, C=2013 to J=2020 (Code A through J repeats every 10 years)

**ISO 9001**  
**Registered**

All specifications are believed to be accurate and reliable. However, Spectrum Microwave reserves the right to make changes without notice.  
 © 2011 All rights reserved.