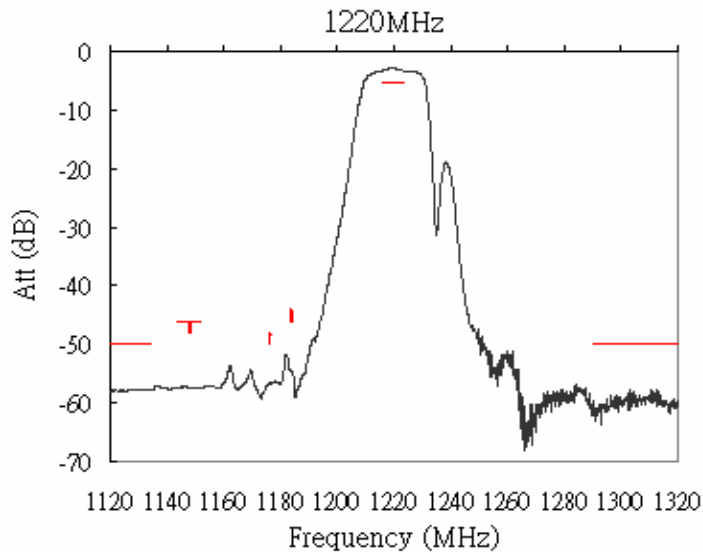


DESCRIPTION

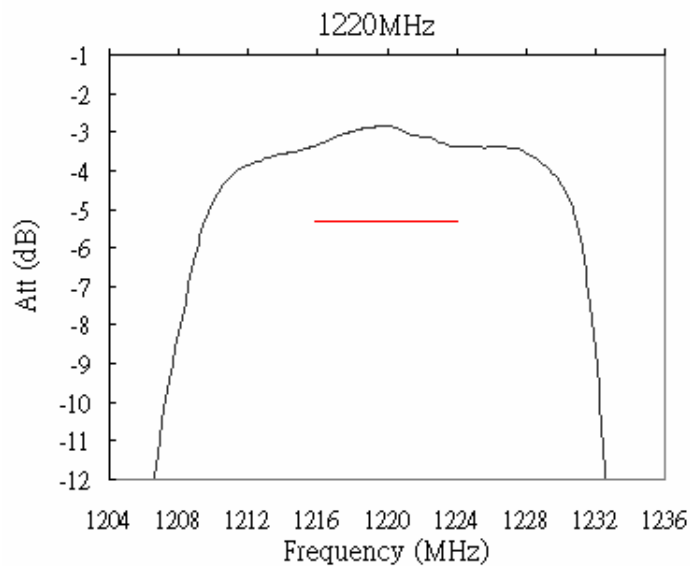
- 1220 MHz SAW bandpass filter with 3.4 MHz bandwidth for 1ST IF Stage of Digital Television.
- 3.0 x 3.0 mm LCC Package
- RoHS compliant.

TYPICAL PERFORMANCE

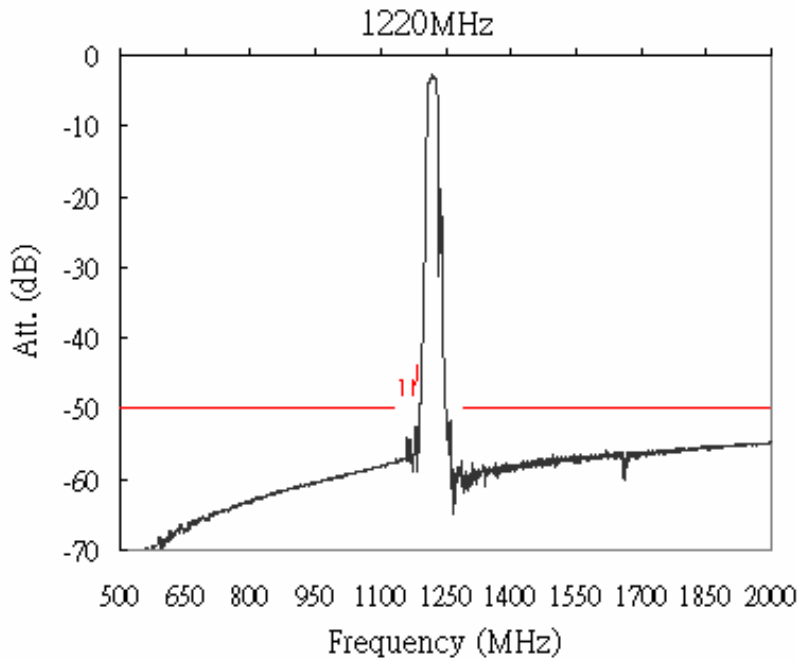
Response



Response (Inband)



Response (Wideband)



SPECIFICATION

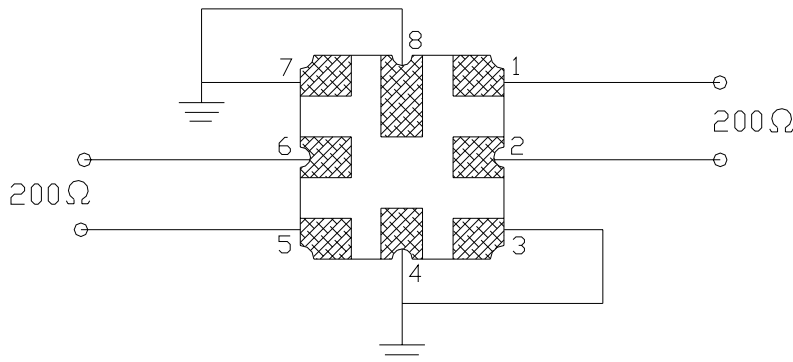
1. Maximum Rating

Operation Temperature Range	-35° to +75° C
Storage Temperature Range	-40° to +85° C
DC Voltage	0 V
Input Power Level	10 dBm

2. Electronic Characteristics

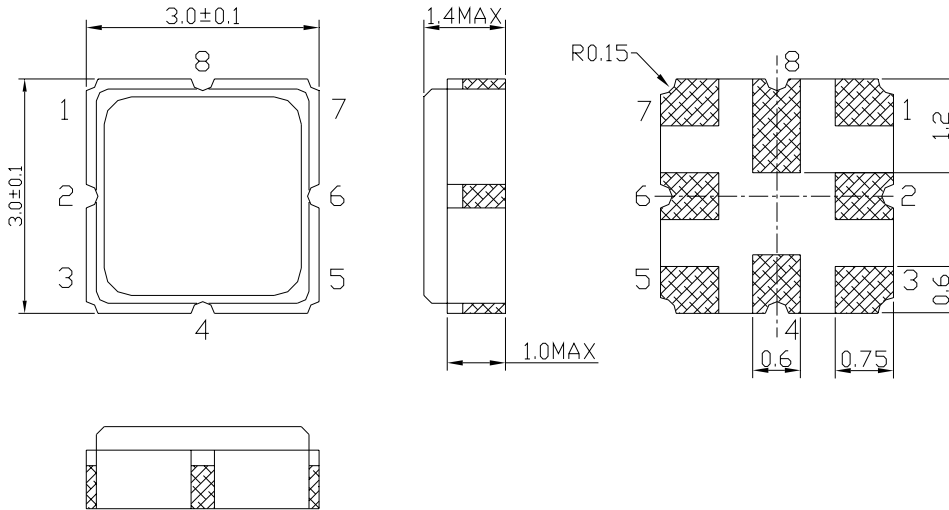
Item	Unit	Min.	Typ.	Max.
Center Frequency (fo)	MHz	--	1220.0	--
Insertion Loss 1216.0 ~ 1224.0 MHz	dB	--	3.4	5.3
Amplitude Ripple (p-p) 1216.0 ~ 1224.0 MHz	dB	--	0.6	1.8
Attenuation (Reference level from 0dB) 500.0 ~ 1129.0 MHz	dB	50.0	57.0	--
1129.0 ~ 1135.0 MHz	dB	50.0	57.0	--
1144.0 ~ 1152.0 MHz	dB	46.0	57.0	--
1132.0 MHz	dB	50.0	57.0	--
1148.0 MHz	dB	48.0	57.0	--
1176.0 MHz	dB	50.0	56.0	--
1184.0 MHz	dB	46.0	55.0	--
1290.0 ~ 2000.0 MHz	dB	50.0	55.0	--
Group Delay Ripple (p-p) (1216.0 ~	ns	--	12	--
Terminating Source Impedance	Ω	--	200	--
Terminating Load Impedance	Ω	--	200	--

TEST CIRCUIT



PACKAGE OUTLINE

Unit: mm



Pin Configuration

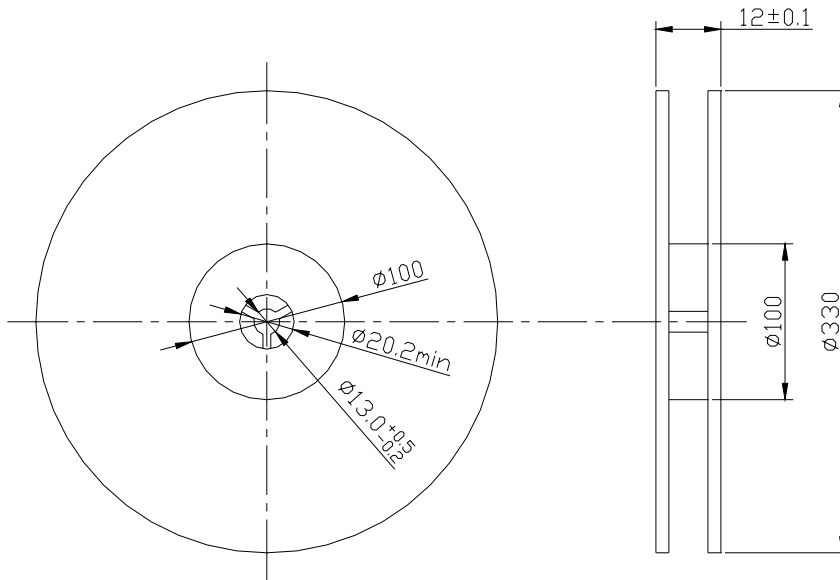
Pin 1,2: Input

Pin 5,6: Output

Pin 3,4,7,8: Ground

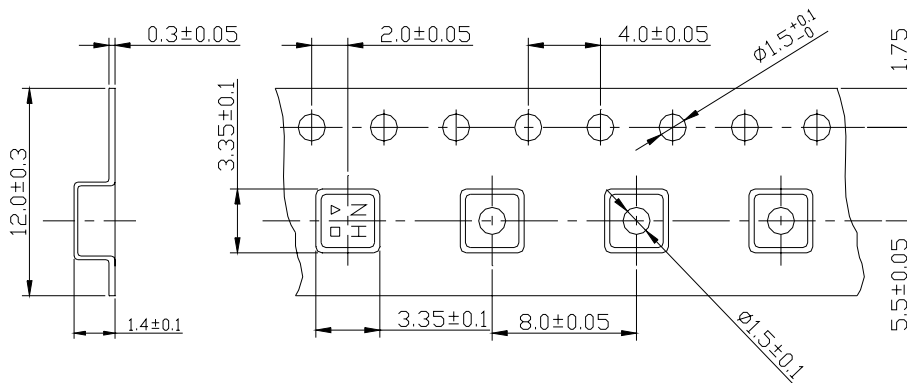
ISO 9001
Registered

Packing (Reel requirements)



Tape Dimensions

Units: mm



Tape Running Direction →

All specifications are believed to be accurate and reliable. However, Spectrum Microwave reserves the right to make changes without notice.
 © 2010 All rights reserved.