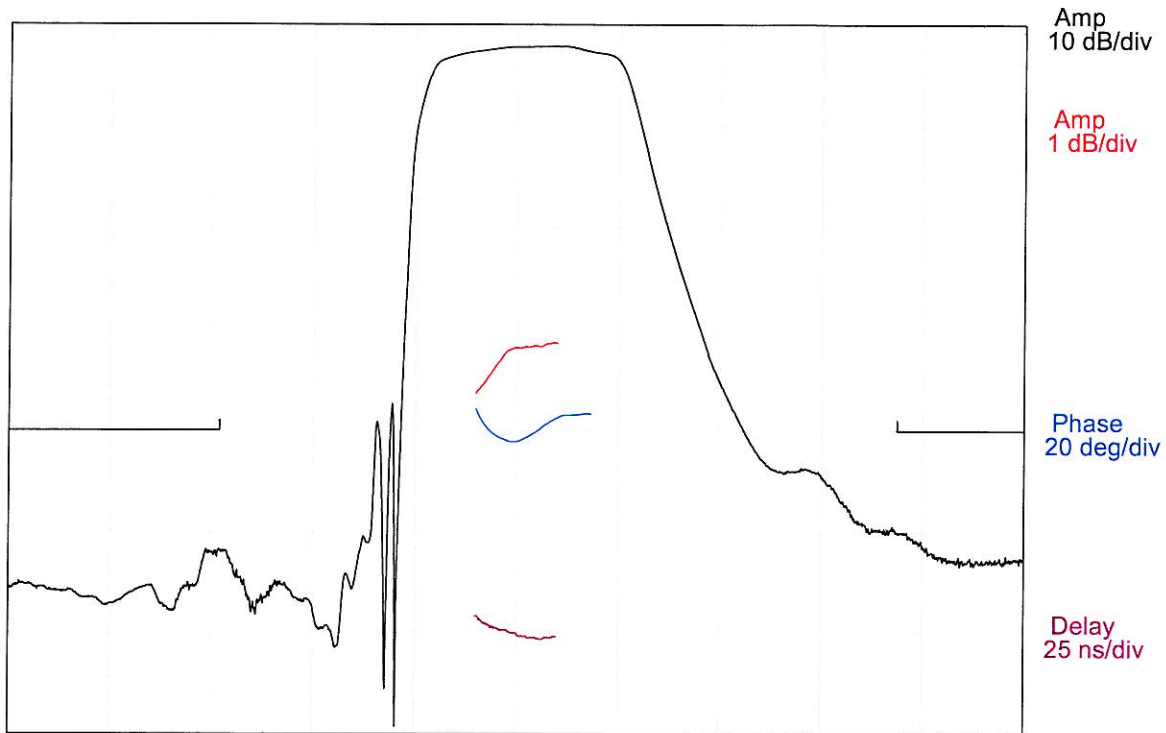


DESCRIPTION

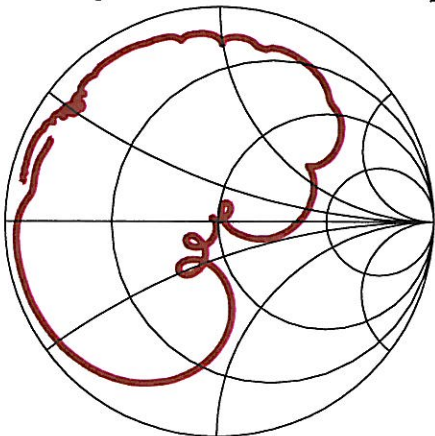
- 1237.5 MHz SAW filter with 24 MHz bandwidth.
- 3 x 3 mm LCC Package, 6 pads.
- RoHS compliant.

TYPICAL PERFORMANCE

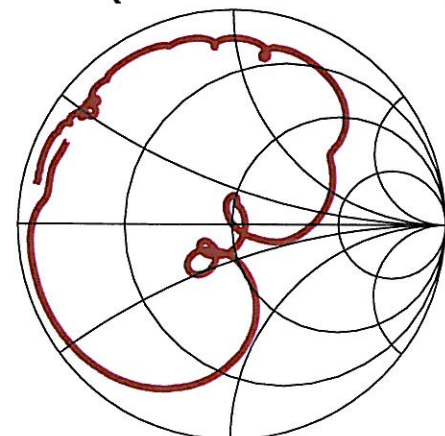


Center = 1237.5 MHz, 30 MHz/div (187.5 kHz incr)

S11 (1087.5-1387.5 MHz)



S22 (1087.5-1387.5 MHz)



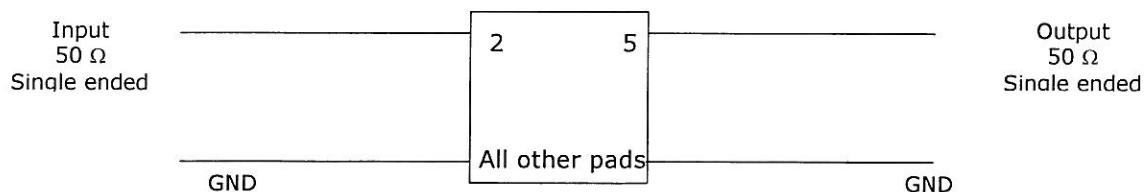
SPECIFICATION

Parameter	Min	Typ	Max	Units
Center Frequency (Fc) ¹	-	1237.5	-	MHz
Insertion Loss (1225.5 to 1249.5 MHz)	-	2.4	4	dB
Amplitude Ripple (1225.5 to 1249.5 MHz)	-	0.6	1.7	dB p-p
Group Delay Ripple (1225.5 to 1249.5 MHz)	-	6	20	ns p-p
Input Return Loss (1225.5 to 1249.5 MHz)	9	13	-	dB
Output Return Loss (1225.5 to 1249.5 MHz)	9	13	-	dB
Attenuation (Reference level from 0 dB)				
100 to 1150 MHz	40	45	-	dB
1350 to 2500 MHz	40	45	-	dB
Source Impedance	50			Ω
Load Impedance	50			Ω
Ambient Temperature	25			$^{\circ}\text{C}$

MAXIMUM RATINGS

Parameter	Min	Max	Units
Storage Temperature Range	-40	85	$^{\circ}\text{C}$
Operating Temperature	-30	80	$^{\circ}\text{C}$
Input Power Level	-	+10	dBm
DC Voltage	-	3	V

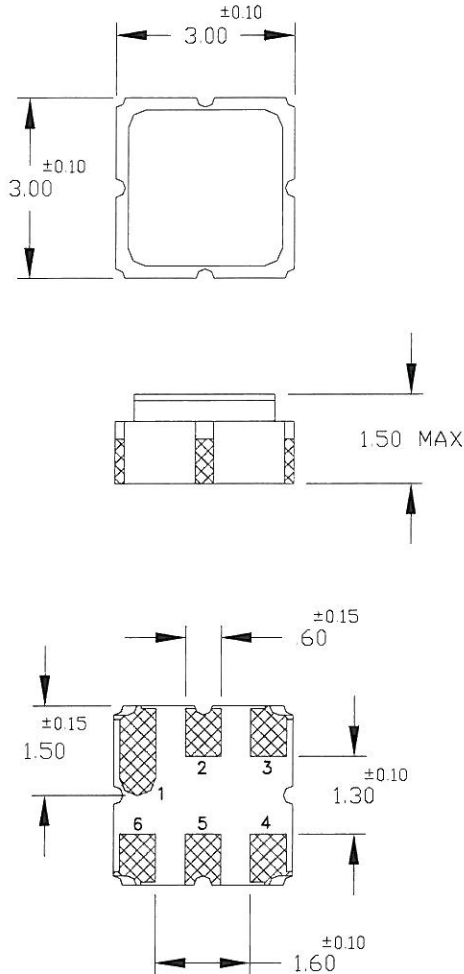
MATCHING CIRCUIT



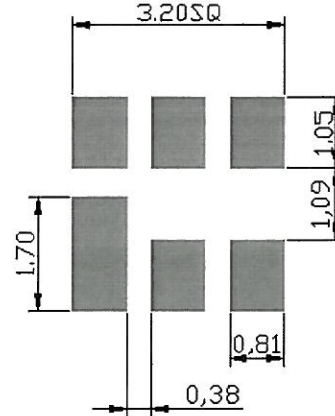
Notes:

- External matching components are not required.
- Device is intended to operate in a 50 Ω single ended system.

PACKAGE OUTLINE



SUGGESTED FOOTPRINT



Units: mm

Tolerances are typically ± 0.15 mm except where indicated.

Pad Configuration:

Input: 2
Output: 5
Ground: 1,3,4,6

Package Material:

Body: Al_2O_3 ceramic
Lid: Kovar, Ni plated
Terminations: Au plating 1 μ m min, over a 1.3-8.9 μ m Ni plating

MARKING



All specifications are believed to be accurate and reliable. However, Spectrum Microwave reserves the right to make changes without notice.
© 2011 All rights reserved.