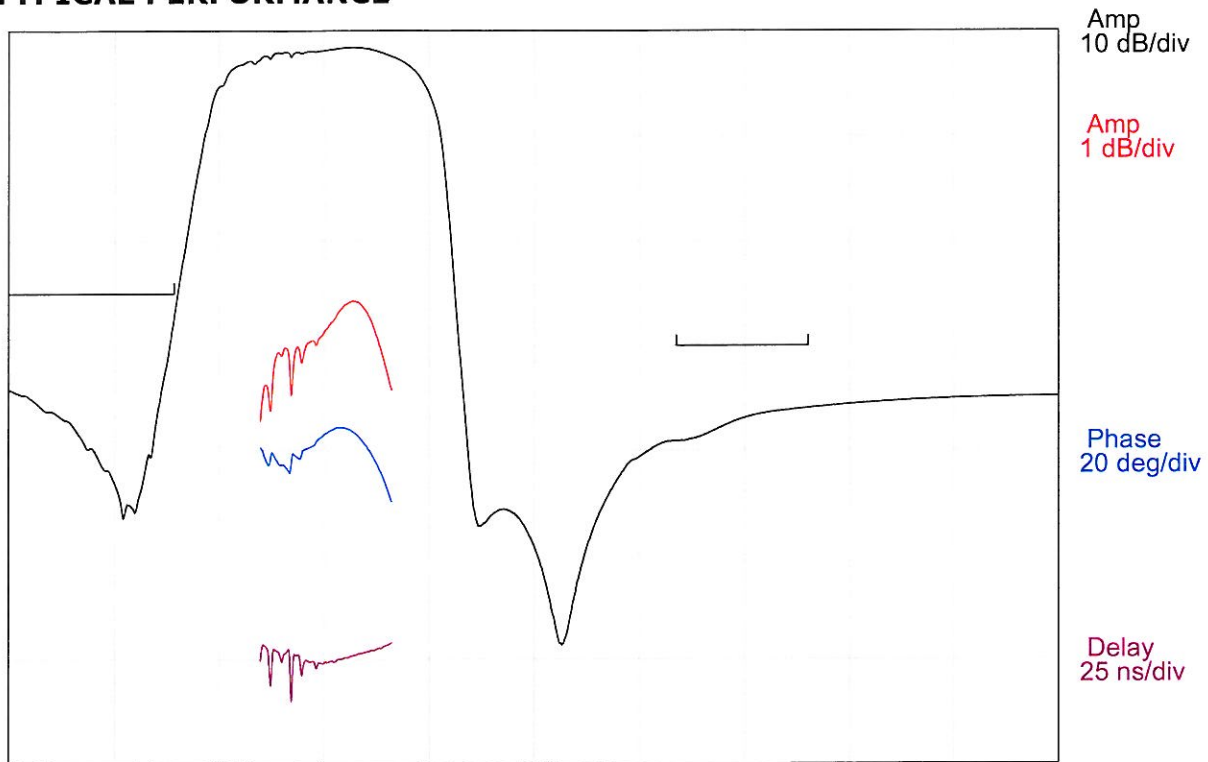


DESCRIPTION

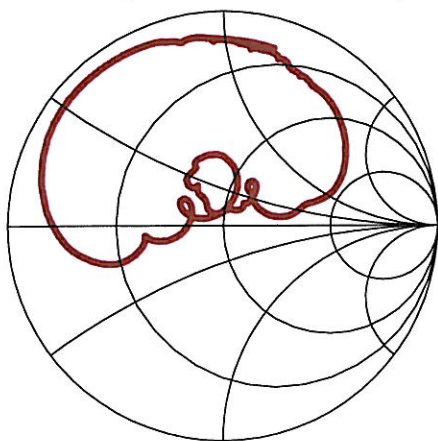
- 1950 MHz SAW bandpass filter with 60 MHz bandwidth.
- 2.5 x 2 mm ceramic LCC package, 4 pads.
- RoHS compliant.

TYPICAL PERFORMANCE

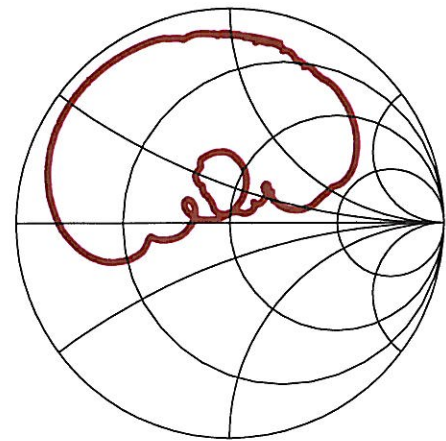


Center = 2045 MHz, 48 MHz/div (300 kHz incr)

S11 (1805-2285 MHz)



S22 (1805-2285 MHz)



SPECIFICATION

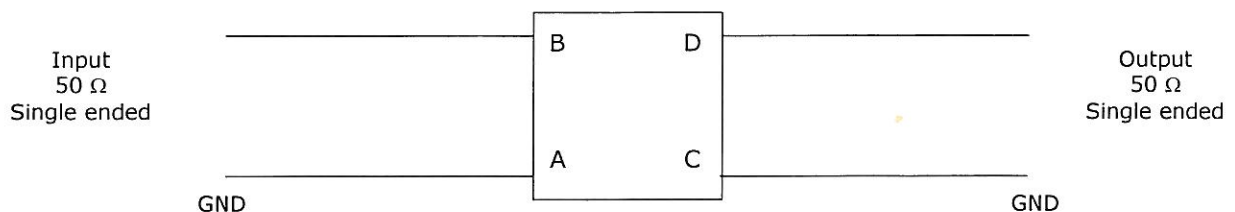
Parameter	Min	Typ	Max	Units
Center Frequency, F_c ¹	-	1950	-	MHz
Insertion Loss (1920-1980 MHz)	-	2.8	3.4	dB
Amplitude Ripple (1920-1980 MHz) ²	-	1.2	2	dB p-p
3 dB Bandwidth ²	-	95	-	MHz
Attenuation (1805-1880 MHz) ²	25	27	-	dB
Attenuation (2110-2170 MHz) ²	30	35	-	dB
Attenuation (1135-1145 MHz) ²	25	28	-	dB
Attenuation (1705-1715 MHz) ²	25	29	-	dB
Attenuation (2300-2360 MHz) ²	30	33	-	dB
Attenuation (2490-2550 MHz) ²	30	34	-	dB
Attenuation (2680-2740 MHz) ²	30	33	-	dB
Attenuation (3060-3120 MHz) ²	30	35	-	dB
Attenuation (3840-3960 MHz) ²	30	34	-	dB
Input VSWR (1920-1980 MHz)	-	2	2.6	:1
Output VSWR (1920-1980 MHz)	-	2	2.6	:1
Source and Load Impedance	50			Ω
Ambient Temperature	25			$^{\circ}\text{C}$

- Notes: 1. Reference frequency. Computed as mean of the 3 dB frequencies.
2. All dB values are referenced to 0 dB.

MAXIMUM RATINGS

Parameter	Min	Max	Units
Storage Temperature Range	-40	85	$^{\circ}\text{C}$
Operating Temperature Range	-20	75	$^{\circ}\text{C}$
DC Voltage	-	0	V
Input Power Level	-	+10	dBm

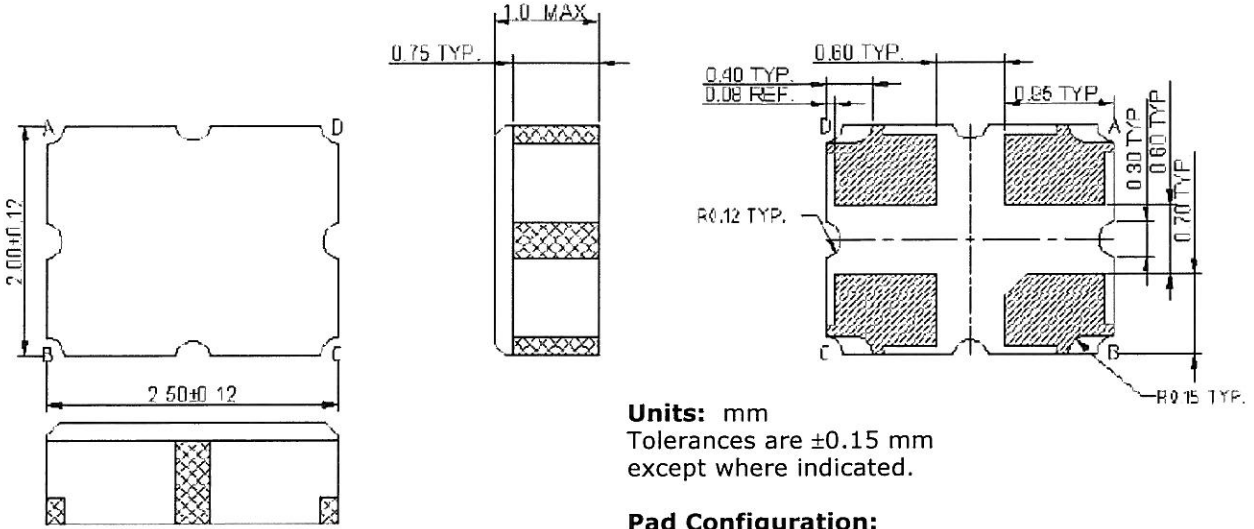
MATCHING CIRCUIT



Notes:

- 1) No external matching components are necessary.
- 2) Input and output are to operate in a single-ended 50 Ω impedance system.

PACKAGE OUTLINE



Units: mm
 Tolerances are ±0.15 mm
 except where indicated.

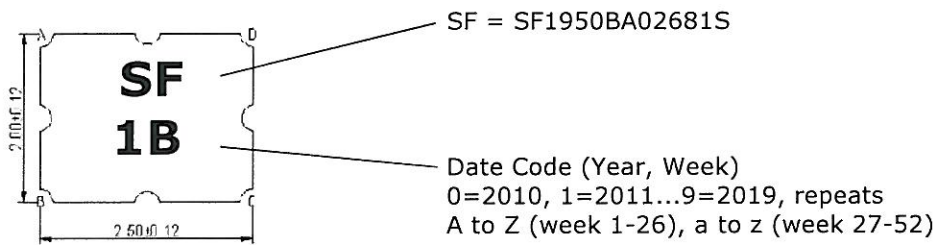
Pad Configuration:

Input: B
 Output: D
 Ground: A, C

Package Material:

Body: Al₂O₃ ceramic
 Lid: Kovar, Ni plated
 Terminations: Au plating 1 µm min,
 over a 1.3-8.9 µm Ni plating

MARKING



All specifications are believed to be accurate and reliable. However, Spectrum Microwave reserves the right to make changes without notice.
 © 2011 All rights reserved.