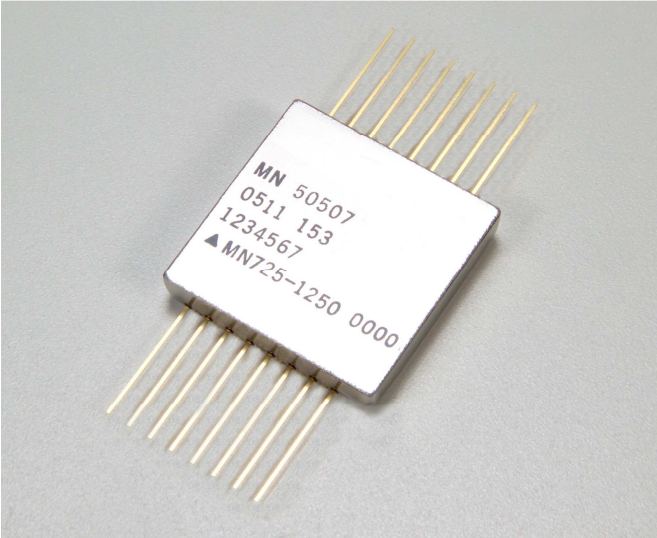


Voltage Controlled SAW Oscillator MN725-1250.0000



DESCRIPTION

The MN725-1250.0000 Voltage Controlled SAW Oscillator (VCSO) is a member of Spectrum Microwave MN725 series of high performance low noise SAW oscillators designed for the military applications.

The hermetic kovar package and rugged hybrid construction provide low vibration sensitivity and performance over a wide operating temperature range.

The highly repeatable and linear tuning range makes the MN725 family of VCSOs ideal for phase locked applications.

The design is based upon a fundamental VCSO in the 375 MHz to 750 MHz frequency range that is frequency multiplied by 2 to provide output frequencies in the 750 MHz to 1500 MHz range.

FEATURES

- Low phase Noise
 - -103 dBc/Hz at 1 kHz
- Low vibrations sensitivity
 - 2×10^{-9} per g
- Hermetic Kovar package
 - 1.0" x 1.0" x .2" SMT
- -55°C to 100°C operating range
- Rugged design for military applications

APPLICATIONS

- Phase Lock Loops
- Local Oscillators
- Low Noise Clocks
- Clock recovery

ABSOLUTE MAX RATINGS

Operating Temperature: -55°C to 100°C
Storage Temperature: -55°C to 125°C
Power Supply Voltage: 13V
Tuning Voltage: -2V to +6 V



MN725-1250.0000

Product Data Sheet

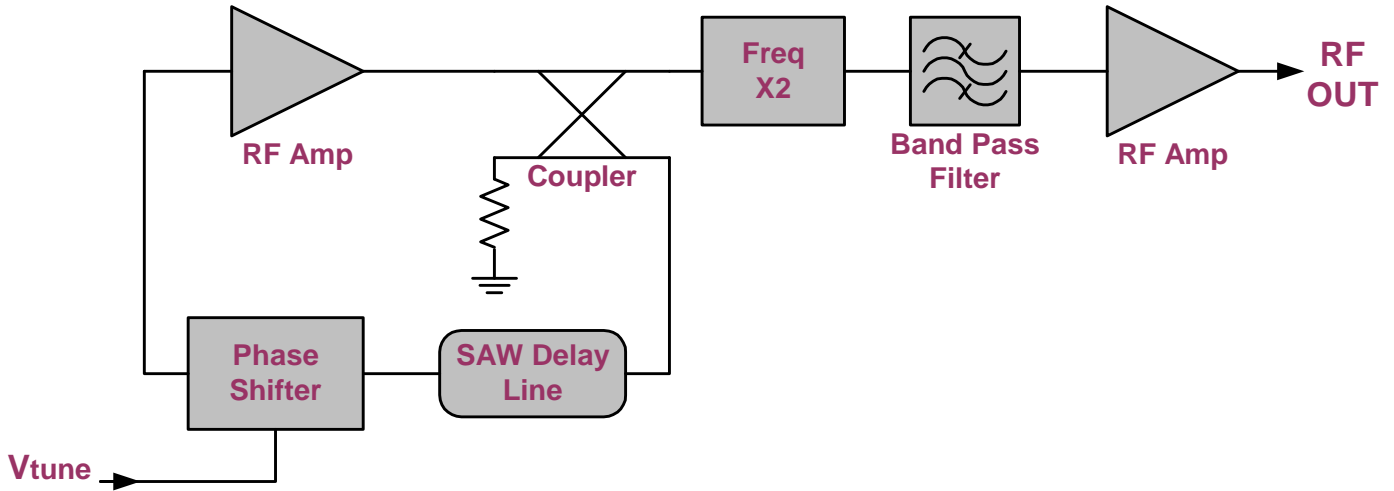
Revision 022210

SPECIFICATIONS

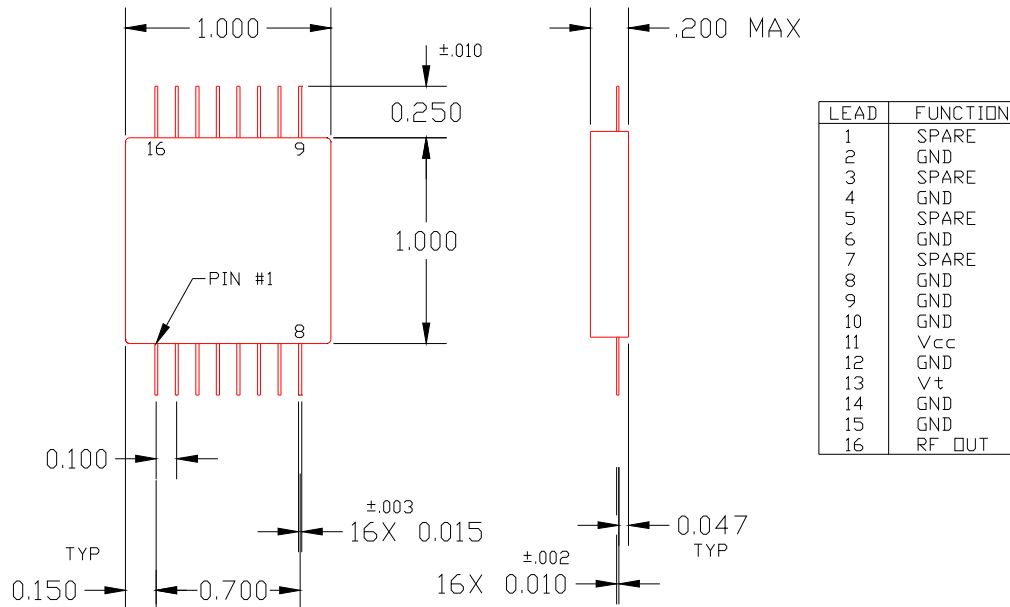
Specifications apply at Vcc = 8.0V and Tcase = 25°C unless otherwise specified

Parameter	Minimum	Typical	Maximum	Units	Notes
Center Frequency Range		1250		MHz	Other frequencies available (750 MHz to 1500 MHz)
Tuning Range		700		ppm	Vtune = 0.0V to 5.0V
Kvco		140		ppm/V	
Tuning Linearity	-5		5	%	Deviation from best linear fit
Output Power	8	10	12	dBm	-55°C to 100°C
Harmonic Spurious			-30	dBc	
Sub-harmonic Spurious			-25	dBc	
Non-harmonic Spurious			-60	dBc	
SSB Phase Noise					
$\Delta f = 1 \text{ Hz}$		-103		dBc/Hz	
$\Delta f = 10 \text{ kHz}$		-126		dBc/Hz	
$\Delta f = 100 \text{ kHz}$		-146		dBc/Hz	
$\Delta f = 1 \text{ MHz}$		-154		dBc/Hz	
$\Delta f = 10 \text{ MHz}$		-156		dBc/Hz	
Vcc	7.6	8	8.4	Volts	Consult Factory for other available Vcc
Icc		120	150	mA	
Operating Temperature	-55		100	°C	Case temperature

BLOCK DIAGRAM



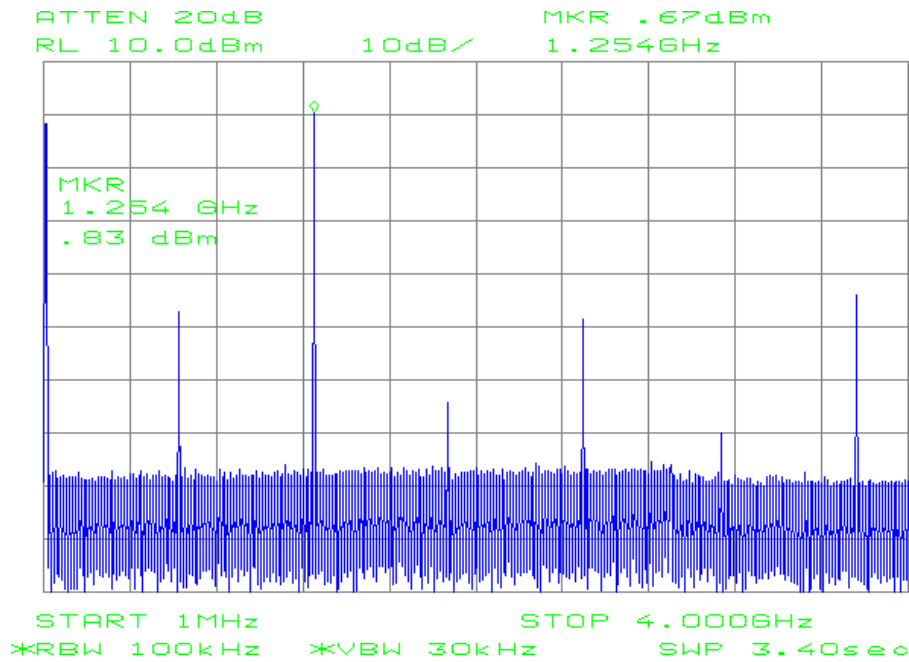
OUTLINE DRAWING



PHASE NOISE and SPURIOUS DATA



Typical MN725-1250.0000 SSB Phase Noise



MN725-1250.0000 Output Spectrum from 1 MHz to 4 GHz